

**PRODUCT**

**Standard recovery diodes**



**STANDARD RECOVERY DIODES (Stud version)**

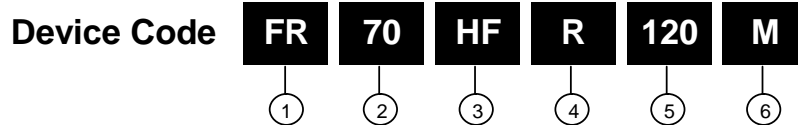
**Features**

- High surge current capability
- Stud cathode and stud anode
- version Wide current range
- Metric device version available

**Typical Applications**

- Battery charging
- Converters
- Power supplies
- Machine tool control
- Welder
- Motor control

**Ordering Information Table**



1. None = Standard recovery diodes; FR = Fast recovery diodes.
  2. Current code =  $I_{F(AV)}$
  3. Standard device F = DO-4 case 6A-25A; HF = DO-5 case 30A-85A; U = DO-8 and DO-9 case 100A-300A
  4. None = Stud Normal Polarity (cathode to stud) R = Stud Reversed Polarity (anode to stud)
  5. Voltage code =  $\times 10 = V_{RRM}$
  6. None = Standard inch Device; M = Metric Device
- Note: For metric Devices please contact factory

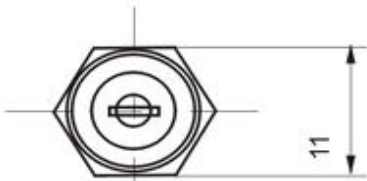
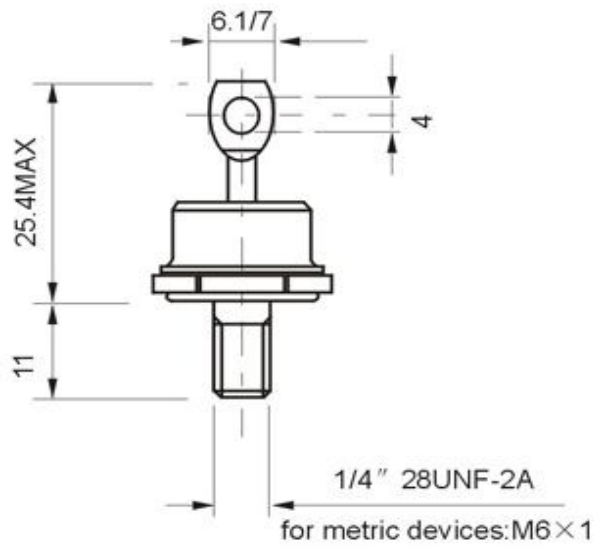
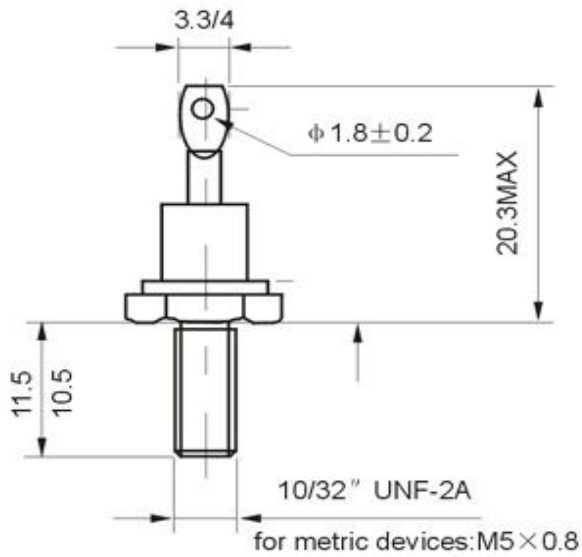


**Type Standard Recovery Diode(Stud Version)**

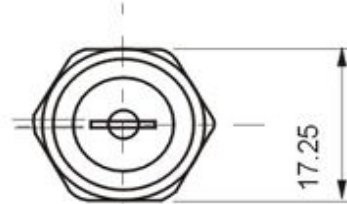
Type	$I_{F(AV)}$ $T_{HS}55^{\circ}C$ A	$V_{FM}/I_{FM}$ $25^{\circ}C$ V		$I_{F(RMS)}$ A	$V_{(RMS)}$ A	$I_{(RMS)}$ mA	$R_{jc}$ $^{\circ}C/W$	$T_j$ $^{\circ}C$	Mountin		Outline
									Torque	n/M	
6F ( R )	6	1.1	18	9.0	200-1000	$\leq 6$	$\leq 2.0$	-40 $^{\circ}C$ - +125 $^{\circ}C$	$\leq 1.0$	DO-4	
12F ( R )	12	1.25	36	19.0	200-1000	$\leq 6$	$\leq 1.2$		$\leq 1.0$		
16F ( R )	16	1.25	48	25.0	200-1000	$\leq 12$	$\leq 1.2$		$\leq 1.0$		
25F ( R )	25	1.1	75	40.0	200-1000	$\leq 12$	$\leq 1.2$		$\leq 1.0$		
30HF ( R )	30	1.3	90	48.0	200-1200	$\leq 10$	$\leq 0.8$		$\leq 2.0$	DO-5	
40HF ( R )	40	1.3	120	64.0	200-1200	$\leq 10$	$\leq 0.8$		$\leq 2.0$		
50HF ( R )	50	1.4	150	80.0	200-1200	$\leq 10$	$\leq 0.8$		$\leq 2.0$		
60HF ( R )	60	1.4	180	96.0	200-1200	$\leq 12$	$\leq 0.6$		$\leq 2.0$		
70HF ( R )	70	1.45	210	112.0	200-1600	$\leq 12$	$\leq 0.5$		$\leq 2.0$	DO-8/DO-30	
85HF ( R )	85	1.45	255	136.0	200-1600	$\leq 12$	$\leq 0.4$		$\leq 2.0$		
100U ( R )	100	1.8	300	160.0	200-1600	$\leq 15$	$\leq 0.3$		$\leq 12$		
150U ( R )	150	1.5	450	240.0	200-1600	$\leq 15$	$\leq 0.3$		$\leq 12$	DO-9	
200U ( R )	200	1.3	600	320.0	200-1800	$\leq 20$	$\leq 0.2$		$\leq 12$		
250U ( R )	250	1.35	750	400.0	200-1800	$\leq 20$	$\leq 0.15$		$\leq 25$		
300U ( R )	300	1.35	900	480.0	200-1800	$\leq 20$	$\leq 0.15$		$\leq 25$		

QUALITY COME FROM SPECIALITY

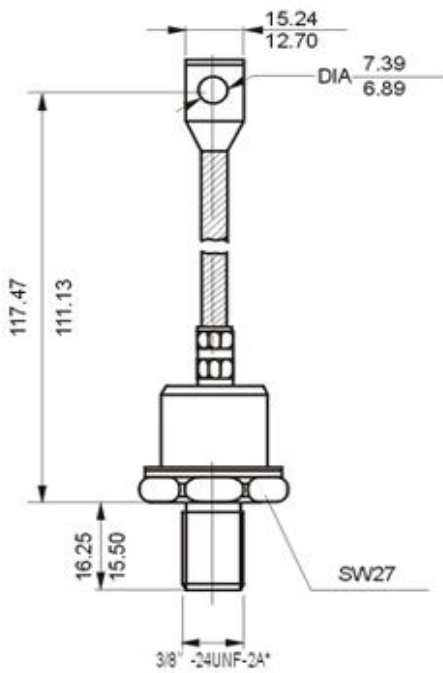
Welcome to our website



DO-4

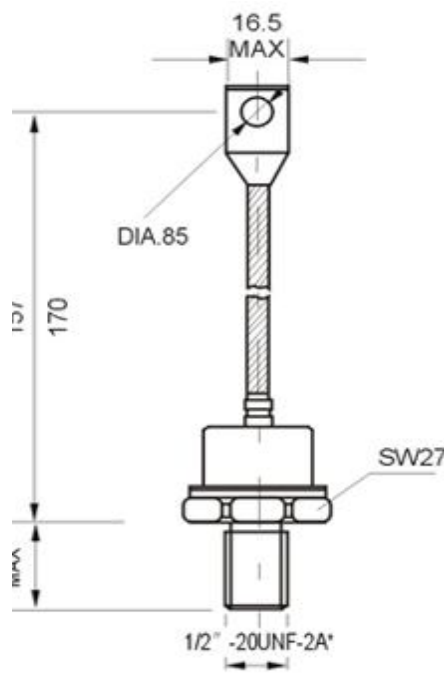


DO-5



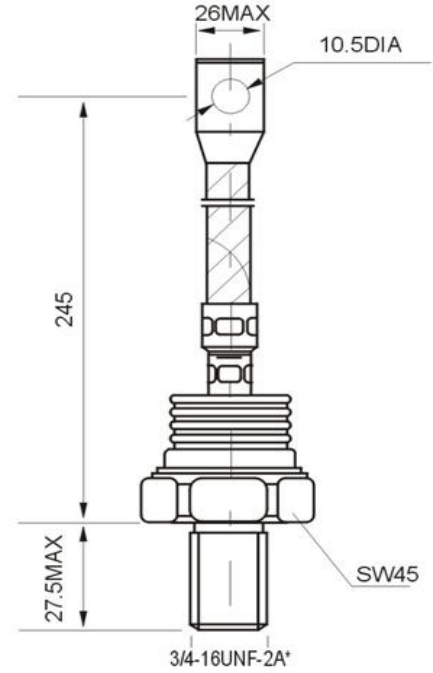
For metric device:  $M12 \times 1.75$

DO-8



\*FOR METRIC DEVICE:  $M12 \times 1.75$

DO-30



\*FOR METRIC DEVICE:  $M20 \times 1.5 / M24 \times 1.5$

B-8