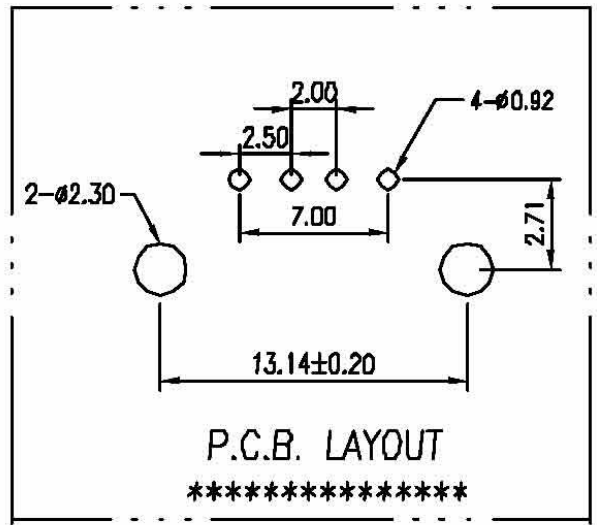
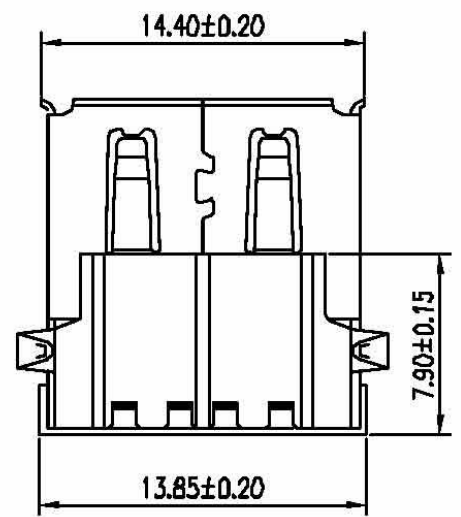
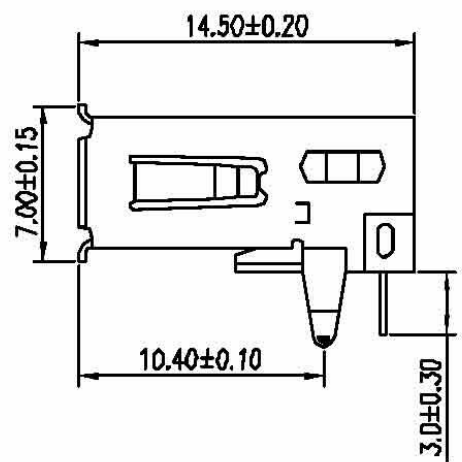
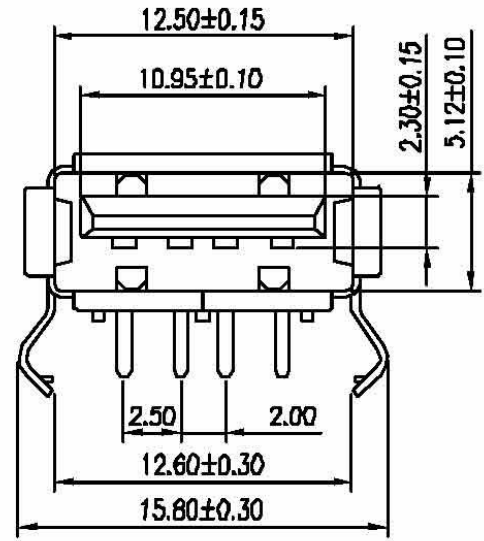


REV.	ECN NO	LOCATIONS	DESCRIPTION	DATE	REVISER	APPD



Note:

1. Material:
 - 1.1 Insulator: P.B.T G.F UL 94-V0 rated.
 - 1.2 Contact: Brass, t=0.25mm.
 - 1.3 Shell: Brass, t=0.30mm.
2. Specification:
 - 2.1 Rated voltage and current: 1.5A at 250V AC minimum.
 - 2.2 Dielectric withstanding voltage: 500V AC/1 minute without breakdown.
 - 2.3 Contact resistance: Before life test 30m ohm max, After life test 50m ohm max.
 - 2.4 Insulation resistance: 1000M ohm min.
 - 2.5 Insertion force: 35 Newtons maximum.
 - 2.6 Extraction force: 10 Newtons minimum.
 - 2.7 Solderability: Terminal shall be immersed in flux before test. Then dip in molten solder for 5±0.5 sec. At 245±5°C.
3. Finishes:
 - 3.1 Contacts: Gold flashed 1u", 3u", 5u", 10U", 15u", 30u".
 - 3.2 Shell: Nickel plated.

No.	Name	Q'ty	Material	Remarks & Thickness	Finish
3	Shell	1	Brass	T=0.30mm	Nickel Plated
2	Contact	4	Brass	T=0.25mm	Gold Flashed
1	Housing	1	P.B.T	UL 94-V0	Black/Ivory

PART NO: Y99000		MATERIAL:			
MODEL NO:		FINISH:			
UNIT: mm	SIZE: A4	GOLD:	PART NAME: USB-A TYPE P.C.B(F) 90'		
TOLERANCE UNSPECIFIED		DR: '08/04/18			
.x	±0.3	CHK: '08/04/18	DWG NO: S/A-293		REV: A0
.xx	±0.20	APP: '08/04/18	SCALE: 3:1	SHEET: 1 of 1	
.xxx	±0.100				
ANG	±1°				