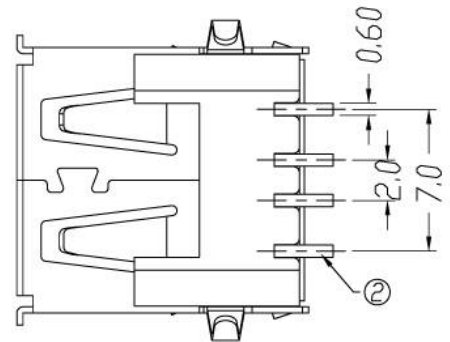
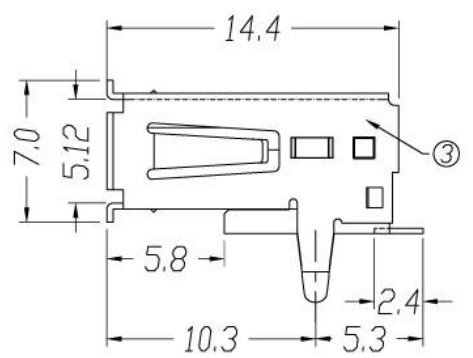
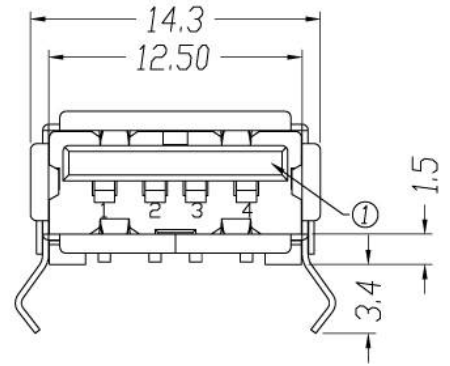
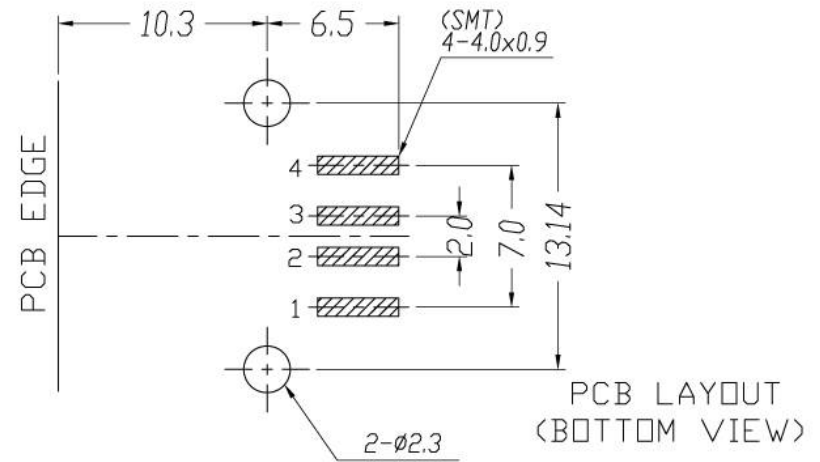


| | | | |
|-----|------|----------|------|
| REV | ZONE | REVISION | DATE |
| | | | |
| | | | |



Specification:
Contact Resistance: 30m Ohm Max.
Insulation Resistance: 1000M Ohm Min. At 500VDC.
Rated Voltage And Current: 1.5A At 250VAC Minimum.
Dielectric Withstanding Voltage:
750V AC (rms) for 1 Minute(Rev. 1.1)
Durability (Life Test): 1500 Cycles
Insertion Force: 35 Newton Maximum.
Extraction Force: 10 Newton Minimum.



| NO. | NAME | MATERIAL | FINISH | Q'TY | REMARK |
|-----|----------|---------------------|-----------------|------|---|
| 1 | HOUSING | NYLON PA9T G.F. | WHITE | 1 | |
| 2 | TERMINAL | PHOS. BRONZE T:0.25 | GOLD/TIN PLATED | 4 | Gold:1~3u"; NI:40~60u"; TIN:120u" (100% pure Tin of lead free plating) |
| 3 | SHELL | BRASS T:0.3 | NICKEL PLATED | 1 | Ni:80~120u" |

| | | | | | | | | | | |
|-----------|--|--------|--|----------------------|------|----------|---|---------------------------|----------|------|
| MODEL | | Y98999 | | COMPUTER NO. | | UNIT | SCALE | PART NAME | | |
| | | | | D:\DWG\KS-001H-A1W-L | | mm | 1:1 | USB A TYPE FLAT 4 PIN-SMT | | |
| PAGE 1 OF | | 1 | | APPD. | CKD. | DWG. | DATE | TOLERANCE | PART NO. | REV. |
| | | | | TINA | | 15-09-10 | X. ±0.38 .X ±0.25 .XX ±0.13 .XXX ±0.05 | | A0 | |