



东莞市兴永奇电子科技有限公司

APPROVAL SHEET

Customer:

Customer P/N:

SNOWFAN Model NO.: **XD8025B12M**

SNOWFAN P/N:

Version.: **0** Sample NO.:

Issue date: Quantity: **0** PCS

***Please sign back this specification for our record upon your approval. Thanks!**

Company Stamp
.....
制作：黄 迅
复核：黄 迅
核准：黄 迅

Customer approval Stamp
.....
承认：
核准：
日期：

地址：广东省东莞市凤岗镇龙平西路84号1号楼6楼

电话：15112564441

E-Mail: 737756076@qq.com

1.0 一般规格 (General Specification)

项目 Item		规格/条件 Specification/Condition
1	型号 Model No.	XD8025B12M
2	外型尺寸 Outline. Dimension	80*80*25mm
3	工作电压 Operating Voltage	DC7.0 ~ 13.5V
4	额定电压 Rated .voltage	DC12V
5	启动电压 Starting Voltage	DC ≤7.0V on/off
6	额定电流 Rated current	0.2A
7	消耗功率 Power consumption	2.4W
8	转速 Speed	3000±15%RPM
9	风量 Airflow AT ZERO STATIC PRESSURE	36.46CFM
	静压 Air .Static Pressure AT ZERO AIRFLOW	3.59mmH2O
10	噪音标准 Noise Level	33.8dB-A
11	期望寿命 Life expectancy	70000 hrs at temp40°C Humidity5% ~ 95%
12	扇叶数 No.of.Blade	7 叶
13	极数 No.of.Pole	4 极
14	运转方向 Rotating Direction	顺时针/运转方向是从标签面看
15	锁住保护 Lock Protection	无 NO
16	极性保护 Polarity Protection	VCC与GND反接时 不导通. Open circuit when Vcc & GND are exchanged.
17	过压保护 Over voltage protelt	无 NO
18	过流保护 Over current protection	无 NO
19	恒速功能 fixed constant speed Function	无 NO
20	软启动 Soft Starting	无 NO
21	PWM 功能 PWM function	无 NO
22	PQ 曲线 PQ curve	

2.0:主要材料/零件规格 (Main Materials/parts Specification)

材料/零件 Materials/parts		规格 Specification		
1	塑料材料/ 外框扇叶 Plastic Material/ Frame impeller	扇框: PBT 黑色方框		
		扇叶: PBT 黑色 7 叶		
2	轴承 Bearing Type	滚珠轴承 Ball Bearing (HY)		
3	引线 Lead Wire	UL1571#28#黑红分线		
4	端子 Connector	无端-2P		
		黑	红	
		GND	VCC	
5	环保要求 Environmental Requirement	<input checked="" type="checkbox"/> ROHS	<input type="checkbox"/> 无卤	<input type="checkbox"/> REACH

3.0 电性规格 (Electrical Specifically)

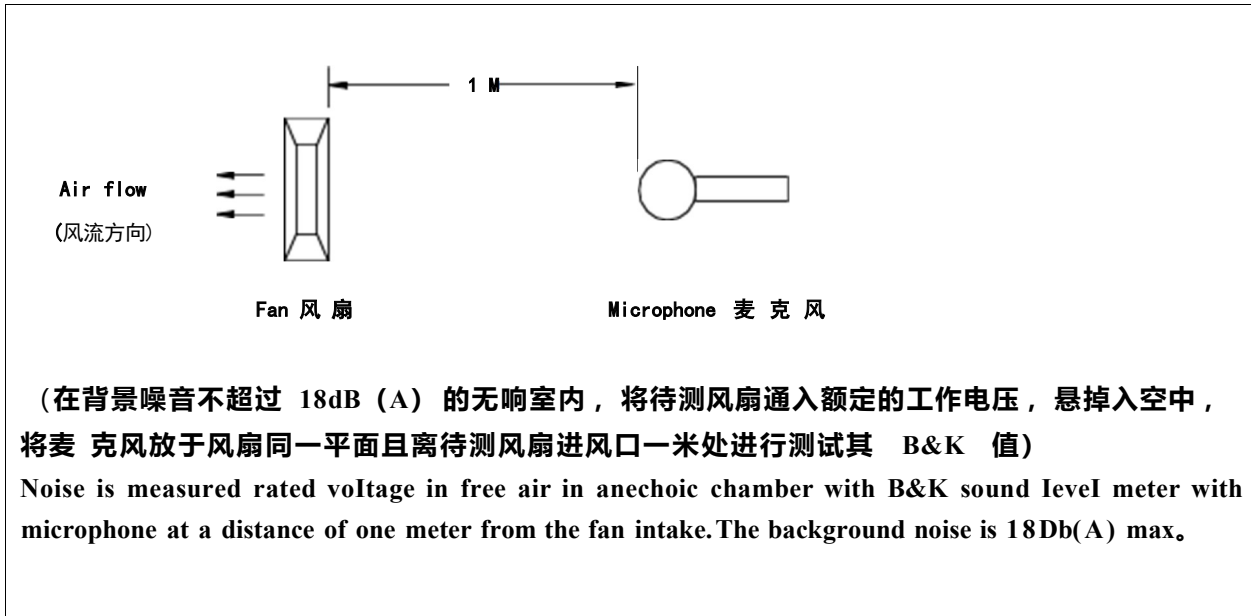
1	绝缘阻抗 Insulation Resistance	10MΩ/裸线与外框间测量, 500VDC/min 10MΩ/between unshackled wire and frame at 500VDC/min
2	绝缘耐压 Dielectric Strength	5Ma Max./导线与外框间测量, 500VAC/min 5Ma Max./Measured between lead wire(+)and frame at 500VAC/min
3	防水等级 Waterproof level	IP XO

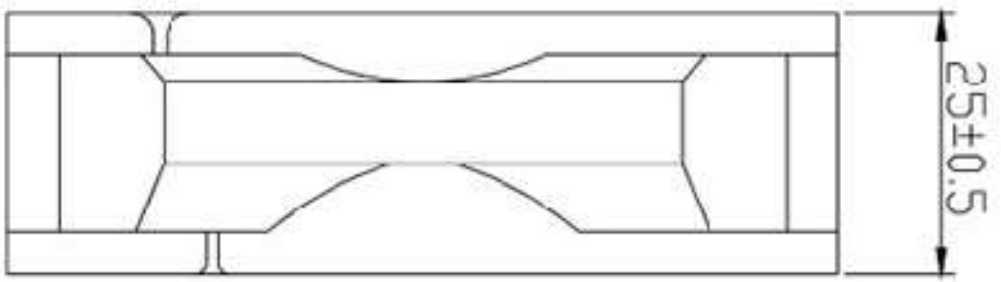
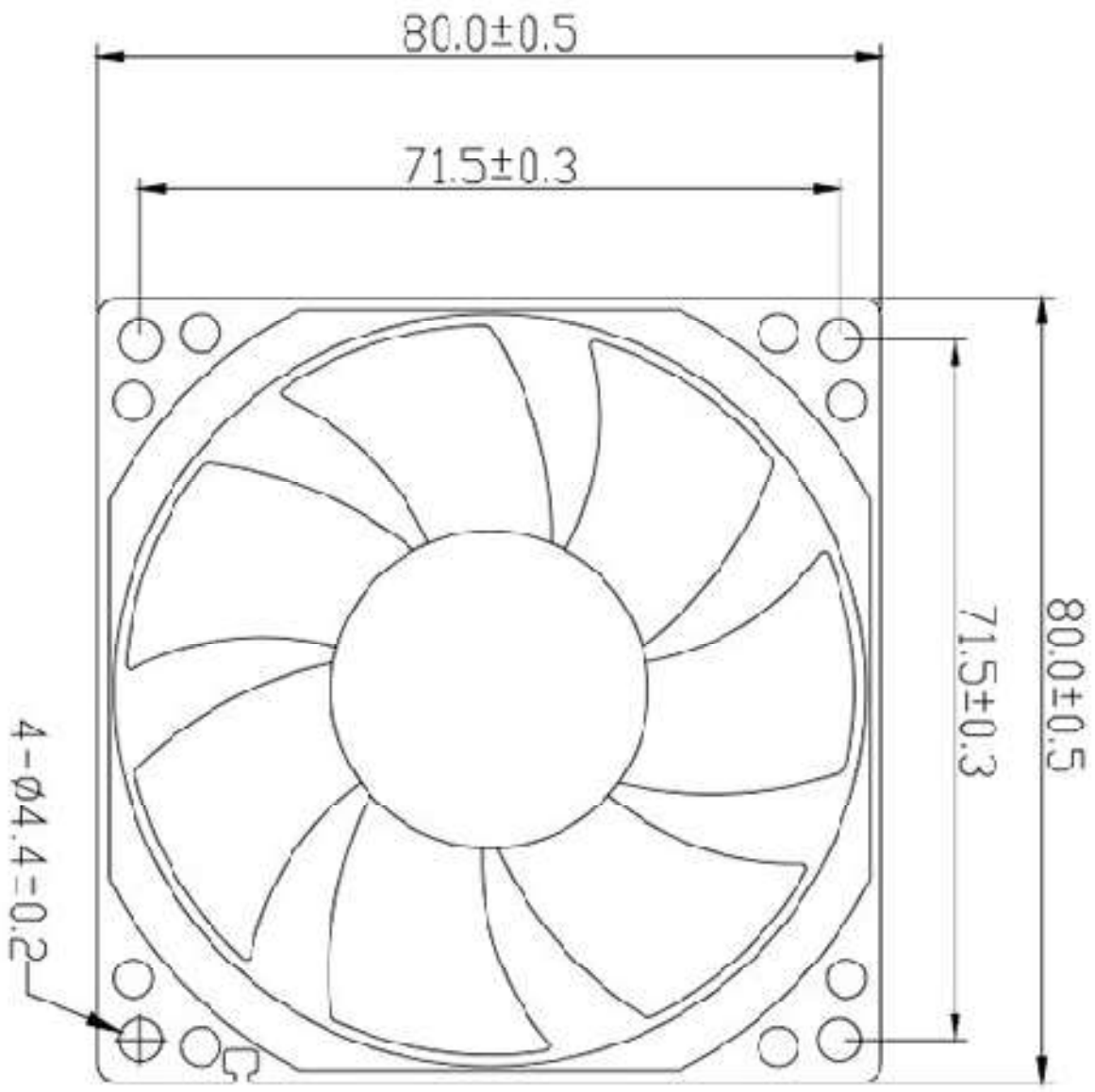
4.0 环境测试 (Environmental Specification)

1	运转温/湿度范围 Operating Temp .Range	温度/Temperature:-10°C ~ 70°C 湿度/Humidity:5% ~ 95%RH
2	保存温/湿度范围 Storage Temperature	温度/Temperature:-40°C ~ +75°C 湿度/Humidity:5% ~ 95%RH
3	耐湿性 Humidity	电气规格依据 MIL-STD 202F Method 103B 湿度: 95%RH 温度: 40±2°C
4	热冲击 Thermal Shock	电气规格依据 MIL-STD 202F Method 107D Per MIL-STD 202F Method 107D,Condition D
5	绝缘阶段 Insulation Shock	UL: A 级 UL: Class A
6	包装耐振动试验 Packing Vibration Test	包装后, XYZ 三方向施 3.2G load vibration test for 30min .No serious damage
7	包装耐冲击试验 Packing Shock Proof Test	捆包后, 高 60 公分, 1 棱角 3 边 6 面自然落下, 无严重损坏. 1corner,3edges, 6faces natural drop from 60cm high packing No serious damage

5.0 在无响室额定电压下之噪音测试

(Noise is measured at rated voltage in anechoic)





注意事项 (NOTES)

1 Before use, make sure the supply voltage to meet the use of the product range, line-powered load exceeds the maximum power consumption of this product

120%. And the voltage is stable without clutter

(使用前，确认供电电压能满足本产品的使用范围，供电电路负载超过本产品的最大功耗的120%。且电压是稳定不含杂波干扰)

2 Please when ventilator circular telegram normal work do not use the hand to bump touches fan blade border

(请在风扇通电正常运转时不要用手碰触扇叶边沿)

3 Please do not touch the impeller and never carry the fan the lead wires. The bearings and the lead wires may be damaged. Additionally, static electricity may damage the intemal circuits of the fan

(请不要碰触扇叶和拉扯线材，以免损坏轴承及导线。此外,静电可能损坏内部的风扇组件)

4 Please do not use the fan in the environment of corrosive gas or liquid.

(请不要将风扇置于腐蚀的气体和液体内)

5 Please do not store the an in the environmet of high humidity. Please avoid storage of the fan over 6months. For long term storage, please connect power to the fan shortly every 6 months even through the fan is stored in room temperature.

(请不要将风扇储存在高湿度的环境中，请尽量避免将风扇储存期超过6个月。如果要长期储存，请将其在室温的环境下。且每隔6个月须上电源让风扇短时间运转。)



Shenzhen LH Testing Technology Co., Ltd.

106 and 107, building B15, Yintian Industrial Zone, Yantian community,
Xixiang street, Bao'an District, Shenzhen

Tel: +0755-23217660 Email: lihancert@163.com www.lh-cert.com

CERTIFICATE OF CONFORMITY

No.: LH-240411012220

Applicant : Dongguan Xingyongqi electronic Technology Co., Ltd.
Address : Room 601, Building 1, 84 Longping West Road, Fenggang Town, Dongguan City, Guangdong Province
Manufacturer : Dongguan Xingyongqi electronic Technology Co., Ltd.
Address : Room 601, Building 1, 84 Longping West Road, Fenggang Town, Dongguan City, Guangdong Province
Product : Dc Fan
Brand Name : XYOQIFAN
Model(s) : XD8025B12M, XD2006, 2007, 2010, 2510, 3007, 3010, 3015, 4007, 4010, 4015, 4020, 4028, 5010, 5015, 5020, 5025, 6010, 6015, 6020, 6025, 6028, 6038, 7010, 7015, 7020, 7028, 7038, 7530, 8010, 8015, 8017, 8020, 8025, 8030, 8038, 9015, 9020, 9225, 9238, 9733, 10025, 12015, 12025, 12032, 12038, 14025, 14038, 14050, 15050, 17251, 18060, 20060, 22060, B05H, B12H, B24H, B36H, S05M, S12M, S24M, S36M
Test Standard(s) : IEC 62321-1: 2013, IEC 62321-2: 2013, IEC 62321-3-1: 2013, IEC 62321-5: 2013, IEC 62321-4:2013+AMD1:2017, IEC 62321-6: 2015, IEC 62321-7-1:2015, IEC 62321-7-2: 2017, IEC 62321-8: 2017.

The EUT described above has been examined by us with the listed standards and found in compliance with the Council RoHS Directive 2011/65/EU & (EU)2015/863. It is possible to use RoHS marking to demonstrate the compliance with the RoHS Directive.

The certificate applies to the tested sample above mentioned only and shall not imply an assessment of the whole production. It is only valid in connection with the test report number: LH-240411012220.

RoHS





Shenzhen LH Testing Technology Co., Ltd.

106 and 107, building B15, Yintian Industrial Zone, Yantian community,
Xixiang street, Bao'an District, Shenzhen

Tel: +0755-23217660 Email: lihangcert@163.com www.lh-cert.com

SUPPLIER'S DECLARATION OF CONFORMITY

No.: LH-240411012219

Applicant : Dongguan Xingyongqi electronic Technology Co., Ltd.
Address : Room 601, Building 1, 84 Longping West Road, Fenggang Town, Dongguan City, Guangdong Province
Manufacturer : Dongguan Xingyongqi electronic Technology Co., Ltd.
Address : Room 601, Building 1, 84 Longping West Road, Fenggang Town, Dongguan City, Guangdong Province
Product : Dc Fan
Brand Name : XYOQIFAN
Model(s) : XD8025B12M, XD2006, 2007, 2010, 2510, 3007, 3010, 3015, 4007, 4010, 4015, 4020, 4028, 5010, 5015, 5020, 5025, 6010, 6015, 6020, 6025, 6028, 6038, 7010, 7015, 7020, 7028, 7038, 7530, 8010, 8015, 8017, 8020, 8025, 8030, 8038, 9015, 9020, 9225, 9238, 9733, 10025, 12015, 12025, 12032, 12038, 14025, 14038, 14050, 15050, 17251, 18060, 20060, 22060, B05H, B12H, B24H, B36H, S05M, S12M, S24M, S36M
Test Standard(s) : **FCC Part 15 Subpart B**

This device complies with Part 15 of the FCC rules, operation is subject to the following two conditions:

- (1) This device may not cause harmful interference
- (2) This device must accept any interference received, including interference that may cause undesired operation.

This is the results of test that was carried out by Shenzhen LH Testing Technology Co., Ltd. From the submitted type samples of the product is conformity with the specification of the respective standards.

It is only valid in connection with the test report number: LH-240411012219.





Shenzhen LH Testing Technology Co., Ltd.

106 and 107, building B15, Yintian Industrial Zone, Yantian community,
Xixiang street, Bao'an District, Shenzhen

Tel: +0755-23217660 Email: lihancert@163.com www.lh-cert.com

CERTIFICATE OF CONFORMITY

No.: LH-240411012218

Applicant : Dongguan Xingyongqi electronic Technology Co., Ltd.
Address : Room 601, Building 1, 84 Longping West Road, Fenggang Town, Dongguan City, Guangdong Province
Manufacturer : Dongguan Xingyongqi electronic Technology Co., Ltd.
Address : Room 601, Building 1, 84 Longping West Road, Fenggang Town, Dongguan City, Guangdong Province
Product : Dc Fan
Brand Name : XYOQIFAN
Model(s) : XD8025B12M, XD2006, 2007, 2010, 2510, 3007, 3010, 3015, 4007, 4010, 4015, 4020, 4028, 5010, 5015, 5020, 5025, 6010, 6015, 6020, 6025, 6028, 6038, 7010, 7015, 7020, 7028, 7038, 7530, 8010, 8015, 8017, 8020, 8025, 8030, 8038, 9015, 9020, 9225, 9238, 9733, 10025, 12015, 12025, 12032, 12038, 14025, 14038, 14050, 15050, 17251, 18060, 20060, 22060, B05H, B12H, B24H, B36H, S05M, S12M, S24M, S36M
Test Standard(s) : EN 55032: 2015/A1: 2020;
EN 55035: 2017/A11:2020.

The EUT described above has been tested by us with the listed standards and found in compliance with the Council EMC Directive 2014/30/EU. It is possible to use CE marking to demonstrate the compliance with the EMC Directive.

The certificate applies to the tested sample above mentioned only and shall not imply an assessment of the whole production. It is only valid in connection with the test report number: LH-240411012218.



May. 08, 2024



Shenzhen LH Testing Technology Co., Ltd.

106 and 107, building B15, Yintian Industrial Zone, Yantian community,
Xixiang street, Bao'an District, Shenzhen

Tel: +0755-23217660 Email: lihangcert@163.com www.lh-cert.com

CERTIFICATE OF CONFORMITY

No.: LH-240411012216

Applicant : Dongguan Xingyongqi electronic Technology Co., Ltd.
Address : Room 601, Building 1, 84 Longping West Road, Fenggang Town, Dongguan City,
Guangdong Province
Manufacturer : Dongguan Xingyongqi electronic Technology Co., Ltd.
Address : Room 601, Building 1, 84 Longping West Road, Fenggang Town, Dongguan City,
Guangdong Province
Product : Ac Axial Flow Fan
Brand Name : XYOQIFAN
Model(s) : XA12038HA2BL, XA6020, 6025, 6030, 6038, 7025, 7038, 8025, 8038, 9225, 9238,
11025, 12025, 12038, 14025, 14038, 15050, 17238, 18060, 20060, 22060, 22580,
28080, 25489, HA1BL, HA2BL, HA3BL, HA1SL, HA2SL, HA3SL, XE
Test Standard(s) : EN IEC 62368-1: 2020/A11: 2020.

The EUT described above has been tested by us with the listed standards and found in compliance with the Council LVD Directive 2014/35/EU, It is possible to use CE marking to demonstrate the compliance with the LVD Directives.

The certificate applies to the tested sample above mentioned only and shall not imply an assessment of the whole production. It is only valid in connection with the test report number: LH-240411012216.





Shenzhen LH Testing Technology Co., Ltd.

106 and 107, building B15, Yintian Industrial Zone, Yantian community,
Xixiang street, Bao'an District, Shenzhen

Tel: +0755-23217660 Email: lihancert@163.com www.lh-cert.com

CERTIFICATE OF CONFORMITY

No.: LH-240411012217

Applicant : Dongguan Xingyongqi electronic Technology Co., Ltd.
Address : Room 601, Building 1, 84 Longping West Road, Fenggang Town, Dongguan City, Guangdong Province
Manufacturer : Dongguan Xingyongqi electronic Technology Co., Ltd.
Address : Room 601, Building 1, 84 Longping West Road, Fenggang Town, Dongguan City, Guangdong Province
Product : Ac Axial Flow Fan
Brand Name : XYOQIFAN
Model(s) : XA12038HA2BL, XA6020, 6025, 6030, 6038, 7025, 7038, 8025, 8038, 9225, 9238, 11025, 12025, 12038, 14025, 14038, 15050, 17238, 18060, 20060, 22060, 22580, 28080, 25489, HA1BL, HA2BL, HA3BL, HA1SL, HA2SL, HA3SL, XE
Test Standard(s) : IEC 62321-1: 2013, IEC 62321-2: 2013, IEC 62321-3-1: 2013, IEC 62321-5: 2013, IEC 62321-4:2013+AMD1:2017, IEC 62321-6: 2015, IEC 62321-7-1:2015, IEC 62321-7-2: 2017, IEC 62321-8: 2017.

The EUT described above has been examined by us with the listed standards and found in compliance with the Council RoHS Directive 2011/65/EU & (EU)2015/863. It is possible to use RoHS marking to demonstrate the compliance with the RoHS Directive.

The certificate applies to the tested sample above mentioned only and shall not imply an assessment of the whole production. It is only valid in connection with the test report number: LH-240411012217.

RoHS





Shenzhen LH Testing Technology Co., Ltd.

106 and 107, building B15, Yintian Industrial Zone, Yantian community,
Xixiang street, Bao'an District, Shenzhen

Tel: +0755-23217660 Email: lihancert@163.com www.lh-cert.com

CERTIFICATE OF CONFORMITY

No.: LH-240411012215

Applicant : Dongguan Xingyongqi electronic Technology Co., Ltd.
Address : Room 601, Building 1, 84 Longping West Road, Fenggang Town, Dongguan
City, Guangdong Province
Manufacturer : Dongguan Xingyongqi electronic Technology Co., Ltd.
Address : Room 601, Building 1, 84 Longping West Road, Fenggang Town, Dongguan
City, Guangdong Province
Product : Ac Axial Flow Fan
Brand Name : XYOQIFAN
Model(s) : XA12038HA2BL, XA6020, 6025, 6030, 6038, 7025, 7038, 8025, 8038, 9225,
9238, 11025, 12025, 12038, 14025, 14038, 15050, 17238, 18060, 20060,
22060, 22580, 28080, 25489, HA1BL, HA2BL, HA3BL, HA1SL, HA2SL, HA3SL,
XE
Test Standard(s) : EN 55032: 2015/A1: 2020;
EN IEC 61000-3-2: 2019/A1: 2021
EN 61000-3-3:2013/A2:2021;
EN 55035:2017/A11:2020.

The EUT described above has been tested by us with the listed standards and found in compliance with the Council EMC Directive 2014/30/EU. It is possible to use CE marking to demonstrate the compliance with the EMC Directive.

The certificate applies to the tested sample above mentioned only and shall not imply an assessment of the whole production. It is only valid in connection with the test report number: LH-240411012215.

