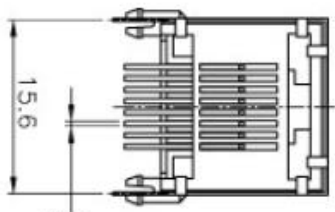
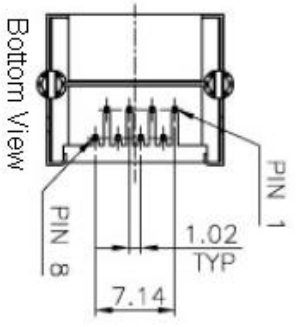
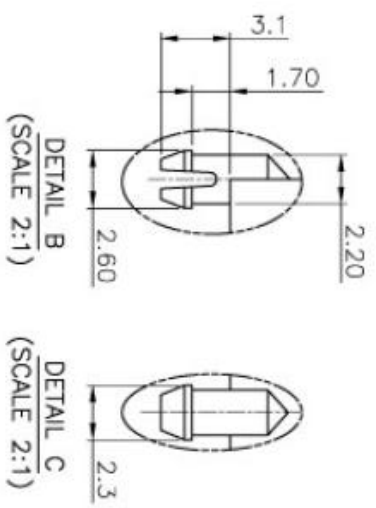
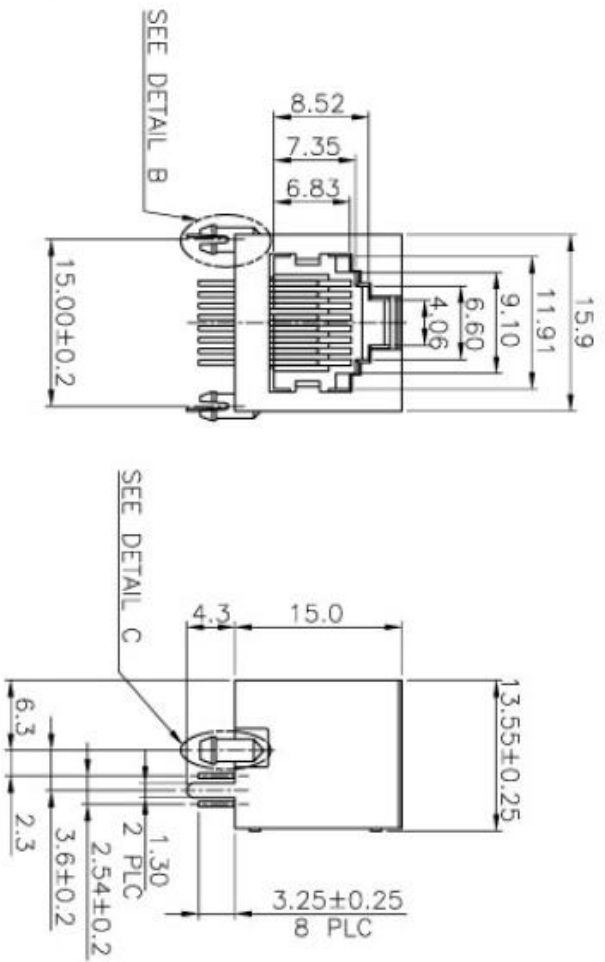


# RoHS Compliance

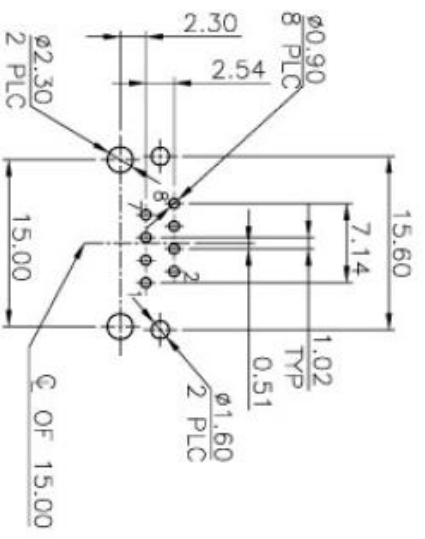
1 2 3 4



NOTE:  
 CAVITY CONFIRMS TO FCC RULES AND REGULATIONS PART 68, SUBPART F.

1. MATERIAL:  
 HOUSING: PBT, WITH GLASS FIBER,  
 UL 94V-0, STANDARD COLOR-BLACK.  
 CONTACTS: PHOSPHOR BRONZE.  
 SHELL: BRASS.

2. FINISH:  
 CONTACTS: GOLD PLATED ON ENTIRE CONTACT,  
 1.27 $\mu$ m [50 $\mu$ ] MIN. NICKEL UNDERPLATED  
 ALL OVER.  
 SHELL: 0.508 $\mu$ m [20 $\mu$ ] MIN. NICKEL PLATED.



RECOMMENDED PCB LAYOUT Top View  
 RECOMMENDED PCB THICKNESS: 1.6mm  
 TOLERANCE:  $\pm 0.05$  (TOP VIEW)

LTR	DESCRIPTION	DATE	APD

THIS DRAWING IS A CONTROLLED DOCUMENT. DO NOT SCALE DRAWING.		DIMENSIONS: MM		TOLERANCES UNLESS OTHERWISE SPECIFIED:	
THIRD ANGLE PROJECTION		0 RC $\pm$		1 RC $\pm 0.25$	
MATERIAL SEE NOTES		1 RC $\pm 0.13$		3 RC $\pm 0.05$	
FINISH SEE NOTES		ANGLES $\pm$			
DRN A.HUANG	DATE AUG-10-2010	TITLE RJ45, MINI LOW PROFILE, WITH SHELL, SIDE ENTRY PCB JACK			
CHK M.CHANG	DATE AUG-10-2010	SIZE A4	CHG CODE -	DRAWING NO X98139SA	
APP W.J.YANG	DATE AUG-11-2010	WEIGHT -	GRAMS Ref.	REV 5	SHEET 1