

1

2

3

4

5

6

7

A

A

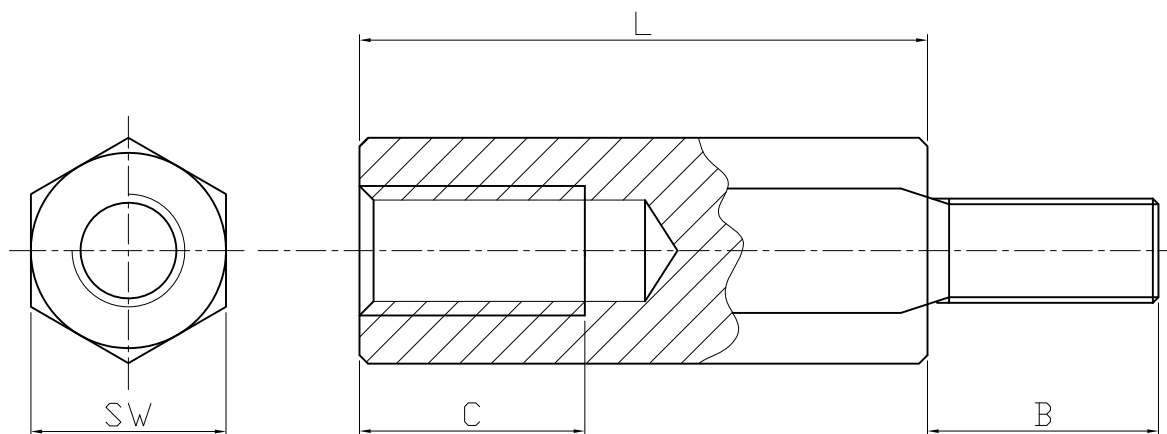
Width across flat(SW)7 ; Thread M4
PU=100 pcs

B

B

C

C



Option	Dimensions		
	L	B	C min
B	8	8	5
C	10	8	6
D	12	8	8
E	15	8	8
F	18	8	8
G	20	8	8
H	25	8	8
K	30	8	8
L	35	8	8
M	40	8	8

D

D


E

E

F

F

RoHS compliant

Scale	1:1					Date	Name	Customer-No.
TOLERANCE					Drawn	20.08.2009	Dean	ASSMANN WSW-No. V6257x
X.	±X				Approved	20.08.2009	Andy	
X.X	±X							
X.XX	±X							
DIM	TOL							Drawing-No.
X.°	±X°							ASS 0907 HS
X.X°	±X°	①	Drawn	20.08.2009	Dean			
Angle	TOL	Id.	Modification	Date	Name			Sheet
								Replace

G

G

H

H

1

2

3

4

5

6

7