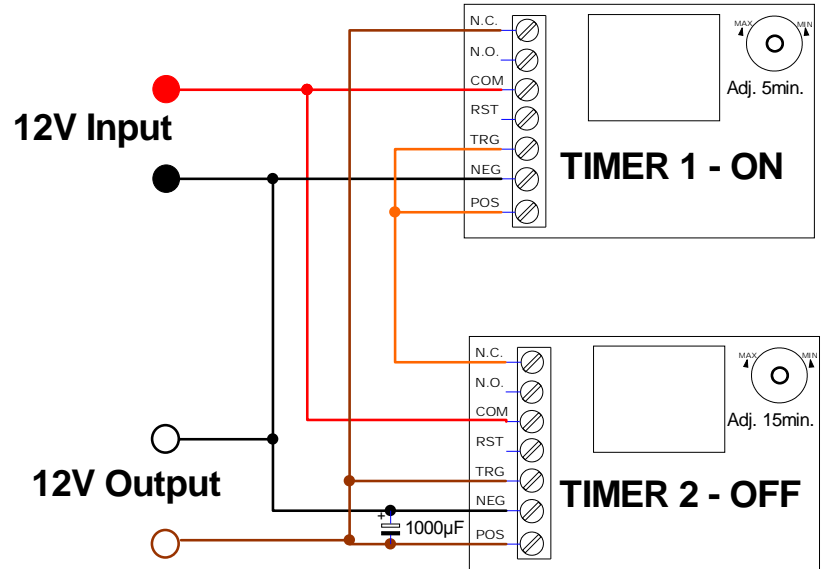


# TIMER UNIVERSAL, Delay ON and Delay OFF

Set both Timers to "Power On Timer" mode.

adj time with L1 and L2 open and set Timer 1 to 3.4sec. and  
Timer 2 to 12.4sec.

Place Jumper on possiion L1 on bothe Timers you should now have  
+- 5min. ON and 15min. OFF.



**MANTECH  
ELECTRONICS**

*International Components Distributor*

COMPANY

MANTECH ELECTRONICS (c)2006

SCHEMATIC

TIMER UNIVERSAL

DESIGNER

MARK MINSHULL

3 NOV 2017

REV 1.1

PAGE 1