



大形アルミニウム電解コンデンサ

LARGE CAN TYPE ALUMINUM ELECTROLYTIC CAPACITORS

◆基板自立形（スナップインタイプ）の自動実装対応 タイプ新トレー包装（φ20～φ35） New Packaging Style of Snap-in Capacitors for automatic insertion(For φ20～φ35 dia.products).

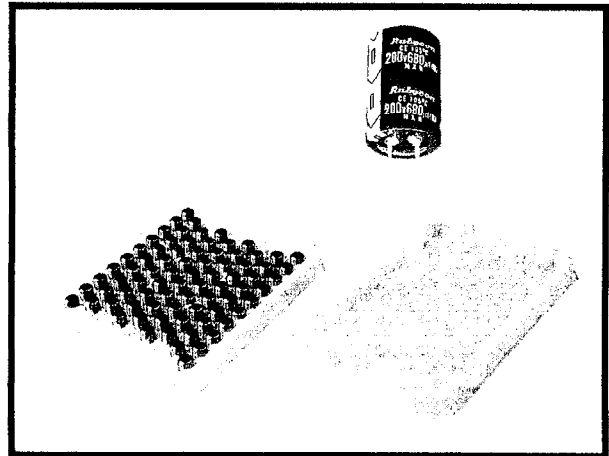
異形部品の自動実装要求に対応する為、ルビコンは自動実装用新トレーを採用しました。

新トレーは、耐衝撃性に優れておりリユース可能です。

極性が揃っているから作業性が向上します。

Rubycon adopted new tray to meet a demand of automatic insertion of deformed components.

New tray is strong to mechanical stresses and reusable. As polarity is aligned by using new tray, operation efficiency is improved.



〈特長〉

- 自動実装対応トレー形状。
- 電解コンデンサの極性を揃えることが可能。
- リユース可能だから廃棄物減少に役立ちます。

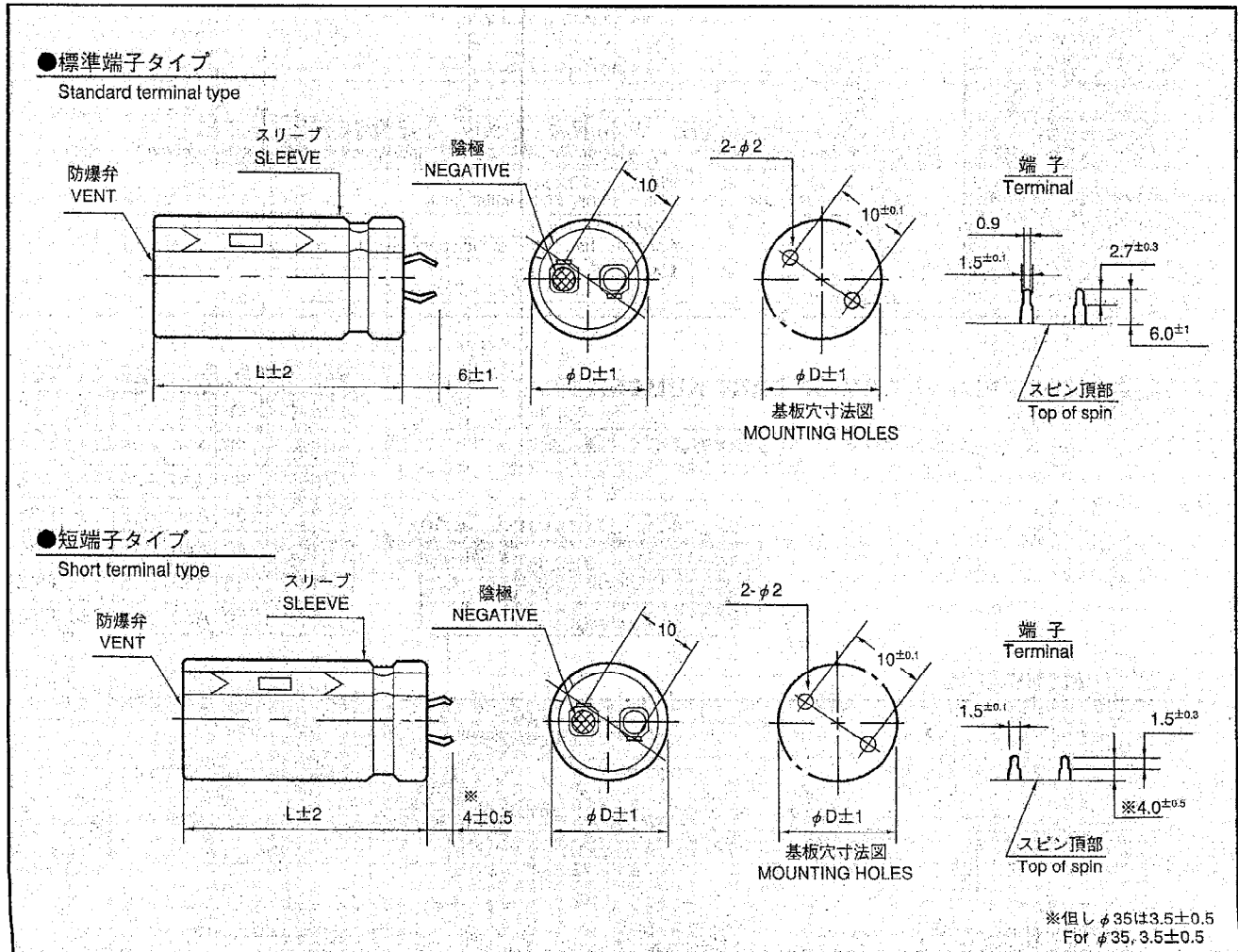
Features

- Tray shape for automatic insertion.
- Aligned polarity of capacitors.
- Effective in decrease of wastes for its reusability.

※新トレー詳細のご要望に際しましてはご一報下さい。
Please consult our sales department for details of new tray.

大形電解コンデンサ
LARGE CAN TYPE

◆コンデンサ寸法図 Dimensions in mm (not to scale)





大形アルミニウム電解コンデンサ

LARGE CAN TYPE ALUMINUM ELECTROLYTIC CAPACITORS

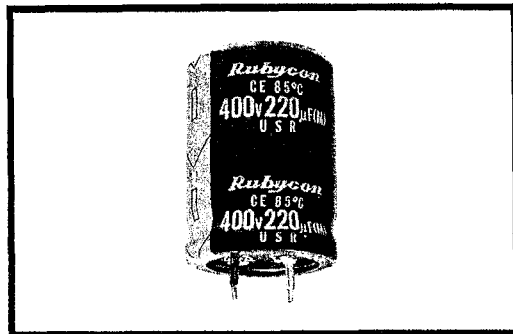
USR

USR シリーズ SERIES

基板自立形85°C標準品
85°C Standard, Snap-in Terminal Type

◆特長 FEATURES

- 85°C3000時間品。
Load Life : 85°C 3000 hours.
- 従来のUSRシリーズを更に小形化・高リプル化。
Smaller size with higher ripple current endurance than USP series.



◆規格表 SPECIFICATIONS

| 項目 Items | 特性 Characteristics | | | | | | | | | | | | | | | | | | | | | | | |
|--|--|--|--------------------------|---------|---------|---------|---------|------------------|---------------------|---------------|-----|---------------------|------------------|-------|------|------|------|------|------|------|------|------|-----------|--|
| 使用温度範囲 Operating Temperature Range | -40~+85°C | -25~+85°C | | | | | | | | | | | | | | | | | | | | | | |
| 定格電圧範囲 Rated Voltage Range | 10~250V.DC | 315~450V.DC | | | | | | | | | | | | | | | | | | | | | | |
| 静電容量許容差 Capacitance Tolerance | ±20% (20°C, 120Hz) | | | | | | | | | | | | | | | | | | | | | | | |
| 漏れ電流 Leakage Current(MAX) | $I=3\sqrt{CV}$ (定格電圧印加5分後) $I=3\sqrt{CV}$ (After 5 minutes application of rated voltage) $I=$ 漏れ電流(μA) $V=$ 定格電圧(V) $C=$ 公称静電容量(μF) Leakage Current Rated Voltage Nominal Capacitance | | | | | | | | | | | | | | | | | | | | | | | |
| 損失角の正接 (tanδ) Dissipation Factor(MAX) | <table border="1"> <tr> <td>定格電圧(V) Rated Voltage</td> <td>10</td> <td>16</td> <td>25</td> <td>35</td> <td>50</td> <td>63</td> <td>80</td> <td>100</td> <td>160~420~ 400 450</td> <td>(20°C, 120Hz)</td> </tr> <tr> <td>tan δ</td> <td>0.55</td> <td>0.50</td> <td>0.45</td> <td>0.40</td> <td>0.35</td> <td>0.30</td> <td>0.25</td> <td>0.20</td> <td>0.15 0.25</td> <td></td> </tr> </table> | | 定格電圧(V) Rated Voltage | 10 | 16 | 25 | 35 | 50 | 63 | 80 | 100 | 160~420~ 400 450 | (20°C, 120Hz) | tan δ | 0.55 | 0.50 | 0.45 | 0.40 | 0.35 | 0.30 | 0.25 | 0.20 | 0.15 0.25 | |
| 定格電圧(V) Rated Voltage | 10 | 16 | 25 | 35 | 50 | 63 | 80 | 100 | 160~420~ 400 450 | (20°C, 120Hz) | | | | | | | | | | | | | | |
| tan δ | 0.55 | 0.50 | 0.45 | 0.40 | 0.35 | 0.30 | 0.25 | 0.20 | 0.15 0.25 | | | | | | | | | | | | | | | |
| インピーダンス比 Impedance Ratio(MAX) | <table border="1"> <tr> <td>定格電圧(V) Rated Voltage</td> <td>10~250</td> <td>315~400</td> <td>420~450</td> <td>(120Hz)</td> </tr> <tr> <td>Z(-25°C)/Z(20°C)</td> <td>3</td> <td>4</td> <td>12</td> <td></td> </tr> <tr> <td>Z(-40°C)/Z(20°C)</td> <td>12</td> <td></td> <td></td> <td></td> </tr> </table> | | 定格電圧(V) Rated Voltage | 10~250 | 315~400 | 420~450 | (120Hz) | Z(-25°C)/Z(20°C) | 3 | 4 | 12 | | Z(-40°C)/Z(20°C) | 12 | | | | | | | | | | |
| 定格電圧(V) Rated Voltage | 10~250 | 315~400 | 420~450 | (120Hz) | | | | | | | | | | | | | | | | | | | | |
| Z(-25°C)/Z(20°C) | 3 | 4 | 12 | | | | | | | | | | | | | | | | | | | | | |
| Z(-40°C)/Z(20°C) | 12 | | | | | | | | | | | | | | | | | | | | | | | |
| 高温負荷特性 Load Life | 85°C中で3000時間定格電圧(リプル重畳)印加後、下記項目を満足すること After applying rated voltage with max. ripple current for 3000hrs at 85°C, the capacitors shall meet the following requirements. | | | | | | | | | | | | | | | | | | | | | | | |
| | 静電容量変化率 Capacitance Change | 初期値の±20%以内 Within ±20% of the initial value. | | | | | | | | | | | | | | | | | | | | | | |
| | 損失角の正接 Dissipation Factor | 規格値の200%以下 Not more than 200% of the specified value. | | | | | | | | | | | | | | | | | | | | | | |
| | 漏れ電流 Leakage Current | 規格値以下 Not more than the specified value. | | | | | | | | | | | | | | | | | | | | | | |

◆品番呼称方法 EXPLANATION OF PART NUMBER

□□□ USR □□□□□ □ □□ □□□
 定格電圧 シリーズ名 公称静電容量 静電容量許容差 端子記号 サイズ記号
 Rated Voltage Series Nominal Capacitance Capacitance Tolerance Terminal Code Size Code

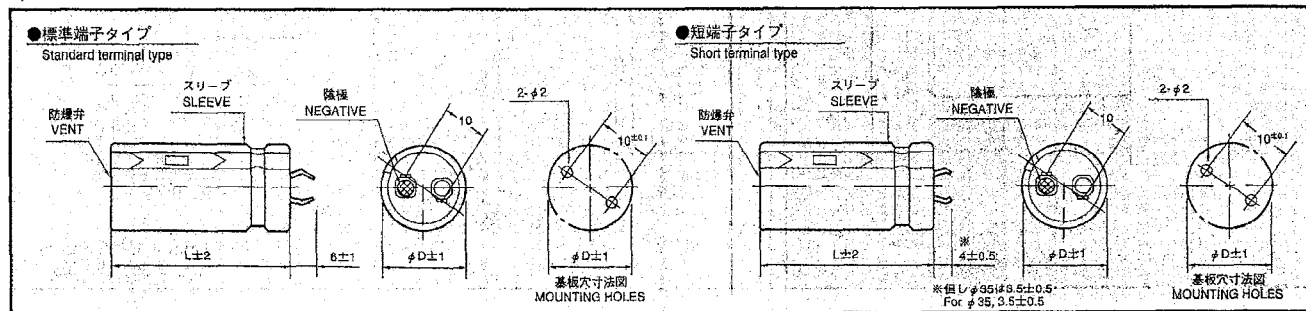
◆サイズ記号 SIZE CODE

| φD | 20 | 22 | 25 | 30 | 35 |
|----|-----|-----|-----|-----|-----|
| 25 | Z25 | A25 | B25 | C25 | D25 |
| 30 | Z30 | A30 | B30 | C30 | D30 |
| 35 | Z35 | A35 | B35 | C35 | D35 |
| 40 | Z40 | A40 | B40 | C40 | D40 |
| 45 | Z45 | A45 | B45 | C45 | D45 |
| 50 | Z50 | A50 | B50 | C50 | D50 |

◆端子記号 Terminal Code

| | 記号 Code |
|------------------------|----------|
| 標準端子 Standard Terminal | なし Blank |
| 短端子 Short Terminal | ST |

◆寸法図 DIMENSIONS





大形アルミニウム電解コンデンサ

LARGE CAN TYPE ALUMINUM ELECTROLYTIC CAPACITORS

USR

◆寸法一覧表, 最大許容リップル電流一覧表 STANDARD SIZE, MAX. PERMISSIBLE RIPPLE CURRENT

| Cap (μF) | WV φD | 10 | | | | | 16 | | | | | |
|----------|----------|-------------|-------------|-------------|-------------|-------------|-------------|-------------|-------------|-------------|-------------|-------------|
| | | φ 20 | φ 22 | φ 25 | φ 30 | φ 35 | φ 20 | φ 22 | φ 25 | φ 30 | φ 35 | |
| 6800 | | | | | | | 20×25; 2.33 | | | | | |
| 8200 | | | | | | | 20×30; 2.56 | 22×25; 2.56 | | | | |
| 10000 | | 20×25; 2.22 | | | | | 20×35; 2.85 | 22×30; 2.81 | | | | |
| 12000 | | 20×30; 2.44 | 22×25; 2.41 | | | | 20×40; 3.20 | 22×30; 3.13 | 25×25; 2.96 | | | |
| 15000 | | 20×35; 2.90 | 22×30; 2.88 | 25×25; 2.88 | | | | 22×35; 3.69 | 25×30; 3.64 | 30×25; 3.73 | | |
| 18000 | | 20×40; 3.31 | 22×35; 3.22 | 25×30; 3.08 | | | | 22×40; 3.98 | 25×35; 3.98 | 30×30; 3.88 | | |
| 22000 | | | 22×40; 3.79 | 25×30; 3.66 | 30×25; 3.53 | | | 22×50; 4.52 | 25×40; 4.44 | 30×30; 4.38 | | |
| 27000 | | | 22×45; 4.04 | 25×35; 4.04 | 30×30; 3.99 | | | | 25×45; 4.98 | 30×35; 4.82 | 35×30; 4.82 | |
| 33000 | | | 22×50; 4.58 | 25×40; 4.56 | 30×30; 4.58 | | | | 25×50; 5.49 | 30×40; 5.38 | 35×35; 5.33 | |
| 39000 | | | | 25×45; 5.29 | 30×35; 5.21 | 35×30; 5.05 | | | | | 30×45; 6.11 | 35×35; 6.01 |
| 47000 | | | | 25×50; 5.78 | 30×40; 5.78 | 35×35; 5.55 | | | | | 30×50; 6.80 | 35×40; 6.80 |
| 56000 | | | | | 30×45; 6.59 | 35×35; 6.40 | | | | | | 35×45; 7.62 |
| 68000 | | | | | 30×50; 7.50 | 35×40; 7.48 | | | | | | |
| 82000 | | | | | | 35×50; 8.50 | | | | | | |

| Cap (μF) | WV φD | 25 | | | | | 35 | | | | |
|----------|----------|-------------|-------------|-------------|-------------|-------------|-------------|-------------|-------------|-------------|-------------|
| | | φ 20 | φ 22 | φ 25 | φ 30 | φ 35 | φ 20 | φ 22 | φ 25 | φ 30 | φ 35 |
| 2700 | | | | | | | 20×25; 1.76 | | | | |
| 3300 | | | | | | | 20×30; 2.14 | | | | |
| 3900 | | | | | | | 20×30; 2.28 | 22×25; 2.22 | | | |
| 4700 | | 20×25; 2.18 | | | | | 20×35; 2.46 | 22×30; 2.46 | 25×25; 2.43 | | |
| 5600 | | 20×30; 2.33 | 22×25; 2.31 | | | | | 22×35; 2.79 | 25×30; 2.75 | | |
| 6800 | | 20×35; 2.56 | 22×30; 2.56 | | | | | 22×40; 2.89 | 25×30; 2.89 | 30×25; 3.09 | |
| 8200 | | 20×40; 2.91 | 22×35; 2.81 | 25×25; 2.78 | | | | 22×45; 3.47 | 25×35; 3.33 | 30×30; 3.29 | |
| 10000 | | | 22×35; 3.18 | 25×30; 3.16 | | | | 22×50; 3.59 | 25×40; 3.59 | 30×30; 3.61 | |
| 12000 | | | 22×40; 3.53 | 25×35; 3.48 | 30×25; 3.53 | | | | 25×45; 4.01 | 30×35; 4.01 | 35×30; 4.02 |
| 15000 | | | 22×50; 4.08 | 25×40; 4.00 | 30×30; 4.00 | | | | | 30×40; 4.80 | 35×35; 4.80 |
| 18000 | | | | 25×45; 4.68 | 30×35; 4.66 | 35×30; 4.68 | | | | 30×45; 5.18 | 35×40; 5.71 |
| 22000 | | | | | 30×40; 5.19 | 35×35; 5.20 | | | | | 35×45; 6.38 |
| 27000 | | | | | 30×45; 6.02 | 35×40; 6.02 | | | | | 35×50; 6.90 |
| 33000 | | | | | | 35×45; 6.75 | | | | | |
| 39000 | | | | | | 35×50; 7.56 | | | | | |

| Cap (μF) | WV φD | 50 | | | | | 63 | | | | |
|----------|----------|-------------|-------------|-------------|-------------|-------------|-------------|-------------|-------------|-------------|-------------|
| | | φ 20 | φ 22 | φ 25 | φ 30 | φ 35 | φ 20 | φ 22 | φ 25 | φ 30 | φ 35 |
| 1500 | | | | | | | 20×25; 1.69 | | | | |
| 1800 | | 20×25; 1.70 | | | | | 20×30; 2.04 | 22×25; 1.90 | | | |
| 2200 | | 20×30; 2.07 | 22×25; 1.93 | | | | 20×35; 2.40 | 22×30; 2.35 | 25×25; 2.30 | | |
| 2700 | | 20×35; 2.21 | 22×30; 2.21 | | | | 20×40; 2.52 | 22×35; 2.50 | 25×30; 2.49 | | |
| 3300 | | 20×40; 2.41 | 22×30; 2.41 | 25×25; 2.38 | | | | 22×40; 2.69 | 25×30; 2.69 | 30×25; 2.78 | |
| 3900 | | | 22×35; 2.72 | 25×30; 2.68 | | | | 22×45; 3.10 | 25×35; 3.09 | 30×30; 3.09 | |
| 4700 | | | 22×40; 3.01 | 25×30; 3.03 | 30×25; 3.01 | | | 22×50; 3.49 | 25×40; 3.37 | 30×30; 3.37 | |
| 5600 | | | 22×45; 3.43 | 25×35; 3.37 | 30×30; 3.43 | | | | 25×45; 3.80 | 30×35; 3.81 | 35×30; 3.75 |
| 6800 | | | 22×50; 3.94 | 25×40; 3.87 | 30×35; 3.87 | | | | 25×50; 4.41 | 30×40; 4.41 | 35×35; 4.33 |
| 8200 | | | | 25×45; 4.37 | 30×35; 4.42 | 35×30; 4.41 | | | | 30×45; 4.90 | 35×35; 4.80 |
| 10000 | | | | | 30×40; 5.02 | 35×35; 4.92 | | | | 30×50; 5.49 | 35×40; 5.47 |
| 12000 | | | | | 30×50; 5.60 | 35×40; 5.60 | | | | | 35×50; 6.30 |
| 15000 | | | | | | 35×45; 6.44 | | | | | |
| 18000 | | | | | | 35×50; 6.71 | | | | | |

| Cap (μF) | WV φD | 80 | | | | | 100 | | | | |
|----------|----------|-------------|-------------|-------------|-------------|-------------|-------------|-------------|-------------|-------------|-------------|
| | | φ 20 | φ 22 | φ 25 | φ 30 | φ 35 | φ 20 | φ 22 | φ 25 | φ 30 | φ 35 |
| 680 | | | | | | | 20×25; 1.66 | | | | |
| 820 | | | | | | | 20×30; 1.85 | 22×25; 1.86 | | | |
| 1000 | | 20×25; 1.56 | | | | | 20×35; 2.02 | 22×30; 2.02 | | | |
| 1200 | | 20×30; 1.80 | 22×25; 1.77 | | | | 20×40; 2.12 | 22×30; 2.12 | 25×25; 2.10 | | |
| 1500 | | 20×35; 2.10 | 22×30; 2.01 | | | | | 22×35; 2.45 | 25×30; 2.43 | | |
| 1800 | | 20×40; 2.30 | 22×35; 2.25 | 25×25; 2.26 | | | | 22×40; 2.77 | 25×35; 2.77 | 30×25; 2.65 | |
| 2200 | | | 22×40; 2.53 | 25×30; 2.53 | 30×25; 2.50 | | | 22×45; 3.12 | 25×40; 3.20 | 30×30; 3.10 | |
| 2700 | | | 22×45; 2.93 | 25×35; 2.93 | 30×30; 2.91 | | | | 25×45; 3.61 | 30×35; 3.60 | 35×30; 3.71 |
| 3300 | | | 22×50; 3.25 | 25×40; 3.25 | 30×30; 3.23 | | | | 25×50; 4.06 | 30×40; 4.05 | 35×35; 4.07 |
| 3900 | | | | 25×45; 3.62 | 30×35; 3.62 | | | | | 30×45; 4.60 | 35×35; 4.50 |
| 4700 | | | | 25×50; 4.28 | 30×40; 4.15 | 35×30; 4.10 | | | | 30×50; 5.13 | 35×40; 5.12 |
| 5600 | | | | | 30×45; 4.55 | 35×35; 4.51 | | | | | 35×45; 5.75 |
| 6800 | | | | | 30×50; 5.18 | 35×40; 5.14 | | | | | 35×50; 6.01 |
| 8200 | | | | | | 35×45; 5.83 | | | | | |

↑ リップル電流 Ripple Current A r.m.s./120Hz-85°C
↑ ケースサイズ Case Size φD^{±1}×L^{±2}(mm)

大形電解コンデンサ
LARGE CAN TYPE



大形アルミニウム電解コンデンサ

LARGE CAN TYPE ALUMINUM ELECTROLYTIC CAPACITORS

USR

◆寸法一覧表, 最大許容リップル電流一覧表 STANDARD SIZE, MAX. PERMISSIBLE RIPPLE CURRENT

| Cap (μ F) | WV ϕ D | 160 | | | | | 180 | | | | | | | | | | |
|-------------------|----------------|-----------|-----------|-----------|-----------|-----------|-----------|-----------|-----------|-----------|-----------|-------|-------|-------|------|-------|------|
| | | ϕ 20 | ϕ 22 | ϕ 25 | ϕ 30 | ϕ 35 | ϕ 20 | ϕ 22 | ϕ 25 | ϕ 30 | ϕ 35 | | | | | | |
| 270 | 20×25 | 1.22 | | | | | 20×25 | 1.23 | | | | | | | | | |
| 330 | 20×30 | 1.48 | | | | | 20×30 | 1.48 | 22×25 | 1.42 | | | | | | | |
| 390 | 20×30 | 1.55 | 22×25 | 1.55 | | | 20×30 | 1.58 | 22×30 | 1.61 | | | | | | | |
| 470 | 20×35 | 1.81 | 22×30 | 1.77 | 25×25 | 1.77 | | 20×35 | 1.82 | 22×30 | 1.80 | 25×25 | 1.80 | | | | |
| 560 | 20×40 | 2.04 | 22×35 | 2.05 | 25×30 | 2.05 | | 20×40 | 2.04 | 22×35 | 2.09 | 25×30 | 2.05 | | | | |
| 680 | | | 22×40 | 2.24 | 25×30 | 2.22 | 30×25 | 2.22 | | 22×40 | 2.36 | 25×35 | 2.34 | 30×25 | 2.27 | | |
| 820 | | | 22×45 | 2.55 | 25×35 | 2.52 | 30×30 | 2.51 | | 22×45 | 2.72 | 25×35 | 2.58 | 30×30 | 2.56 | | |
| 1000 | | | 22×50 | 2.88 | 25×40 | 2.86 | 30×30 | 2.82 | | | 25×45 | 2.91 | 30×35 | 2.95 | | | |
| 1200 | | | | | 25×45 | 3.27 | 30×35 | 3.25 | 35×30 | 3.24 | | 25×50 | 3.46 | 30×40 | 3.38 | 35×30 | 3.32 |
| 1500 | | | | | | | 30×40 | 3.77 | 35×35 | 3.75 | | | | 30×45 | 3.90 | 35×35 | 3.83 |
| 1800 | | | | | | | 30×45 | 4.10 | 35×35 | 4.08 | | | | 30×50 | 4.33 | 35×40 | 4.32 |
| 2200 | | | | | | | | | 35×45 | 4.72 | | | | | | 35×45 | 4.60 |
| 2700 | | | | | | | | | 35×50 | 5.30 | | | | | | 35×50 | 5.05 |

| Cap (μ F) | WV ϕ D | 200 | | | | | 220 | | | | | | | | | | |
|-------------------|----------------|-----------|-----------|-----------|-----------|-----------|-----------|-----------|-----------|-----------|-----------|-------|-------|-------|-------|-------|------|
| | | ϕ 20 | ϕ 22 | ϕ 25 | ϕ 30 | ϕ 35 | ϕ 20 | ϕ 22 | ϕ 25 | ϕ 30 | ϕ 35 | | | | | | |
| 180 | | | | | | | 20×25 | 1.09 | | | | | | | | | |
| 220 | 20×25 | 1.13 | | | | | 20×30 | 1.15 | 22×25 | 1.09 | | | | | | | |
| 270 | 20×30 | 1.32 | 22×25 | 1.30 | | | 20×30 | 1.38 | 22×25 | 1.31 | | | | | | | |
| 330 | 20×30 | 1.49 | 22×25 | 1.44 | | | 20×35 | 1.51 | 22×30 | 1.58 | 25×25 | 1.49 | | | | | |
| 390 | 20×35 | 1.66 | 22×30 | 1.65 | 25×25 | 1.63 | | 20×40 | 1.73 | 22×35 | 1.69 | 25×30 | 1.71 | | | | |
| 470 | 20×40 | 1.93 | 22×35 | 1.88 | 25×30 | 1.86 | | | 22×40 | 1.99 | 25×30 | 1.95 | 30×25 | 1.89 | | | |
| 560 | | | 22×40 | 2.08 | 25×30 | 2.05 | 30×25 | 2.05 | | 22×45 | 2.28 | 25×35 | 2.22 | 30×30 | 2.19 | | |
| 680 | | | 22×45 | 2.36 | 25×35 | 2.36 | 30×30 | 2.36 | | 22×50 | 2.46 | 25×40 | 2.40 | 30×30 | 2.39 | | |
| 820 | | | 22×50 | 2.68 | 25×40 | 2.66 | 30×30 | 2.62 | | | 25×45 | 2.81 | 30×35 | 2.70 | 35×30 | 2.62 | |
| 1000 | | | | | 25×45 | 3.12 | 30×35 | 3.00 | 35×30 | 2.96 | | 25×50 | 3.13 | 30×40 | 3.08 | 35×35 | 3.05 |
| 1200 | | | | | 25×50 | 3.44 | 30×40 | 3.44 | 35×35 | 3.40 | | | | 30×45 | 3.60 | 35×40 | 3.51 |
| 1500 | | | | | | | 30×50 | 3.93 | 35×40 | 3.87 | | | | | | 35×45 | 3.92 |
| 1800 | | | | | | | | | 35×45 | 4.37 | | | | | | | |
| 2200 | | | | | | | | | 35×50 | 5.00 | | | | | | | |

| Cap (μ F) | WV ϕ D | 250 | | | | | 315 | | | | | | | | |
|-------------------|----------------|-----------|-----------|-----------|-----------|-----------|-----------|-----------|-----------|-----------|-----------|-------|-------|-------|------|
| | | ϕ 20 | ϕ 22 | ϕ 25 | ϕ 30 | ϕ 35 | ϕ 20 | ϕ 22 | ϕ 25 | ϕ 30 | ϕ 35 | | | | |
| 120 | | | | | | | 20×30 | 0.95 | | | | | | | |
| 150 | | | | | | | 20×35 | 1.08 | 22×30 | 1.23 | 25×25 | 1.31 | | | |
| 180 | 20×25 | 1.14 | | | | | 20×40 | 1.23 | 22×35 | 1.34 | 25×30 | 1.40 | | | |
| 220 | 20×30 | 1.20 | 22×25 | 1.18 | | | | 22×40 | 1.60 | 25×30 | 1.62 | | | | |
| 270 | 20×30 | 1.35 | 22×30 | 1.43 | | | | 22×45 | 1.82 | 25×35 | 1.85 | 30×30 | 1.89 | | |
| 330 | 20×35 | 1.60 | 22×30 | 1.58 | 25×25 | 1.53 | | 22×50 | 1.97 | 25×40 | 2.01 | 30×30 | 2.05 | | |
| 390 | 20×40 | 1.83 | 22×35 | 1.79 | 25×30 | 1.79 | | | 25×45 | 2.20 | 30×35 | 2.27 | 35×30 | 2.25 | |
| 470 | | | 22×40 | 2.05 | 25×35 | 2.05 | 30×25 | 1.94 | | | | 30×40 | 2.50 | 35×35 | 2.56 |
| 560 | | | 22×45 | 2.36 | 25×35 | 2.24 | 30×30 | 2.24 | | | | 30×45 | 2.67 | 35×40 | 2.90 |
| 680 | | | | | 25×40 | 2.54 | 30×35 | 2.58 | | | | 30×50 | 3.12 | 35×45 | 3.29 |
| 820 | | | | | 25×50 | 2.87 | 30×35 | 2.84 | 35×30 | 2.82 | | | | 35×50 | 3.40 |
| 1000 | | | | | | | 30×45 | 3.39 | 35×35 | 3.31 | | | | | |
| 1200 | | | | | | | 30×50 | 3.80 | 35×40 | 3.66 | | | | | |
| 1500 | | | | | | | | | 35×45 | 4.12 | | | | | |
| 1800 | | | | | | | | | 35×50 | 4.31 | | | | | |

| Cap (μ F) | WV ϕ D | 350 | | | | | 385 | | | | | | | | | |
|-------------------|----------------|-----------|-----------|-----------|-----------|-----------|-----------|-----------|-----------|-----------|-----------|-------|-------|-------|-------|------|
| | | ϕ 20 | ϕ 22 | ϕ 25 | ϕ 30 | ϕ 35 | ϕ 20 | ϕ 22 | ϕ 25 | ϕ 30 | ϕ 35 | | | | | |
| 68 | | | | | | | 20×25 | 0.60 | | | | | | | | |
| 82 | | | | | | | 20×30 | 0.67 | 22×25 | 0.70 | | | | | | |
| 100 | | | | | | | 20×30 | 0.80 | 22×30 | 0.82 | | | | | | |
| 120 | 20×30 | 0.91 | 22×25 | 0.99 | | | 20×35 | 0.89 | 22×30 | 0.91 | 25×25 | 0.95 | | | | |
| 150 | 20×35 | 1.05 | 22×30 | 1.14 | 25×25 | 1.16 | | 20×40 | 1.05 | 22×35 | 1.04 | 25×30 | 1.08 | | | |
| 180 | 20×40 | 1.18 | 22×35 | 1.28 | 25×30 | 1.30 | | | 22×40 | 1.18 | 25×35 | 1.20 | 30×25 | 1.28 | | |
| 220 | | | 22×40 | 1.40 | 25×35 | 1.46 | 30×25 | 1.47 | | 22×45 | 1.33 | 25×35 | 1.44 | 30×30 | 1.40 | |
| 270 | | | 22×45 | 1.62 | 25×35 | 1.65 | 30×30 | 1.71 | | | 25×40 | 1.56 | 30×35 | 1.62 | | |
| 330 | | | 22×50 | 1.78 | 25×40 | 1.88 | 30×35 | 1.93 | | | 25×50 | 1.80 | 30×40 | 1.85 | 35×30 | 1.85 |
| 390 | | | | | 25×45 | 2.04 | 30×35 | 2.12 | 35×30 | 2.19 | | | 30×40 | 2.04 | 35×35 | 2.06 |
| 470 | | | | | | | 30×40 | 2.41 | 35×35 | 2.43 | | | 30×50 | 2.27 | 35×40 | 2.30 |
| 560 | | | | | | | 30×45 | 2.60 | 35×35 | 2.62 | | | | | 35×45 | 2.57 |
| 680 | | | | | | | | | 35×40 | 3.00 | | | | | 35×50 | 2.80 |
| 820 | | | | | | | | | 35×50 | 3.30 | | | | | | |

↑ ↑ リップル電流 Ripple Current A r.m.s./120Hz-85°C
 ケースサイズ Case Size ϕ D^{±1}×L^{±2}(mm)



大形アルミニウム電解コンデンサ

LARGE CAN TYPE ALUMINUM ELECTROLYTIC CAPACITORS

USR

◆寸法一覧表, 最大許容リップル電流一覧表 STANDARD SIZE, MAX. PERMISSIBLE RIPPLE CURRENT

| Cap (μF) | WV φD | 400 | | | | | 420 | | | | |
|----------|-------------|-------------|-------------|-------------|-------------|-----|-------------|-------------|-------------|-------------|-------------|
| | | φ20 | φ22 | φ25 | φ30 | φ35 | φ20 | φ22 | φ25 | φ30 | φ35 |
| 68 | 20×25; 0.71 | | | | | | 20×25; 0.65 | | | | |
| 82 | 20×30; 0.78 | 22×25; 0.80 | | | | | 20×30; 0.73 | 22×25; 0.75 | | | |
| 100 | 20×30; 0.90 | 22×30; 0.94 | | | | | 20×35; 0.85 | 22×30; 0.87 | 25×25; 0.92 | | |
| 120 | 20×35; 1.02 | 22×30; 1.04 | 25×25; 1.08 | | | | 20×35; 0.99 | 22×30; 1.01 | 25×25; 1.03 | | |
| 150 | 20×40; 1.16 | 22×35; 1.18 | 25×30; 1.21 | | | | 20×45; 1.15 | 22×35; 1.19 | 25×30; 1.19 | 30×25; 1.14 | |
| 180 | | 22×40; 1.34 | 25×35; 1.37 | 30×25; 1.45 | | | | 22×45; 1.36 | 25×35; 1.37 | 30×25; 1.35 | |
| 220 | | 22×45; 1.50 | 25×35; 1.56 | 30×30; 1.58 | | | | 22×50; 1.69 | 25×40; 1.58 | 30×30; 1.56 | |
| 270 | | | 25×40; 1.70 | 30×35; 1.73 | | | | | 25×45; 1.83 | 30×35; 1.72 | 35×30; 1.76 |
| 330 | | | 25×50; 1.90 | 30×40; 1.95 | 35×30; 1.95 | | | | 25×50; 2.18 | 30×40; 1.98 | 35×35; 2.04 |
| 390 | | | | 30×40; 2.15 | 35×35; 2.17 | | | | | 30×45; 2.34 | 35×35; 2.26 |
| 470 | | | | 30×50; 2.39 | 35×40; 2.42 | | | | | 30×50; 2.67 | 35×40; 2.60 |
| 560 | | | | | 35×45; 2.71 | | | | | | 35×45; 2.93 |
| 680 | | | | | 35×50; 2.95 | | | | | | |

| Cap (μF) | WV φD | 450 | | | | |
|----------|-------------|-------------|-------------|-------------|-------------|-----|
| | | φ20 | φ22 | φ25 | φ30 | φ35 |
| 56 | 20×25; 0.58 | | | | | |
| 68 | 20×30; 0.67 | 22×25; 0.68 | | | | |
| 82 | 20×35; 0.76 | 22×30; 0.82 | | | | |
| 100 | 20×35; 0.84 | 22×35; 0.90 | 25×25; 0.92 | | | |
| 120 | 20×40; 0.94 | 22×35; 1.02 | 25×30; 1.04 | 30×25; 1.07 | | |
| 150 | | 22×40; 1.12 | 25×35; 1.19 | 30×30; 1.23 | | |
| 180 | | 22×50; 1.26 | 25×40; 1.33 | 30×30; 1.38 | | |
| 220 | | | 25×45; 1.51 | 30×35; 1.56 | 35×30; 1.58 | |
| 270 | | | 25×50; 1.65 | 30×40; 1.80 | 35×35; 1.81 | |
| 330 | | | | 30×45; 2.02 | 35×35; 2.05 | |
| 390 | | | | 30×50; 2.24 | 35×40; 2.27 | |
| 470 | | | | | 35×45; 2.55 | |

↑ リプル電流 Ripple Current A.r.m.s./120Hz-85°C
↑ ケースサイズ Case Size φD^{±1}×L^{±2}(mm)

大形電解コンデンサ
LARGE CAN TYPE

◆リップル電流補正係数 MULTIPLIER FOR RIPPLE CURRENT

(1) 温度係数 Temperature coefficient

| 周囲温度 (°C) Ambient Temperature (°C) | 85 | 65≥ |
|---------------------------------------|-----|-----|
| 係数 Coefficient | 1.0 | 1.3 |

(2) 周波数係数 Frequency coefficient

| 周波数 (Hz) Frequency | 60 (50) | 120 | 500 | 1k | 10k≤ | |
|-----------------------|-----------|------|------|------|------|------|
| 係数 Coefficient | 10~100WV | 0.90 | 1.00 | 1.05 | 1.10 | 1.15 |
| | 160~250WV | 0.80 | 1.00 | 1.20 | 1.30 | 1.50 |
| | 315~450WV | 0.80 | 1.00 | 1.05 | 1.10 | 1.15 |