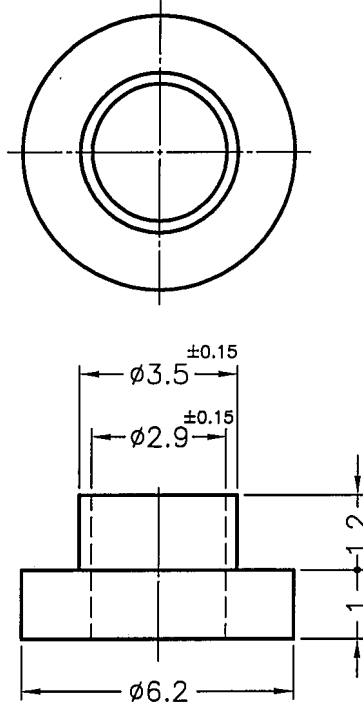


REVISIONS			
REV	DESCRIPTION	DATE	BY



QMFZ2 Component - Plastics Friday, October 24, 2003 E235269

NAN YA PLASTICS (HUI ZHOU) CORP LTD
YONGSHI DA DAO SHI WAN TOWN HUIZHOU GUANGDONG CHINA

Material Designation: 1403G6

Product Description: Polybutylene Terephthalate (PBT), furnished as pellets.

Color	Min. Thick. (mm)	Flame Class	HWI	HAI	RTI Elec	RTI Imp	RTI Str	IEC GWIT	IEC GWFI
ALL	0.75	V-0	3	0	130	130	140	-	-
	1.5	V-0	2	0	130	130	140	-	-
	3.0	V-0	2	0	130	130	140	-	-

CTI: 2

HVTR: 1

D495: 6

IEC Ball Pressure (°C): -

Dielectric Strength (kV/mm): -
ISO Tensile Strength (MPa): -
ISO Tensile Impact (kJ/m²): -

Volume Resistivity (10⁹ohm-cm): -
ISO Flexural Strength (MPa): -
ISO Izod Impact (kJ/m²): -

Dimensional Stability(%): -
ISO Heat Deflection (°C): -
ISO Charpy Impact (kJ/m²): -

Report Date: 4/23/2003

Underwriters Laboratories Inc®

UL94 small-scale test data does not pertain to building materials, furnishings and related contents. UL 94 small-scale test data is intended solely for determining the flammability of plastic materials used in components and parts of end-product devices and appliances, where the acceptability of the combination is determined by ULI.



<p>康揚企業股份有限公司 KANG YANG HARDWARE ENTERPRISE CO., LTD. 康揚塑膠(東莞)有限公司 KANG YANG PLASTIC(DONG GUAN) CO., LTD. 康哲電腦配件(吳江)有限公司 KANG CHE COMPUTER COMPONENTS(WUJIANG) CO., LTD.</p>	TITLE		TRANSISTOR WASHERS		SPEC. DWG.		
	MATERIAL		PBT UL94V-0		DATE		2004.06.03
	FINISH				DRAWN		S.J.C.
	COLOR		NATURAL		CHECK		童智遠
PART NUMBER		DRAWING NUMBER		UNLESS OTHERWISE SPECIFIED TOLERANCE		APPROVED	
TW-5		TW-5HH		±0.2		朱益靈	
SIZE	SCALE	UNIT	REV				
A4	6:1	mm	A				