

1

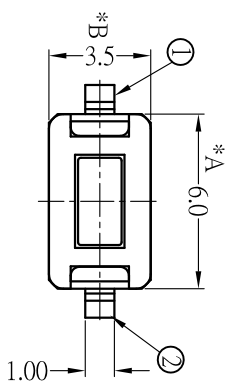
2

3

4

## REVISION

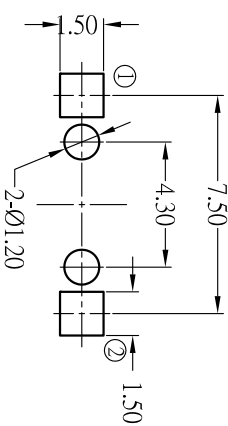
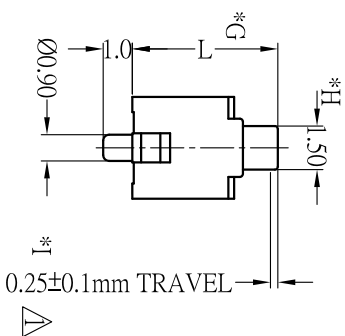
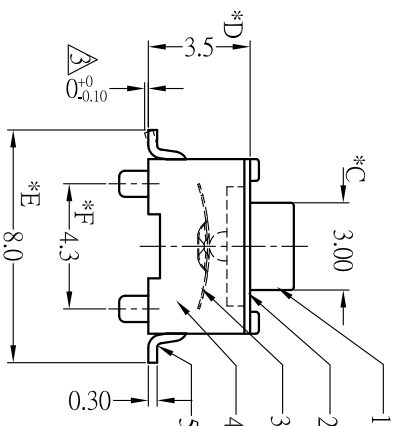
POSITION	DESCRIPTION	DATE
△	Add tolerance	2007-10-10
△	From spn strip change to sus430	2007-12-27
△	From 0.15Max change to 0.4 <sup>+0</sup> <sub>0</sub> mm	2009-10-12
△	Add stem color	2010-03-24



## SCHEMATIC

L = (height)	A	4.3mm
	B	5.0mm

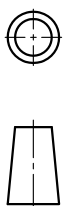
F <sub>≡</sub> (force)	L	130 gf
	S	180 gf
	H	250 gf



## P.C.B.LAYOUT

## \*CRITICAL DIMENSION

## CHI FUNG ELECTRONICS CO.,LTD.



SERIES :FACT SWITCH	DRAWING NO: CF-ENL-TS4429-3
PART NAME: TS-03M-LF-T	GENERAL TOLERANCE
UNIT : M M	WITHIN 0.XXmm±0.15mm
SCALE : 5:1	OVER 0.Xmm±0.25mm
REV : A/4	APPD.

NO.	PART NAME	MATERIAL	QTY	FINISHING
1	STEM	SUS 430	1	NATURAL
2	COVER	SUS	1	BLACK/WHITE/RED
3	CONTACT	PA6T	1	
4	CASE	PA6T	1	
5	TERMINAL	BRASS STRIP	2	Ag COATING
6				BLACK/WHITE
7				Ag CLAD

D

C

B

A

1

2

3

4

D

C

B

A