

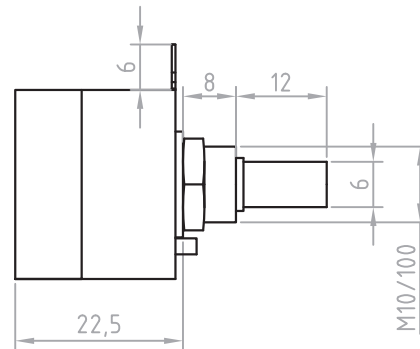
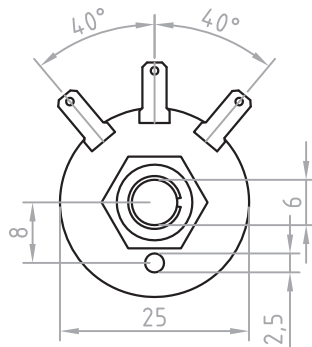
3 AND 5W WIRE WOUND POTENTIOMETERS

3W POTENTIOMETER

The 3W potentiometer is distinguished by its small diameter (25mm) in spite of its real dissipation of 3 W .Its 3% linearity makes it suitable for uses where a fine adjustment is required. Values according to the E-10 series, but we can furnish other values, by order.

PRINCIPAL CHARACTERISTICS

- * Terminals 3.2 x 0,5 mm
- * Hermetic against the dust
- * Polyamide 6 with fibreglass , 12mm shaft (Ø 6mm.)
- * Tilting slider providing great endurance
- * Resistance range: 5 Ω , to 22 k._
- * Rotation angle: 280°
- * Tolerance: 10%
- * Breakdown voltage over 1000v.
- * Net weight: 22 grs.
- * Operating temperature: -20°/+60°
- * UL rating: 94V-0
- * Packing: box of 25 pcs.



TWIN POTENTIOMETER

This twin, 2x3 W. wirewound potentiometer is a variant of our well-known type 3W and designed for stereo equipments. Its electrical and physical characteristics are the same as the mentioned 3W. Net weight: 40 grs. Packing: Box of 25 pcs .

