

TOSHIBA CMOS DIGITAL INTEGRATED CIRCUIT SILICON MONOLITHIC

**TC74HC157AP, TC74HC157AF, TC74HC157AFN**  
**TC74HC158AP, TC74HC158AF, TC74HC158AFN**

**TC74HC157AP/AF/AFN QUAD 2 - CHANNEL MULTIPLEXER**  
**TC74HC158AP/AF/AFN QUAD 2 - CHANNEL MULTIPLEXER (INVERTING)**

(Note) The JEDEC SOP (FN) is not available in Japan.

The TC74HC157A and TC74HC158A are high speed CMOS 2-CHANNEL MULTIPLEXERS fabricated with silicon gate C<sup>2</sup>MOS technology.

They achieve the high speed operation similar to equivalent LSTTL while maintaining the CMOS low power dissipation.

The TC74HC158A is an inverting multiplexer while the TC74HC157A is a non-inverting.

When STROBE is held high, selection of data is inhibited and all the outputs become low in the case of HC157A or high in the case of HC158A.

The SELECT decoding determines whether the A or B inputs get transferred to their corresponding Y ( $\bar{Y}$ ) outputs.

All inputs are equipped with protection circuits against static discharge or transient excess voltage.

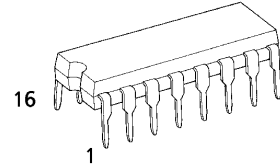
**FEATURES:**

- High Speed..... $t_{pd} = 10\text{ns}(\text{typ.})$  at  $V_{CC} = 5\text{V}$
- Low Power Dissipation..... $I_{CC} = 4\mu\text{A}(\text{Max.})$  at  $T_a = 25^\circ\text{C}$
- High Noise Immunity..... $V_{NIH} = V_{NIL} = 28\% V_{CC} (\text{Min.})$
- Output Drive Capability..... 10 LSTTL Loads
- Symmetrical Output Impedance...  $|I_{OH}| = I_{OL} = 4\text{mA}(\text{Min.})$
- Balanced Propagation Delays....  $t_{pLH} \approx t_{pHL}$
- Wide Operating Voltage Range...  $V_{CC} (\text{opr.}) = 2\text{V} \sim 6\text{V}$
- Pin and Function Compatible with 74LS157/158

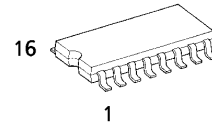
**TRUTH TABLE**

| INPUTS     |        |   |   | OUTPUTS  |                  |
|------------|--------|---|---|----------|------------------|
| $\bar{ST}$ | SELECT | A | B | Y (157A) | $\bar{Y}$ (158A) |
| H          | X      | X | X | L        | H                |
| L          | L      | L | X | L        | H                |
| L          | L      | H | X | H        | L                |
| L          | H      | X | L | L        | H                |
| L          | H      | X | H | H        | L                |

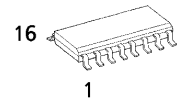
X: Don't Care



P (DIP16-P-300-2.54A)  
Weight : 1.00g (Typ.)

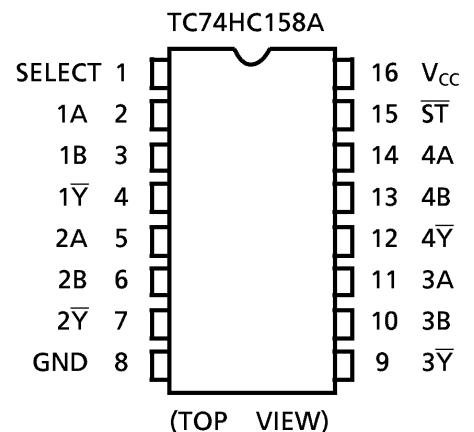
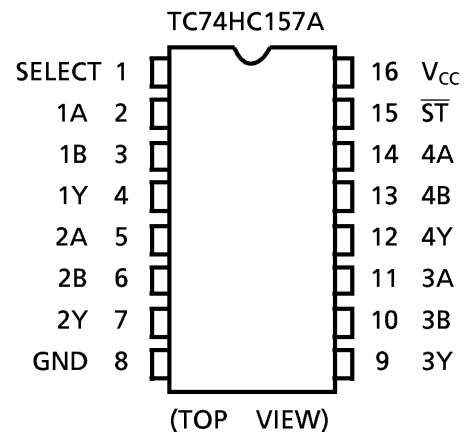


F (SOP16-P-300-1.27)  
Weight : 0.18g (Typ.)

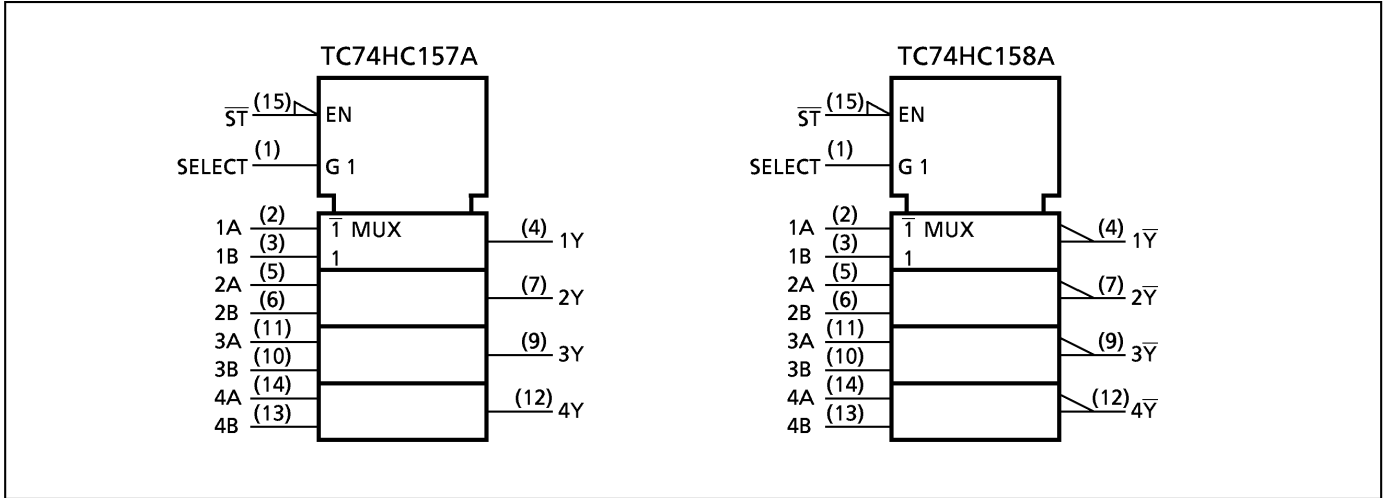


FN (SOL16-P-150-1.27)  
Weight : 0.13g (Typ.)

**PIN ASSIGNMENT**



**IEC LOGIC SYMBOL**



**ABSOLUTE MAXIMUM RATINGS**

| PARAMETER                    | SYMBOL    | VALUE                  | UNIT |
|------------------------------|-----------|------------------------|------|
| Supply Voltage Range         | $V_{CC}$  | -0.5~7                 | V    |
| DC Input Voltage             | $V_{IN}$  | -0.5~ $V_{CC}+0.5$     | V    |
| DC Output Voltage            | $V_{OUT}$ | -0.5~ $V_{CC}+0.5$     | V    |
| Input Diode Current          | $I_{IK}$  | ± 20                   | mA   |
| Output Diode Current         | $I_{OK}$  | ± 20                   | mA   |
| DC Output Current            | $I_{OUT}$ | ± 25                   | mA   |
| DC $V_{CC}$ / Ground Current | $I_{CC}$  | ± 50                   | mA   |
| Power Dissipation            | $P_D$     | 500 (DIP)* / 180 (SOP) | mW   |
| Storage Temperature          | $T_{stg}$ | -65~150                | °C   |

\*500mW in the range of  $T_a = -40^{\circ}\text{C} \sim 65^{\circ}\text{C}$ . From  $T_a = 65^{\circ}\text{C}$  to  $85^{\circ}\text{C}$  a derating factor of  $-10\text{mW}/^{\circ}\text{C}$  shall be applied until 300mW.

**RECOMMENDED OPERATING CONDITIONS**

| PARAMETER                | SYMBOL     | VALUE  | UNIT |
|--------------------------|------------|--|------|
| Supply Voltage           | $V_{CC}$   | 2~6  | V    |
| Input Voltage            | $V_{IN}$   | 0~ $V_{CC}$  | V    |
| Output Voltage           | $V_{OUT}$  | 0~ $V_{CC}$  | V    |
| Operating Temperature    | $T_{opr}$  | -40~85   | °C   |
| Input Rise and Fall Time | $t_r, t_f$ | 0~ 1000 ( $V_{CC} = 2.0\text{V}$ )<br>0~ 500 ( $V_{CC} = 4.5\text{V}$ )<br>0~ 400 ( $V_{CC} = 6.0\text{V}$ ) | ns   |

**DC ELECTRICAL CHARACTERISTICS**

| PARAMETER                   | SYMBOL   | TEST CONDITION                | $V_{CC}$<br>(V)                                      | $T_a = 25^{\circ}\text{C}$ |      |       | $T_a = -40 \sim 85^{\circ}\text{C}$ |       | UNIT          |   |
|-----------------------------|----------|-------------------------------|--|----------------------------|------|-------|-------------------------------------|-------|---------------|---|
|                             |          |                               |  | MIN.                       | TYP. | MAX.  | MIN.                                | MAX.  |               |   |
| High - Level Input Voltage  | $V_{IH}$ |                               | 2.0  | 1.50                       | —    | —     | 1.50                                | —     | V             |   |
|                             |          |                               | 4.5  | 3.15                       | —    | —     | 3.15                                | —     |               |   |
|                             |          |                               | 6.0  | 4.20                       | —    | —     | 4.20                                | —     |               |   |
| Low - Level Input Voltage   | $V_{IL}$ |                               | 2.0  | —                          | —    | 0.50  | —                                   | 0.50  | V             |   |
|                             |          |                               | 4.5  | —                          | —    | 1.35  | —                                   | 1.35  |               |   |
|                             |          |                               | 6.0  | —                          | —    | 1.80  | —                                   | 1.80  |               |   |
| High - Level Output Voltage | $V_{OH}$ | $V_{IN} = V_{IH}$ or $V_{IL}$ | $I_{OH} = -20\mu\text{A}$                            | 2.0                        | 1.9  | 2.0   | —                                   | 1.9   | —             | V |
|                             |          |                               |  | 4.5                        | 4.4  | 4.5   | —                                   | 4.4   | —             |   |
|                             |          |                               | $I_{OH} = -4\text{ mA}$<br>$I_{OH} = -5.2\text{ mA}$ | 4.5                        | 4.18 | 4.31  | —                                   | 4.13  | —             |   |
|                             |          |                               |  | 6.0                        | 5.68 | 5.80  | —                                   | 5.63  | —             |   |
| Low - Level Output Voltage  | $V_{OL}$ | $V_{IN} = V_{IH}$ or $V_{IL}$ | $I_{OL} = 20\mu\text{A}$                             | 2.0                        | —    | 0.0   | 0.1                                 | —     | 0.1           | V |
|                             |          |                               |  | 4.5                        | —    | 0.0   | 0.1                                 | —     | 0.1           |   |
|                             |          |                               | $I_{OL} = 4\text{ mA}$<br>$I_{OL} = 5.2\text{ mA}$   | 4.5                        | —    | 0.17  | 0.26                                | —     | 0.33          |   |
|                             |          |                               |  | 6.0                        | —    | 0.18  | 0.26                                | —     | 0.33          |   |
| Input Leakage Current       | $I_{IN}$ | $V_{IN} = V_{CC}$ or GND      | 6.0  | —                          | —    | ± 0.1 | —                                   | ± 1.0 | $\mu\text{A}$ |   |
| Quiescent Supply Current    | $I_{CC}$ | $V_{IN} = V_{CC}$ or GND      | 6.0  | —                          | —    | 4.0   | —                                   | 40.0  |               |   |

**AC ELECTRICAL CHARACTERISTICS (  $C_L = 15\text{pF}$ ,  $V_{CC} = 5\text{V}$ ,  $T_a = 25^\circ\text{C}$ , Input  $t_r = t_f = 6\text{ns}$  )**

| PARAMETER   | SYMBOL                 | TEST CONDITION | MIN. | TYP. | MAX. | UNIT |
|---|------------------------|----------------|------|------|------|------|
| Output Transition Time                                      | $t_{TLH}$<br>$t_{THL}$ |                | —    | 4    | 8    | ns   |
| Propagation Delay Time<br>(A, B—Y, $\bar{Y}$ )              | $t_{pLH}$<br>$t_{pHL}$ |                | —    | 10   | 16   |      |
| Propagation Delay Time<br>(SELECT—Y, $\bar{Y}$ )            | $t_{pLH}$<br>$t_{pHL}$ |                | —    | 13   | 21   |      |
| Propagation Delay Time<br>(STOROB $\bar{E}$ —Y, $\bar{Y}$ ) | $t_{pLH}$<br>$t_{pHL}$ |                | —    | 10   | 19   |      |

**AC ELECTRICAL CHARACTERISTICS (  $C_L = 50\text{pF}$ , Input  $t_r = t_f = 6\text{ns}$  )**

| PARAMETER   | SYMBOL                 | TEST CONDITION | $T_a = 25^\circ\text{C}$ |      |      | $T_a = -40\sim 85^\circ\text{C}$ |      | UNIT |
|---|------------------------|----------------|--------------------------|------|------|----------------------------------|------|------|
|   |                        |                | $V_{CC}$ (V)             | MIN. | TYP. | MAX.                             | MIN. |      |
| Output Transition Time                                      | $t_{TLH}$<br>$t_{THL}$ |                | 2.0                      | —    | 30   | 75                               | —    | 95   |
|   |                        |                | 4.5                      | —    | 8    | 15                               | —    | 19   |
|   |                        |                | 6.0                      | —    | 7    | 13                               | —    | 16   |
| Propagation Delay Time<br>(A, B—Y, $\bar{Y}$ )              | $t_{pLH}$<br>$t_{pHL}$ |                | 2.0                      | —    | 36   | 100                              | —    | 125  |
|   |                        |                | 4.5                      | —    | 12   | 20                               | —    | 25   |
|   |                        |                | 6.0                      | —    | 10   | 17                               | —    | 21   |
| Propagation Delay Time<br>(SELECT—Y, $\bar{Y}$ )            | $t_{pLH}$<br>$t_{pHL}$ |                | 2.0                      | —    | 50   | 125                              | —    | 155  |
|   |                        |                | 4.5                      | —    | 16   | 25                               | —    | 31   |
|   |                        |                | 6.0                      | —    | 14   | 21                               | —    | 26   |
| Propagation Delay Time<br>(STOROB $\bar{E}$ —Y, $\bar{Y}$ ) | $t_{pLH}$<br>$t_{pHL}$ |                | 2.0                      | —    | 36   | 115                              | —    | 145  |
|   |                        |                | 4.5                      | —    | 12   | 23                               | —    | 29   |
|   |                        |                | 6.0                      | —    | 10   | 20                               | —    | 25   |
| Input Capacitance   | $C_{IN}$               |                | —                        | 5    | 10   | —                                | 10   | pF   |
| Power Dissipation Capacitance                               | $C_{PD}$ (1)           | TC74HC157A     | —                        | 57   | —    | —                                | —    |      |
|   |                        | TC74HC158A     | —                        | 53   | —    | —                                | —    |      |

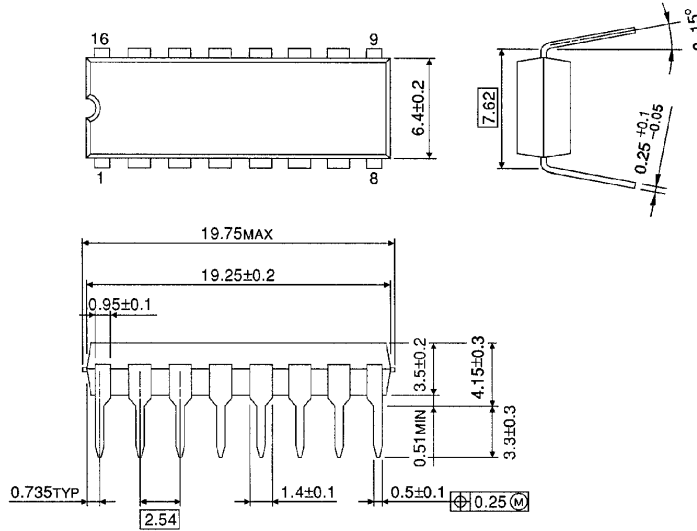
Note (1)  $C_{PD}$  is defined as the value of the internal equivalent capacitance which is calculated from the operating current consumption without load.

Average operating current can be obtained by the equation :

$$I_{CC}(\text{opr}) = C_{PD} \cdot V_{CC} \cdot f_{IN} + I_{CC} / 4 \text{ (per bit)}$$

DIP 16PIN PACKAGE DIMENSIONS (DIP16-P-300-2.54A)

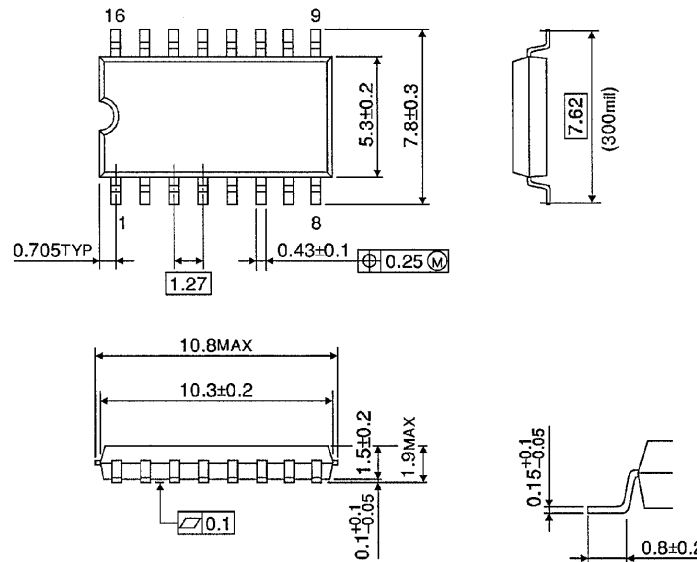
Unit in mm



Weight : 1.00g (Typ.)

SOP 16PIN (200mil BODY) PACKAGE DIMENSIONS (SOP16-P-300-1.27)

Unit in mm



Weight : 0.18g (Typ.)

**SOP 16PIN ( 150mil BODY ) PACKAGE DIMENSIONS (SOL16-P-150 -1.27)**

Unit in mm

(Note) This package is not available in Japan.



Weight : 0.13g (Typ.)

**RESTRICTIONS ON PRODUCT USE**

000707EBA

- TOSHIBA is continually working to improve the quality and reliability of its products. Nevertheless, semiconductor devices in general can malfunction or fail due to their inherent electrical sensitivity and vulnerability to physical stress. It is the responsibility of the buyer, when utilizing TOSHIBA products, to comply with the standards of safety in making a safe design for the entire system, and to avoid situations in which a malfunction or failure of such TOSHIBA products could cause loss of human life, bodily injury or damage to property. In developing your designs, please ensure that TOSHIBA products are used within specified operating ranges as set forth in the most recent TOSHIBA products specifications. Also, please keep in mind the precautions and conditions set forth in the "Handling Guide for Semiconductor Devices," or "TOSHIBA Semiconductor Reliability Handbook" etc..
- The TOSHIBA products listed in this document are intended for usage in general electronics applications (computer, personal equipment, office equipment, measuring equipment, industrial robotics, domestic appliances, etc.). These TOSHIBA products are neither intended nor warranted for usage in equipment that requires extraordinarily high quality and/or reliability or a malfunction or failure of which may cause loss of human life or bodily injury ("Unintended Usage"). Unintended Usage include atomic energy control instruments, airplane or spaceship instruments, transportation instruments, traffic signal instruments, combustion control instruments, medical instruments, all types of safety devices, etc.. Unintended Usage of TOSHIBA products listed in this document shall be made at the customer's own risk.
- The products described in this document are subject to the foreign exchange and foreign trade laws.
- The information contained herein is presented only as a guide for the applications of our products. No responsibility is assumed by TOSHIBA CORPORATION for any infringements of intellectual property or other rights of the third parties which may result from its use. No license is granted by implication or otherwise under any intellectual property or other rights of TOSHIBA CORPORATION or others.
- The information contained herein is subject to change without notice.