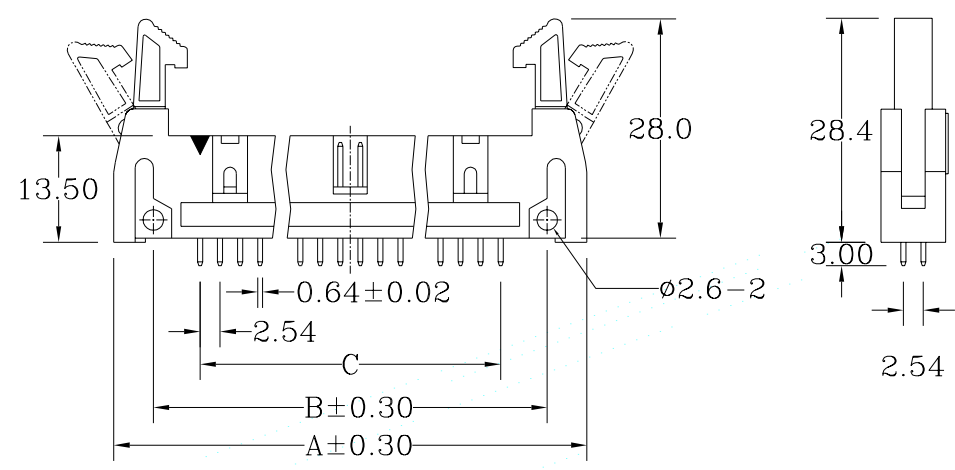


REV	ECN NO.	DESCRIPTION	DATE
A	I627:H301-11	RELEASE	JAN.07.02



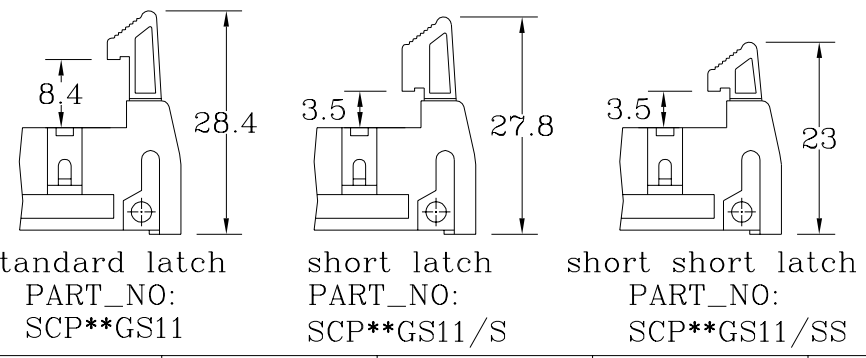
RECOMMEND P.C.B. LAYOUT  
BOTTOM VIEW

Number Of Position	DIMENSIONS		
	A	B	C
10	32.00	21.84	10.16
14	37.08	26.92	15.24
16	39.62	29.46	17.78
20	44.70	34.54	22.86
24	49.78	39.62	27.94
26	52.32	42.16	30.48
30	57.40	47.24	35.56
34	62.48	52.32	40.64
40	70.10	59.94	48.26
50	82.80	72.64	60.96
60	95.50	85.34	73.66
64	100.58	90.42	78.74



MATERIALS  
HOUSING: NYLON 6T (UL 94V-0), BLACK.  
TERMINAL: S.Q. 0.50mm BRASS, GOLD PLATING.

SPECIFICATION  
CURRENT RATING: 1 AMP. MAX.  
DIELECTRIC WITHSTANDING VOLTAGE: 800V AC R.M.S. FOR ONE MINUTE.  
INSULATION RESISTANCE: 5000M OHMS MIN. AT 500V DC.  
OPERATING TEMPERATURE: -55°C TO +105°C.



TOLERANCE UNLESS OTHERWISE SPECIFIED		PROJECTION	
LINEAR	ANGLE	UNITS	TITLE
X. ± 0.3	X° ± 3°		
.XX ± 0.2	.XX° ±	SCALE	PART NO.
.XXX ±	.XXX° ±	SIZE	CAD NO. I627
APPD		A4	F:\Drw\PH\PH-0135
CHKD			SHEET
DRAW Tao.Tao.	JAN.07.2002		1 OF 1



圖面編號: SD0889-A(1)