

RoHS COMPLIANT

REV	ECN NO.	DESCRIPTION	DATE
A		RELEASE	MAR. 31'06
B		REDRAW	MAR. 10'17

**Material and Finish**

1. Housing: PBT (UL94V-0), Black.
2. Terminal: Sq. 0.64mm Brass, Gold Plating.

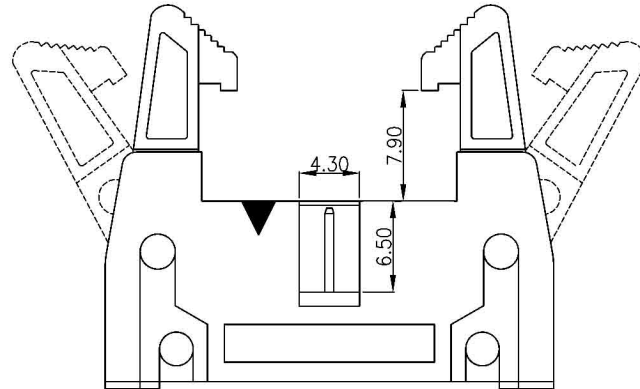
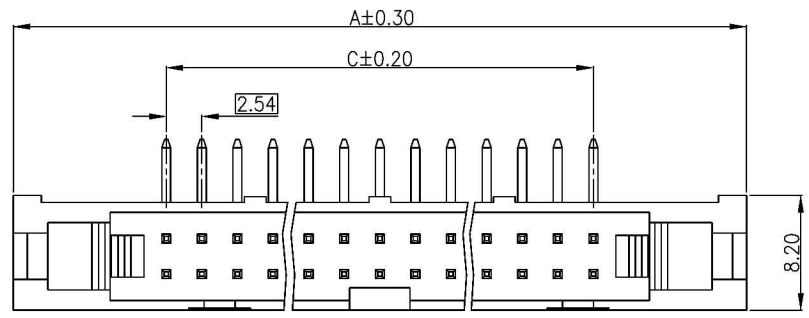
**Electrical Characteristics**

1. Current Rating: 3.0 Amp. Max..
2. Dielectric Withstand Voltage: 1000V AC RMS for 60Seconds.
3. Insulation Resistance: 1000M Ohms Min. at 1000V DC.

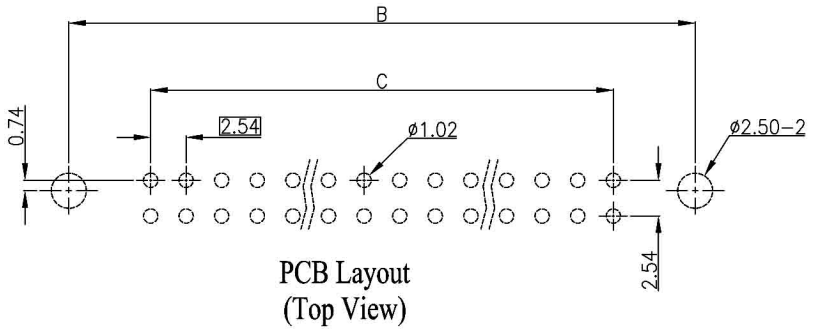
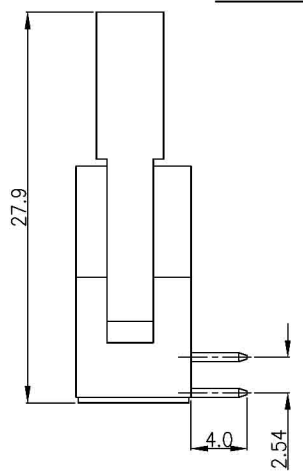
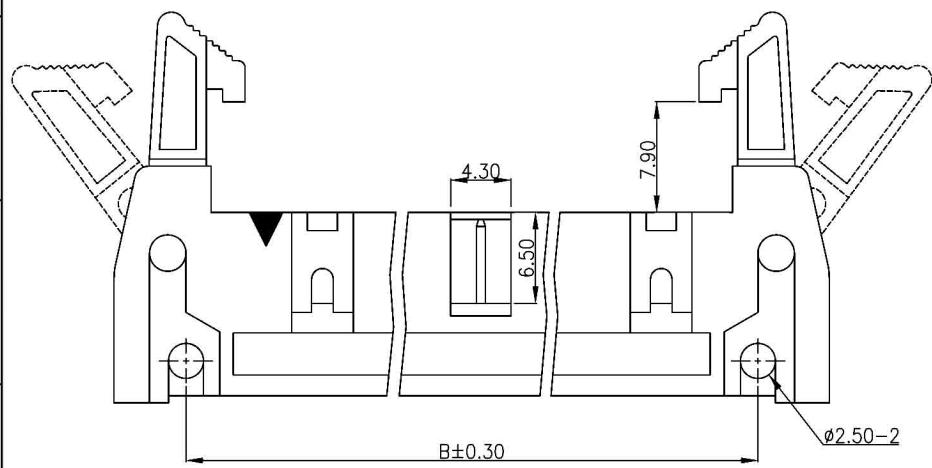
**Mechanical Characteristics**

1. Operating Temperature: -55°C ~ +105°C

Dimensions			
Pos.	A	B	C
10	32.00	21.84	10.16
12	34.54	24.38	12.70
14	37.08	26.92	15.24
16	39.62	29.46	17.78
20	44.70	34.54	22.86
24	49.78	39.62	27.94
26	52.32	42.16	30.48
30	57.40	47.24	35.56
34	62.48	52.32	40.64
40	70.10	59.94	48.26
50	82.80	72.64	60.96



10 ~ 16 Pin



TOLERANCE UNLESS OTHERWISE SPECIFIED		PROJECTION	<b>GOLD-TEK</b> ELECTRIC CO., LTD.	
LINEAR X. ± .X ± 0.35 .XX ± 0.25 .XXX±		 UNITS MM SCALE	TITLE 2.54mm Box Header R/A Dip With Ejectors CPART NO.	
ANGLE X° ± .X° ± .XX° ± .XXX° ±		SIZE A4	PART NO. <b>SCP**GR11(-GR)</b> CAD NO. I0628A <b>F:\PDF\PH\PH-0136</b> SHEET 1 OF 1	
APPD			圖面編號:GTKSD0890-B(1)	
CHKD				
DRAW	Z	MAR. 10'2017		