

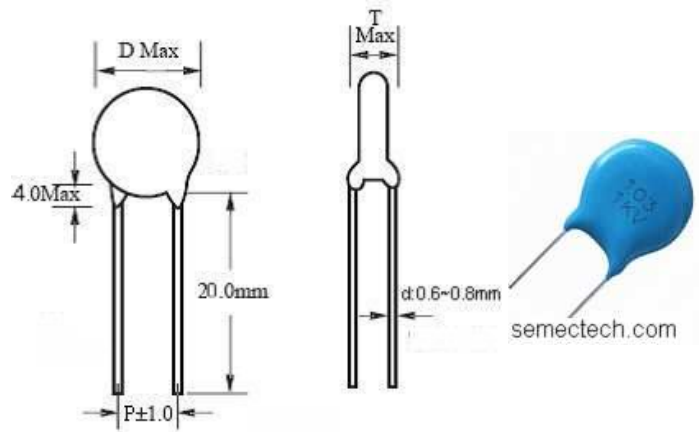
RoHS

## Features

High Voltage  
High stability and reliability

## Specifications

Operating Temperature -25°C ~ + 85°C  
 Rated Voltage DC 1KV ~ 50KV  
 Testing Voltage: Rated voltage X 1.5  
 Capacitance Range 100pF to 0.01uF  
 Capacitance Tolerance ±5%, ±10%, ±20%, +80-20%  
 Insulation Resistance  $R \geq 10,000M\Omega$  at DC500V for 1 min  
 Dissipation Factor 1+/- 0.2MHz 1 to 5V and 20°C,  $tg \leq 30 \times 10^{-4}$  for SL; 1+/- 0.2MHz 1 to 5V and 20°C,  $tg \leq 250 \times 10^{-4}$  for Y5U, Y5V



**SCH 2200pF 10KV +/-20% Y5U P:10mm, D X T = 13 X 7mm MAX, bulk, RoHS**  
**SCH 4700pF 10KV +/-20% Y5U P:12.5mm, D X T= 19 X 7mm MAX,bulk, RoHS**  
**SCH 0.022uF 2KV +/-20% Y5V P:7.5mm, D X T= 13 X 2.5mm MAX,bulk, RoHS**

Voltage	SL	Y5P	Y5U	Y5V	DIMENSION (mm)			
					D	P	T	d
1KV	680	501	102	332	6	5		0.6
	101	102	222	472	7	5		0.6
	151	152		682	8	5	4	0.6
	221	272	562	123	10	10		0.6
			103		13	10		0.6
2KV	680	471	102		6	5		0.6
	101		222		7	5		0.6
	121	102	332		8	5	5	0.6
	181		472	822	10	10		0.6
			103	153	13	10		0.6
3KV		561			7	5		0.6
			222		8	7.5		0.6
		122	332		10	7.5		0.6
		222	562	822	13	7.5	5	0.6
		332			16	10		0.8
		472			19	10		0.8
4KV		471	102		7	10		0.6
	680	561	152	272	8	10		0.6
		102	272		10	10	5	0.6
		152			13	10		0.8
6.3KV		222			16	10		0.8
	390	391	102		8	10		0.8
			202		10	10		0.8
			302		12	10	7	0.8
			402		14	10		0.8
10KV		201			10	10	7	0.6
		391	102	152	12	10		0.8
		681	152	222	14	10	8	0.8
		102	222		13	10	7	0.8
15KV		221			8	10		0.8
		471	122		12	10	9	0.8
		681			14	10		0.8
20KV		102	272		17	10		0.8
	10~30	201~271			10	10	8	0.6
		331~511			14	10	8	0.8
		102			18	12.5	9	0.8
30KV		472	103		24	12.5	9	0.8
40KV		102	472	103	30	15	12	1.5
50KV		102			30	15	20	1.5
		102			36	15	22	1.5

\* The spec is subject to change without notice. Please contact us if any further queries.