

ZEBRA TYPE

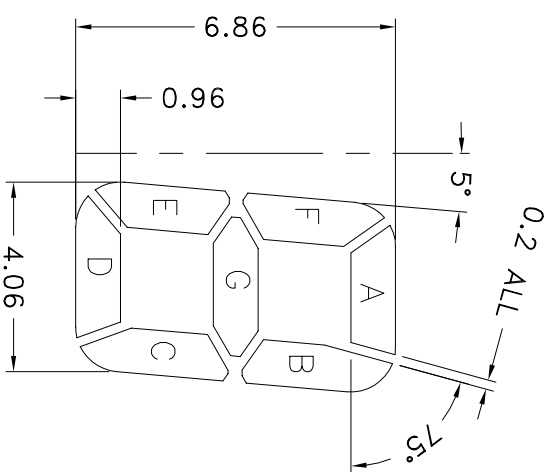
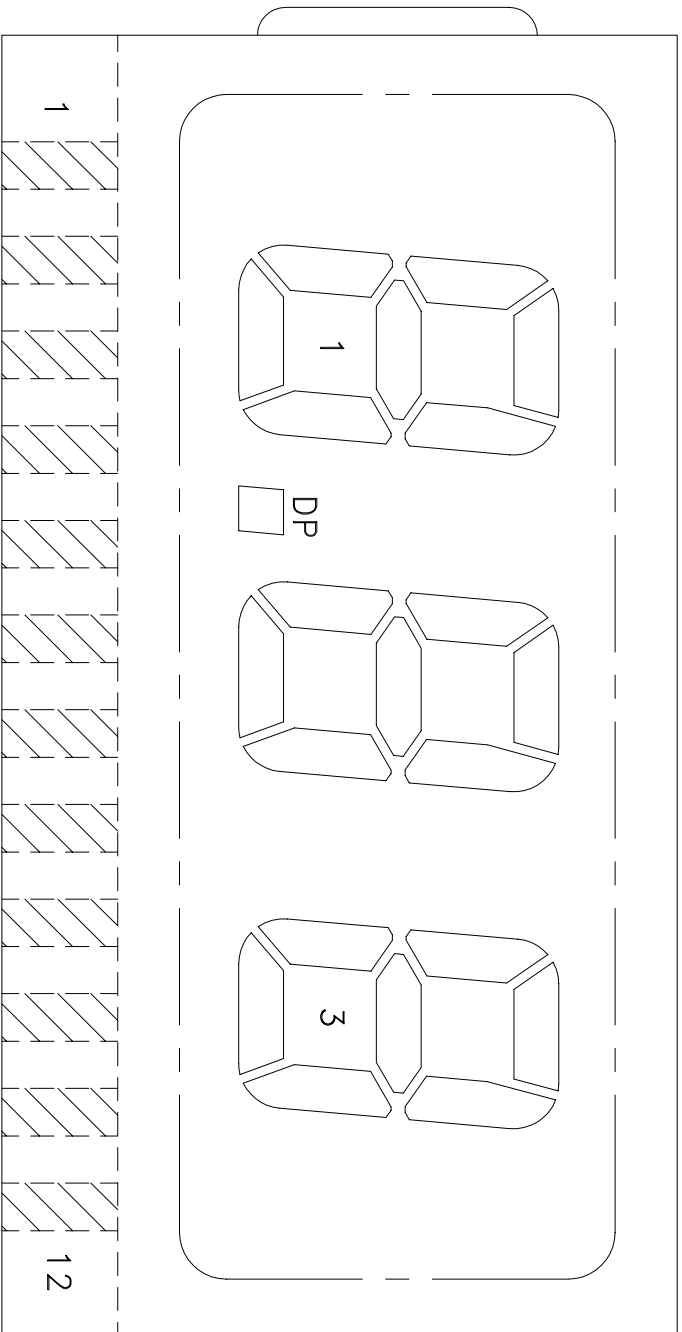
PIN TYPE

MECHANICAL TOL. ±0.2 UNLESS SPECIFIED			
APPROVAL	COUNTER DRAWING	CUSTOMER REF.	REV. DATE
COMPANY NAME	STANDARD	00	16-OCT-03
APPROVED BY		SHEET 1 OF 2	
DATE		SCALE 5 : 1	
PROJECTION		S5957	
APPROVAL	DRAFTING	CUSTOMER-SERVICE	ENGINEERING
APPROVED BY			
DATE		UNIT IN mm	OUR REF. 00
DRAWN BY : PERRY			
CLOVER DISPLAY LIMITED			

TN TYPE

MODEL NO.	S5957A	S5957B	S5957C	S5957D	S5957E	S5957F	S5957G	S5957H
VIEWING DIRECTION	6 0'CLOCK	6 0'CLOCK	6 0'CLOCK	12 0'CLOCK	12 0'CLOCK	12 0'CLOCK	12 0'CLOCK	12 0'CLOCK
TEMPERATURE RANGE	0°C ~ 50°C	-30°C ~ 80°C	0°C ~ 50°C	0°C ~ 50°C	0°C ~ 50°C	-30°C ~ 80°C	0°C ~ 50°C	-30°C ~ 80°C
STORAGE RANGE	-10°C ~ 60°C	-40°C ~ 85°C	-10°C ~ 60°C	-40°C ~ 85°C	-10°C ~ 60°C	-40°C ~ 85°C	-10°C ~ 60°C	-40°C ~ 85°C
CONNECTOR	ZEBRA	ZEBRA	PIN	PIN	ZEBRA	ZEBRA	PIN	PIN

DISPLAY TYPE	POSITIVE / NEGATIVE
OPERATION VOLTAGE	REFLECTIVE / TRANSPARENT / TRANSMISSIVE
DRIVING METHOD	3.0 V 1/3 DUTY , 1/2 BIAS



PIN	COM1	COM2	COM3
1	COM1	/	/
2	/	COM2	/
3	1F	1E	/
4	1A	1G	1D
5	1B	1C	DP
6	2F	2E	/
7	2A	2G	2D
8	2B	2C	/
9	3F	3E	/
10	3A	3G	3D
11	3B	3C	/
12	/	/	COM3

REV.	REVISION RECORD	DATE	STANDARD	APPROVAL	DRAFTING	CUSTOMER-SERVICE	ENGINEERING
00	1st ISSUE	16-OCT-03	CUSTOMER REF.	APPROVED BY			
				DATE			
				DRAWN BY : PERRY	UNIT IN mm	OUR REF. 00	
				 CLOVER DISPLAY LIMITED			

