

1

2

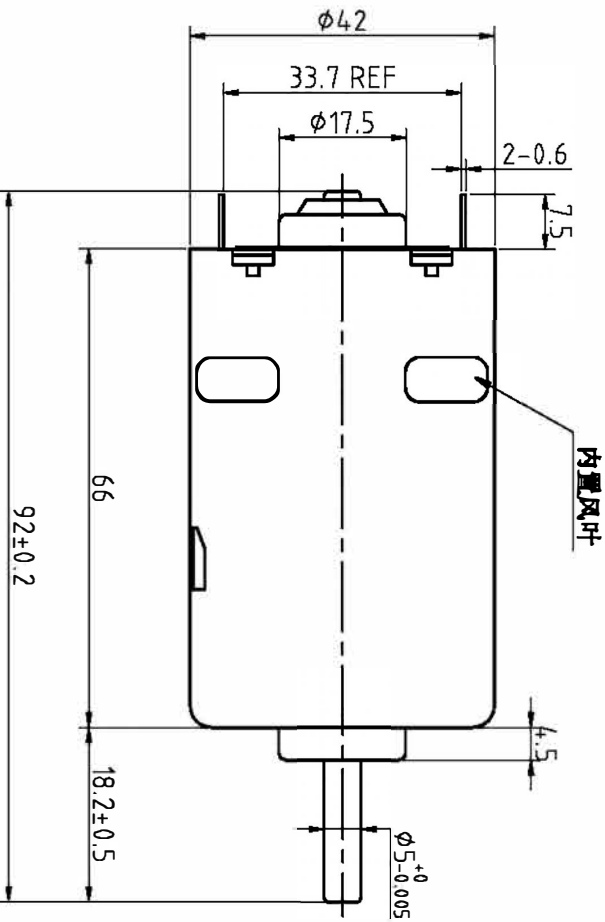
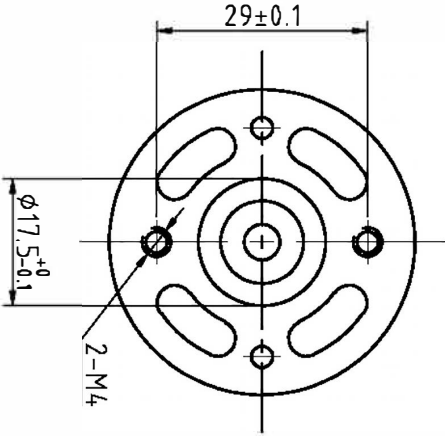
3

4

5

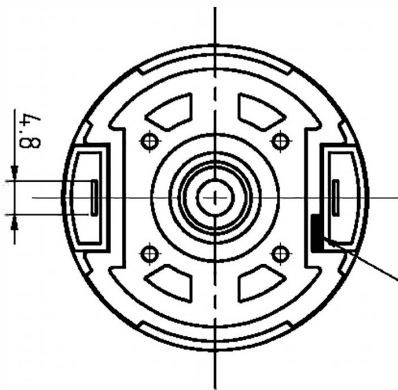
6

ROTATION CW



内置风叶

RED MARK



For the buyer's confirmation :
(Please sign this drawing here)

ITEM	DATE	SIGN	DESCRIPTION	REV.	APP.

OUTLINE DRAWING

NOTE NO.1: R9-775SH-6822-95-HM

UNIT: MM P/O NO.

DWG. BY Samuel 2021-9-17

CHK. BY

APP. BY

PART NO. YP2.002.1405A

REV. A

1 2 3 4 5 6