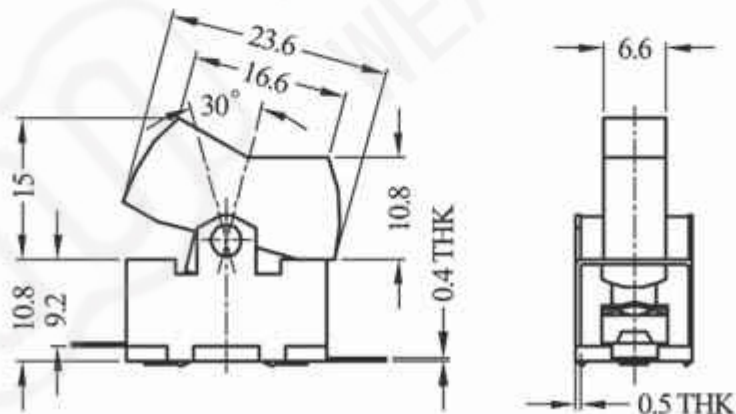
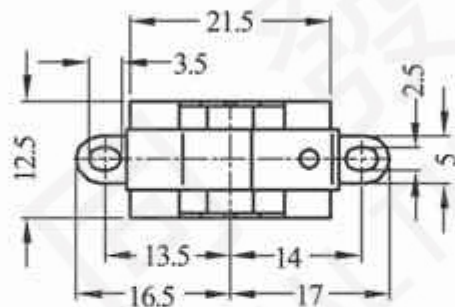
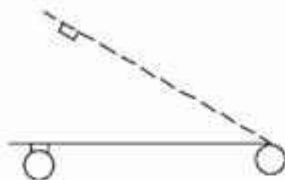


RS-1122



RATING: AC 50V 0.5A