

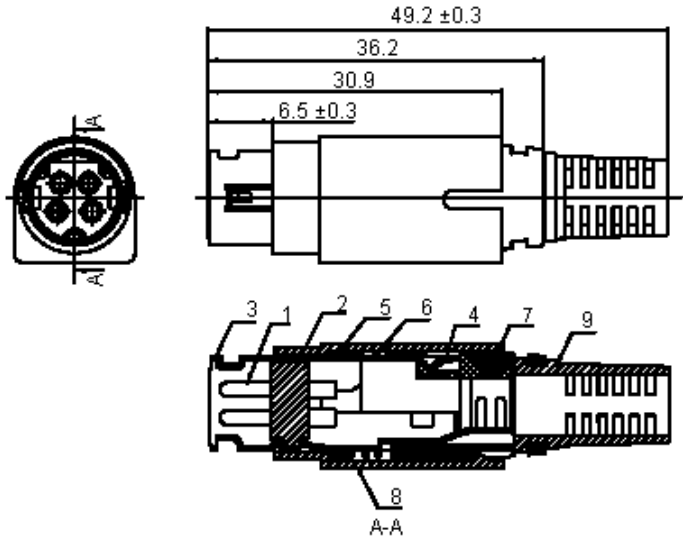


PART NO.

PM4490002-A05

REVISIONS

ECN #	REV	DESCRIPTION	DRAWN	DATE	CHECKD	DATE	APPRVD	DATE
-	A	RELEASED	SID	03/6/11	VEE	03/6/11		17/6/11



Dimensions : Millimetres

Specifications:

Maximum rating	: Pin 1, 2, 3 and 4 : 20 V dc 7.5 A or 30 V dc 5 A
Maximum contact resistance	: 30 mΩ
Minimum insulation resistance	: 250 V dc 50 MΩ
Voltage withstanding	: 250 V dc 1 min
Applicable wire size	: Pin 1, 2, 3 and 4 : AWG # 18 Maximum



Specification Table

Item	Material	Finish
1	Brass	Silver Plated
2	PBT + 30% GF	Black
3	Brass, T = 0.4 ± 0.03 mm	Nickel Plated
4		
5	(POM M90)	Black
6	(SWP-A) 0.6 ± 0.05	-
7	PC	
8	Nylon 66	
9	PVC (35P 40P 45P 54P)	

Important Notice : This data sheet and its contents (the "Information") belong to the members of the Premier Farnell group of companies (the "Group") or are licensed to it. No licence is granted for the use of it other than for information purposes in connection with the products to which it relates. No licence of any intellectual property rights is granted. The Information is subject to change without notice and replaces all data sheets previously supplied. The Information supplied is believed to be accurate but the Group assumes no responsibility for its accuracy or completeness, any error in or omission from it or for any use made of it. Users of this data sheet should check for themselves the information and the suitability of the products for their purpose and not make any assumptions based on information included or omitted. Liability for loss or damage resulting from any reliance on the Information or use of it (including liability resulting from negligence or where the Group was aware of the possibility of such loss or damage arising) is excluded. This will not operate to limit or restrict the Group's liability for death or personal injury resulting from its negligence. Multicomp is the registered trademark of the Group. © Premier Farnell plc 2011.

TOLERANCES:

UNLESS OTHERWISE SPECIFIED, DIMENSIONS ARE FOR REFERENCE PURPOSES ONLY.

DRAWN BY:	DATE:
SID	03/06/11
CHECKED BY:	DATE:
VEE	03/06/11
APPROVED BY:	DATE:
	17/06/11

DRAWING TITLE:

DC Power Plug - 4 Pole

SIZE A	DWG NO. M10002671	ELECTRONIC FILE 1876289	REV A
SCALE: NTS	U.O.M.: mm	SHEET: 1 OF 2	

