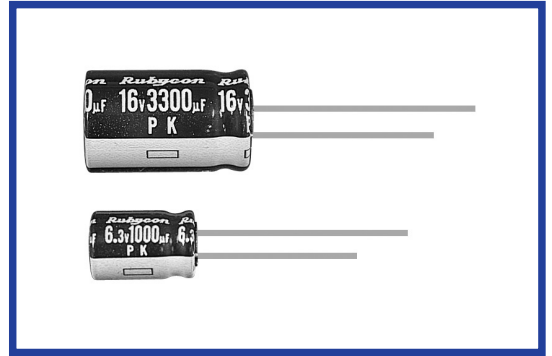


PK SERIES
85°C Standard
◆FEATURES

- Load life : 85°C 2000 hours.
- RoHS compliance.


◆SPECIFICATIONS

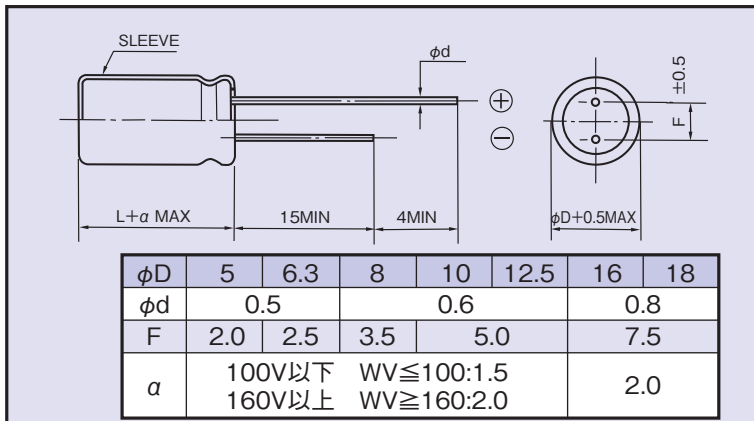
Items	Characteristics		
Category Temperature Range	-40~+85°C	-25~+85°C	
Rated Voltage Range	6.3~400V.DC	450V.DC	
Capacitance Tolerance	±20%(20°C, 120Hz)		
Leakage Current(MAX)	6.3~100V.DC	160~450V.DC	
	I=0.01CV or 3µA whichever is greater. (After 2 minutes application of rated voltage)	CV≤1000	CV>1000
		I=0.1CV+40µA (1minute) I=0.03CV+15µA (5minutes)	I=0.04CV+100µA (1minute) I=0.02CV+25µA (5minutes)
	I=Leakage Current(µA)	C=Rated Capacitance(µF) V=Rated Voltage(V)	
(tanδ) Dissipation Factor(MAX)	Rated Voltage (V)	6.3 10 16 25 35 50 63 100 160 200 250 350 400 450 (20°C, 120Hz)	
	tanδ	0.28 0.24 0.20 0.16 0.14 0.12 0.10 0.10 0.20 0.20 0.20 0.25 0.25 0.25	
When rated capacitance is over 1000µF, tanδ shall be added 0.02 to the listed value with increase of every 1000µF.			
Endurance	After applying rated voltage with rated ripple current for 2000hrs at 85°C, the capacitors shall meet the following requirements.		
	Capacitance Change	Within ±25% of the initial value.	
	Dissipation Factor	Not more than 200% of the specified value.	
Leakage Current	Not more than the specified value.		
Low Temperature Stability Impedance Ratio(MAX)	Rated Voltage (V)	6.3 10 16 25 35 50 63 100 160 200 250 350 400 450 (120Hz)	
	Z(-25°C)/Z(20°C)	5 4 3 2 2 2 2 2 3 3 4 5 5 7	
	Z(-40°C)/Z(20°C)	12 10 8 5 4 3 3 3 4 4 8 8 10 -	

◆DIMENSIONS

(mm)

◆MULTIPLIER FOR RIPPLE CURRENT

Frequency coefficient



Frequency (Hz)	60(50)	120	500	1k	10k≤
Coefficient	0.47~1µF	0.50	1.00	1.20	1.30 1.50
	2.2~4.7µF	0.65	1.00	1.20	1.30 1.50
	10~47µF	0.80	1.00	1.20	1.30 1.50
	100~1000µF	0.80	1.00	1.10	1.15 1.20
	2200~33000µF	0.80	1.00	1.05	1.10 1.15

◆PART NUMBER

□□□	PK	□□□□□	□	□□□	□□	D×L
Rated Voltage	Series	Rated Capacitance	Capacitance Tolerance	Option	Lead Forming	Case Size

