

广东胜牌绝缘材料有限公司

GUANGDONG SHENGPAL INSULATION MATERIALS CO., LTD

规格承认书

SPECIFICATION FOR APPROVAL

品名/规格:
STYLES&SIZE:

PET编织网管

客户名称:
CUSTOMER:

设计卡号:
ED NO:

承认书号:
APPROVAL NO

SP-2020092605

制定日期:
SET A DATE

2022-3-16

版本版次:
EDITION

A/0

签章栏 APPROVAL COLUMN			客户确认栏 CUSTOMER APPROVAL COLUMN	
制定	审核	核准	确认	核准
王广亮	黄磊	黄磊		

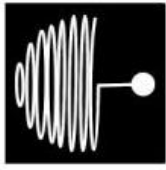
广东胜牌绝缘材料有限公司

GUANG DONG SHENGPAL INSULATION MATERIALS CO., LTD

地址: 广东省东莞市虎门镇路东新安大道新园南三路10号

Address: No.10 Xinyuan Nan San Road, Dongxinan Avenue,
Humen Town, Dongguan City, Guangdong Province

电话: 0769-38972006 Tel :0769-38972006



广东胜牌绝缘材料有限公司

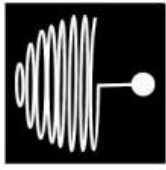
GUANGDONG SHENGPAL INSULATION MATERIALS CO., LTD

Product Description		PET BRAIDED SLEEVING
物性表 Property list	产品描述	PET编织网管
	牌号 No.	
工作温度 Working Temperature	-50℃ ~ 150℃	
材 质 Materail	采用优质聚酯单丝纺织制成 High quality polyester monofilament textile	
用 途 Application	产品具有优良的力学性能。 产品广泛应用于通讯、高铁、汽车、自动化设备、电动车、机器人制造业、仪表的电线、电缆、扁平线束及软管上，尤其适用于不规则形状的线束领域。	
环保标准 Environmental protection standard	符合ROHS2.0 Fullfill ROHS2.0	
标准颜色 Standard colour	Black, orange, yellow, blue, white, etc 黑色、橙色、黄色、蓝色、白色等	
阻燃性能 Flame retardant property	UL94 V-2	

The product has excellent mechanical properties.

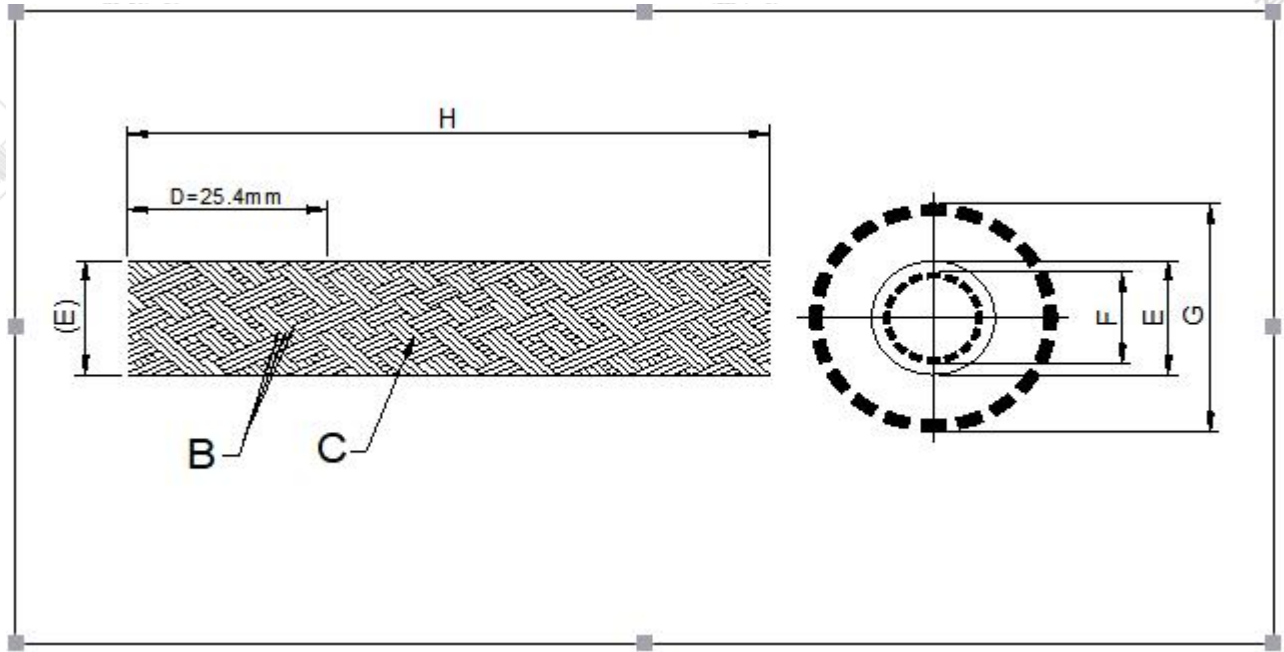
Products are widely used in communications, high-speed rail, automobile, automation equipment, electric Wire, cable, flat harness and hose of automobile, robot manufacturing, instrument,

Especially suitable for irregular shape wire harness field



广东胜牌绝缘材料有限公司

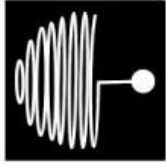
GUANGDONG SHENGPAI INSULATION MATERIALS CO., LTD



PET BRAIDED SLEEVING Datasheet
PET编织网管规格明细

规格 Type	Spindle No. 锭数	B	C	D目数	E Width	F Min.	G Max.	Packing QTY 包装数量
		根数	wire diameter 线径mm	25.4mm中的 In the 25.4 mm pitch 节距	宽度mm	最小范围mm	最大范围mm	
2MM	16	3	0.20±0.05	8	3.0±1	2.0±2	4.0±2	500M/R
3MM	16	3	0.20±0.05	8	3.0±1	2.0±2	4.0±2	500M/R
4MM	24	3	0.20±0.05	9	4.0±1	3.0±2	6.0±2	500M/R
6MM	32	3	0.20±0.05	8	6.0±1	5.0±2	9.0±2	500M/R
8MM	40	3	0.20±0.05	8	8.0±1	7.0±2	10.0±2	500M/R
10MM	48	3	0.20±0.05	8	10.0±1	8.0±2	12.0±2	500M/R
12MM	56	3	0.20±0.05	8	12.0±1	10.0±2	14.0±2	200M/R
14MM	48	3	0.25±0.05	8	14.0±2	12.0±2	18.0±2	200M/R

16MM	56	3	0.25±0.05	8	16.0±2	14.0±2	22.0±2	200M/R
18MM	64	3	0.25±0.05	8.5	18.0±2	15.0±2	23.0±2	100M/R
20MM	64	3	0.25±0.05	8	20.0±3	16.0±3	25.0±3	100M/R
22MM	72	3	0.25±0.05	8.5	22.0±3	17.0±3	28.0±3	100M/R
25MM	72	3	0.25±0.05	8	25.0±3	18.0±3	30.0±3	100M/R
30MM	96	3	0.25±0.05	8.5	30.0±6	20.0±5	35.0±5	100M/R
35MM	96	3	0.25±0.05	8	35.0±6	28.0±5	38.0±5	100M/R
38MM	120	3	0.25±0.05	7	38.0±6	30.0±5	40.0±5	100M/R
40MM	120	3	0.25±0.05	7	40.0±10	30.0±5	50.0±5	100M/R
45MM	120	4	0.25±0.05	6	50.0±15	40.0±10	60.0±10	100M/R
50MM	120	4	0.25±0.05	6	50.0±15	40.0±10	60.0±10	100M/R
55MM	120	5	0.25±0.05	6	60.0±20	50.0±10	80.0±10	50M/R
60MM	120	5	0.25±0.05	6	60.0±20	50.0±10	80.0±10	50M/R
70MM	120	6	0.25±0.05	5	70.0±20	60.0±10	90.0±10	50M/R
80MM	120	7	0.25±0.05	4	80.0±20	70.0±10	120.0±10	50M/R
90MM	120	8	0.25±0.05	5	90.0±20	70.0±10	120.0±10	50M/R
100MM	120	9	0.25±0.05	4	100.0±20	80.0±10	180.0±10	50M/R



广东胜牌绝缘材料有限公司

GUANGDONG SHENGPAL INSULATION MATERIALS CO., LTD

PET编织网管材质证明

Percentage of substance content %

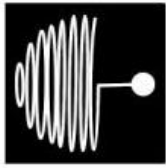
产品型号 Product Type	组成部件 Parts	组成部件 均质材料名称 Material Material name	均质材料中构成 元素名称 Material name	No. CAS编号	物质含量 百分比
PET	Raw Material 原料	PET chip 聚酯切片	PET	25038-59-9	98.4%
	Color Masterbatch 色母	Pigment 色母	Pigment	133-86-4	1.2%
	fire retardant 阻燃剂	TCEP 阻燃剂	TCEP 阻燃剂	14657-64-8	0.4%

特此证明

Hereby prove!

广东胜牌绝缘材料有限公司





广东胜牌绝缘材料有限公司

GUANGDONG SHENGPAL INSULATION MATERIALS CO., LTD

一、物品与厂商资料 Article and manufacturer information				
物品名称: PET编织网管 Article: PET woven web pipe				
二、成份辨识数据 Component identification data				
产品名称 Name	组成部件 均质材料名称 Material	均质材料中构成元 素名称 Material name	CAS编号 No.	Percentage of substance content% 物质含量百分比
编织网管 BRAIDED SLEEVING	聚酯切片 PET chip	PET	25038-59-9	98.4%
	颜料 Pigment 色母 Color Masterbatch	Pigment		1.2%
	阻燃剂 Fire retardant	甲基膦酸二甲酯 DMMP	14657-64-8	0.4%
三、危害辨识数据 Hazard identification data				
最重要危害效应 Most significant harm effects	3.1 健康危害: 点燃后有少量烟雾产生, 对人体呼吸道产生轻微伤害。 Health hazards: After ignition, a small amount of smoke produces, causing minor damage to the human respiratory tract			
	3.2 健康危害效应: 常态下不会对环境造成污染 Health hazard effects: It will not cause pollution to the environment under normal conditions			
	3.3 环境影响: 无 Environmental impacts: NO			
	3.4 特殊危害: 无 Special hazards: NO			
最重要危害效应 Most significant harm effects	3.5 主要症状: 无 Main symptoms: NO			
	3.6 物品危害分类: 遇明火会被点燃。 Item hazard classification: if an open fire will be lit.			
四、急救措施 First aid measures				
4.1 不同暴露途径之急救方法: First aid methods for different exposure routes:				
A. 吸入: 正常情况下不会吸入。 Inhalation: Normally, it is not inhaled.				
B. 皮肤接触: 正常接触不会对皮肤造成危害。 Skin contact: Normal contact does not cause harm to the skin.				
C. 眼睛接触: 避免燃烧后分解的气体。如接触该气体, 请立即送医。				

<p>Eye contact: Avoid gas decomposition after combustion. If you contact the gas, please send it to the doctor immediately.</p> <p>D. 食入: 本品不可食用。</p> <p>Food in: This product is not edible.</p>
<p>4.2 严重症状及危害效益: 吸入燃烧烟雾, 冲击呼吸系统。</p> <p>Severe symptoms and harm benefits: inhalation of burning smoke, impact on the respiratory system.</p>
<p>4.3 对急救人员防护要求: 配戴呼吸防护装置。</p> <p>Protection requirements for first-aid personnel: wear a respiratory protective device.</p>
<p>4.4 对医师要求: 请依据当前症状进行诊断。</p> <p>Requirements for doctors: Please diagnose them according to the current symptoms.</p>
<p>五、 灭火措施</p> <p>Fire fighting measures</p>
<p>5.1 适用灭火剂: 二氧化碳, 化学干粉, 泡沫</p> <p>Suitable fire extinguishing agent: carbon dioxide, chemical dry powder, foam</p>
<p>5.2 灭火时可能遭遇之特殊危害: 燃烧时会产生烟尘。</p> <p>Special hazards that may occur when extinguishing the fire: smoke occurs when burning.</p>
<p>5.3 特殊灭火程序: 灭火时注意保护眼、鼻、嘴, 不要吸入燃烧时产生的烟尘。</p> <p>Special fire extinguishing procedures: pay attention to protect the eyes, nose and mouth when extinguishing the fire, and do not inhale the smoke produced during burning.</p>
<p>5.4 消防人员特殊防护要求: 灭火人员需要经过专业训练, 穿防护衣。</p> <p>Special protection requirements for fire personnel: fire extinguishing personnel need to undergo professional training and wear protective clothing.</p>
<p>六、 泄漏处理方法</p> <p>Leakage treatment method</p>
<p>6.1 应急人员防护: 无</p> <p>Emergency personnel protection: No</p>
<p>6.2 环境保护事项: 无</p> <p>Environmental protection matters: No</p>
<p>6.3 清理方法: 以一般工具清扫即可, 也可以手拾起来。</p> <p>Cleaning method: cleaning with general tools, can also pick up in hand.</p>
<p>七、 安全处置与储存方法</p> <p>Safe disposal and storage method</p>
<p>7.1 安全操作处置及注意事项: 本品不可以缠绕在脖子上以免造成窒息。</p> <p>Safety operation disposal and precautions: this product can not be wrapped around the neck to cause suffocation.</p>
<p>7.2 安全储存条件及注意事项: 存储时请保持原包装, 避免散落在地上, 以免滑倒。请放在儿童不可接触的地方, 以免误食。存储区域应该干燥、通风且远离高温和火源。避免阳光直射。</p> <p>Safety storage conditions and precautions: please keep the original packaging when storage, avoid scattered on the ground, to avoid slipping. Please be inaccessible to children to avoid misfood. Storage area shall be dry, ventilated and away from high temperatures and fire sources. Avoid direct sunlight.</p>
<p>八、 暴露预防措施</p> <p>Exposure prevention measures</p>

<p>工程控制：无 Engineering control: no</p>			
<p>个人防化设备Personal anti-chemical equipment 呼吸防护：无Respiratory protection: no 手部防护：无Hand protection: no 眼睛防护：无Eye protection: no 皮肤及身体防护：无Skin and body protection: No 卫生措施：保持原有包装并按秩序放置。 Sanitary measures: Keep the original packaging and place it in order.</p>			
<p>九、 安全性及反应性 Safety and Reactivity</p>			
<p>稳定性：正常情况下稳定。 Stability: Stability under normal conditions. 特殊状态下可能之危害反应：燃烧后产生烟尘。高温下会熔化，避免接触以免烫伤。 Possible hazard reaction in a special state: smoke is produced after combustion. It will melt at high temperature to avoid contact to avoid scald. 应避免接触之条件：高温、明火 Contact conditions should be avoided: high temperature and open fire 应避免接触之物质：无 Substances that should be avoided: No 可能分解之危害产物及危害：燃烧后产生烟尘，不可以吸入，避免眼睛接触。 Hazardous products and hazards that may be decomposed: produce smoke after combustion, can not be inhaled, to avoid eye contact.</p>			
<p>十、 物理及化学性质 Physical and chemical properties</p>			
物质状态：固体	Material status: solid	形状：网状	Shape: mesh
颜色：常规色为黑色，其它颜色另下订单	颜色：常规色为黑色，其它颜色另下订单 Color: Black, other color could be ordered.	气味：无	Smell: no
PH值：NA	PH值：NA	沸点/沸点范围：NA	Boiling point / boiling point range: NA
熔点：240±10℃	Melting point:240 ± 10℃	闪火点：NA	flash point:NA
点燃温度：NA	Light-up temperature: NA	爆炸界限：本品不会爆炸	Explosion limit: This product will not explode
蒸气压：NA	vapour pressure:NA	蒸气密度（空气=1）：NA	Vapour density (air =1): NA
相对密度（水=1）：NA	Relative density (water =1): NA	溶解度：NA	solubility:NA
<p>其他物理化学性质：可以点燃，高温下会熔化。 Other physical and chemical properties: They can be lit and melt at high temperatures.</p>			
<p>十一、 毒性资料 Toxicity data</p>			

急性毒性: NA ; acute toxicity:NA	
刺激性: NA thrill:NA	
过敏效应: NA Allergic effect: NA	
慢性毒性及长期毒性: 燃烧时产生的烟尘会危害人体健康。 Chronic toxicity and long-term toxicity: the soot produced when burning can harm human health.	
局部效应: NA local effect:NA	
致畸性: NA teratogenicity:NA	
致癌性: NA carcinogenicity:NA	
其他特殊效应: NA Other special effects: NA	
十二、 生态资料 Ecological information	
可能之环境影响/环境分布: 正常情况下, 不会对环境造成污染。本品不可以溶于水中、不可生物降解。 Possible environmental impact / environmental distribution: Normally, no environmental pollution. This product can not be soluble in water, but it is not biodegradable	
十三、 废弃处置方法 Disposal method	
废弃处置方法: 回收利用事宜请联系生产厂商。处理时请参考现行法律、法规。 Waste disposal method: please contact the manufacturer for recycling matters. Please refer to the current laws and regulations when handling them.	
十四、 运送资料 Shipping information	
NA	
十五、 法规资料 Regulatory information	
NA	
十六、 其他数据 Other data	
NA	
编制单位 Prepared by	广东胜牌绝缘材料有限公司 GUANG DONG SHENGPAL INSULATION MATERIALS CO.,LTD 地址: 广东省东莞市虎门镇路东新安大道新园南三路10号 Address: No.10 Xinyuan Nan San Road, Dongxinan Avenue, Humen Town, Dongguan City, Guangdong Province 电话: 0769-38972006 Tel :0769-38972006