



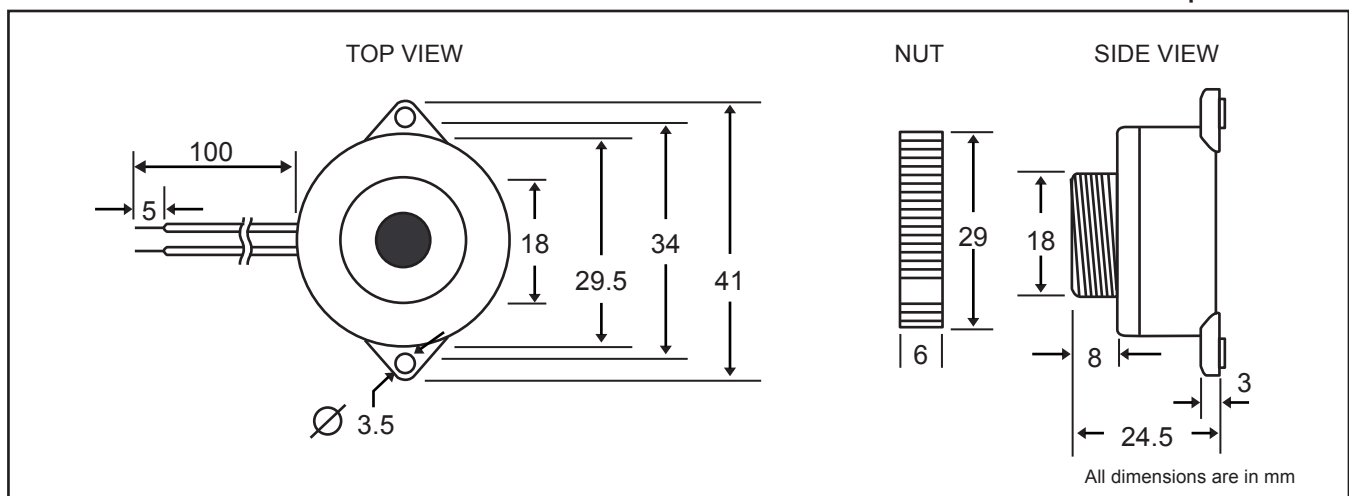
SPL (Hong Kong) Limited

Block D, 9/F, Capital Trade Centre, 62 Tsun Yip St., Kwun Tong, Kln., HK.
 Tel: 852-23426867 / 57 Fax: 852-23426847 Email: sales@spl-hk.com.hk
 www.buzzer.com.hk ; www.transducer.com.hk ; www.connector.com.hk

Piezo Buzzer SPB11 series

DIMENSIONS

Date : 11 Apr. 2001



ELECTRICAL SPECIFICATIONS

Model No.		PB11PD24AW
Operating Voltage □	[VDC]	12 ~ 28
Rated Voltage	[VDC]	24
* Max. Rated Current □	[mA]	20
* Min. Sound Output □	[dBA /30cm]	92
* Frequency □ □	[Hz]	3700 +/- 500
Tone Nature		Pulse
Operating Temperature □	[°C]	-20 ~ +60
Terminal		Wire
Housing Material		ABS
Colour		Black
Weight □ □ □	[gm]	15

*Value applying at rated voltage