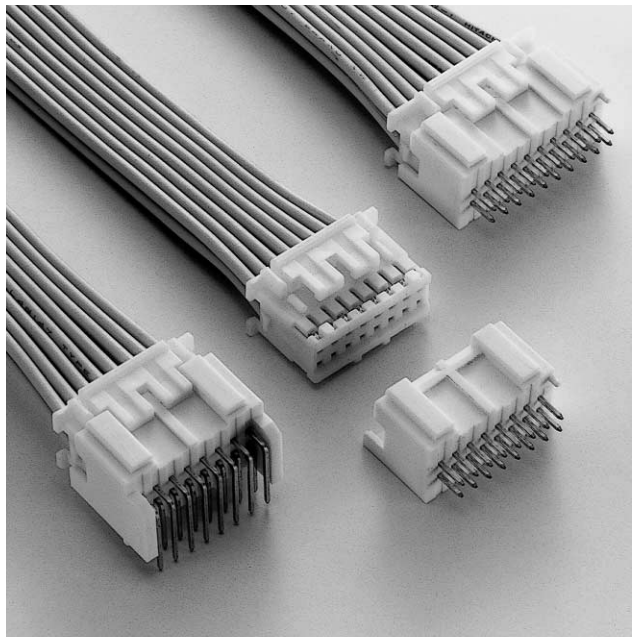
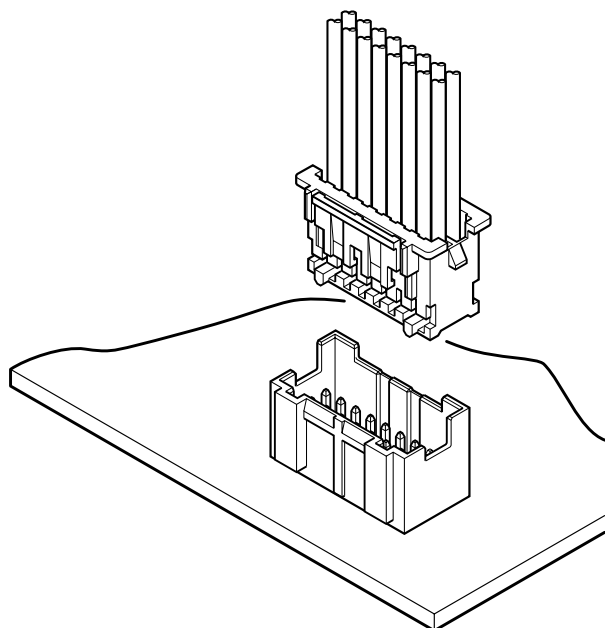


PAD CONNECTOR

Disconnectable Crimp style connectors



Dual-row construction allows high density mounting.



Features

• Locking device

The housing has a locking device to securely hold the header, preventing accidental disconnection because of external forces that might result from the routing of wires during assembly process or of vibration.

• Reliable contacts

The contact has long dimples near the center that ensure continuity of low voltage and low current circuits at all times, even under conditions of vibration and abusive prying.

• Insertion guide mechanism

Header has housing insertion guides for easy and secure insertion.

• Polarizing boss

Top entry type headers with polarizing bosses are also available.

Specifications

- Current rating: 3A AC, DC (AWG#22)
- Voltage rating: 250V AC, DC
- Temperature range: -25°C to +85°C
(including temperature rise in applying electrical current)
- Contact resistance: Initial value/10m Ω max.
After environmental testing/20m Ω max.
- Insulation resistance: 1,000M Ω min. (Initial value)
- Withstanding voltage: 800V AC/minute
- Applicable wire: AWG #28 to #22
- Applicable PC board thickness: 1.6mm(.063")
- * Contact JST if Lead-Free product is required.
- * Refer to "General Instruction and Notice when using Terminals and Connectors" at the end of this catalog.
- * Contact JST for details.

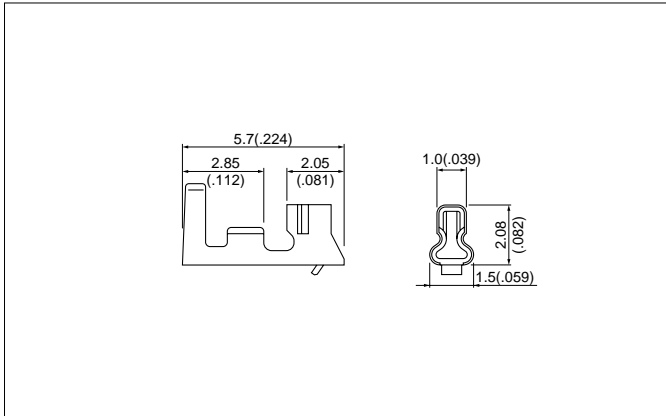
Standards

Ⓜ Recognized E60389

Ⓢ Certified LR20812

PAD CONNECTOR

Contact

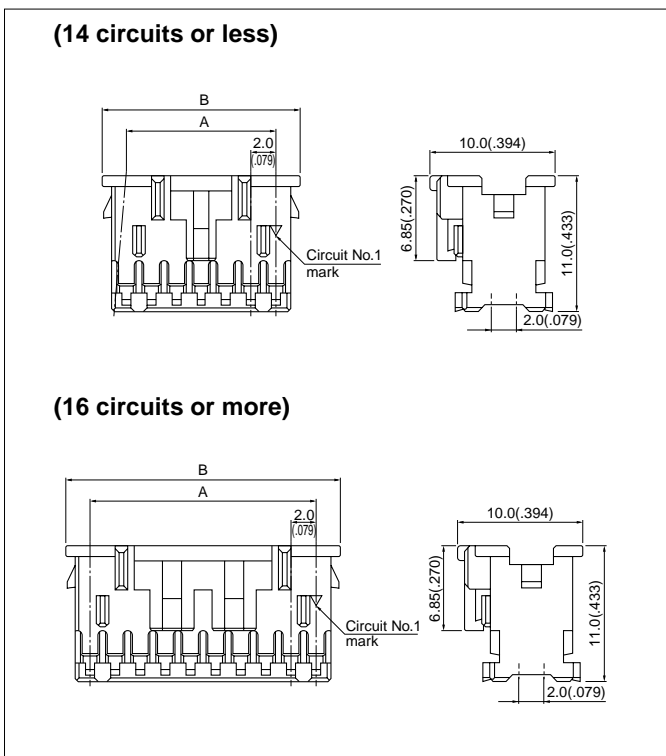


Model No.	Applicable wire			Q'ty / reel
	mm ²	AWG #	Insulation O.D. mm(in.)	
SPH-001T-P0.5L	0.13 to 0.33	26 to 22	1.0 to 1.5(.039 to .059)	8,000
SPH-002T-P0.5L	0.08 to 0.22	28 to 24	0.8 to 1.5(.031 to .059)	

Material and Finish

Phosphor bronze, tin-plated

Housing



Circuit	Model No.	Dimensions mm(in.)		Q'ty / bag
		A	B	
10	PADP-10V-1-S	8.0(.315)	12.0(.472)	1,000
12	PADP-12V-1-S	10.0(.394)	14.0(.551)	1,000
14	PADP-14V-1-S	12.0(.472)	16.0(.630)	1,000
16	PADP-16V-1-S	14.0(.551)	18.0(.709)	250
20	PADP-20V-1-S	18.0(.709)	22.0(.866)	200
22	PADP-22V-1-S	20.0(.787)	24.0(.945)	1,000
24	PADP-24V-1-S	22.0(.866)	26.0(1.024)	1,000
40	PADP-40V-1-S	38.0(1.496)	42.0(1.654)	500

Material

Nylon 66, UL94V-0, natural (white)

<For reference> As the color identification, the following alphabet shall be put in the underlined part. For availability, delivery and minimum order quantity, contact JST.

ex. **PADP-16V-1-S**

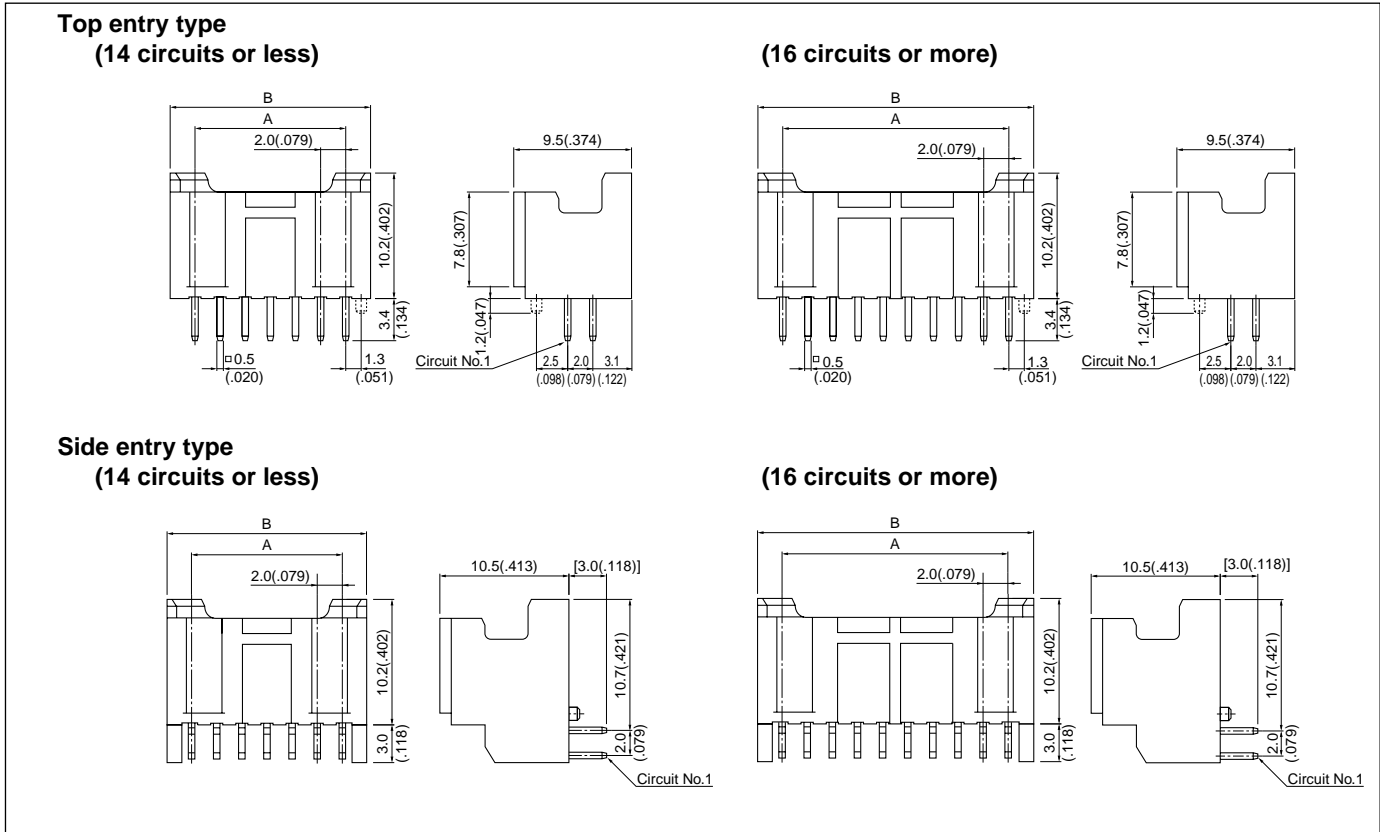
S...natural (white)

K...black R...red Y...yellow E...blue M...green P...purple

L...lemon yellow

PAD CONNECTOR

Shrouded header



Circuit	Model No.			Dimensions mm(in.)		Qty / box	
	Top entry type		Side entry type	A	B	Top entry type	Side entry type
	With a boss	Without a boss					
10	B10B-PADSS-1	B10B-PADSS	S10B-PADSS-1	8.0(.315)	12.0(.472)	400	504
12	B12B-PADSS-1	B12B-PADSS	S12B-PADSS-1	10.0(.394)	14.0(.551)	300	420
14	B14B-PADSS-1	B14B-PADSS	S14B-PADSS-1	12.0(.472)	16.0(.630)	300	-
16	B16B-PADSS-1	B16B-PADSS	S16B-PADSS-1	14.0(.551)	18.0(.709)	200	336
20	B20B-PADSS-1	B20B-PADSS	S20B-PADSS-1	18.0(.709)	22.0(.866)	150	280
22	B22B-PADSS-1	B22B-PADSS	-	20.0(.787)	24.0(.945)	150	-
24	B24B-PADSS-1	B24B-PADSS	S24B-PADSS-1	22.0(.866)	26.0(1.024)	150	224
40	B40B-PADSS-1	-	-	38.0(1.496)	42.0(1.654)	100	-

Material and Finish

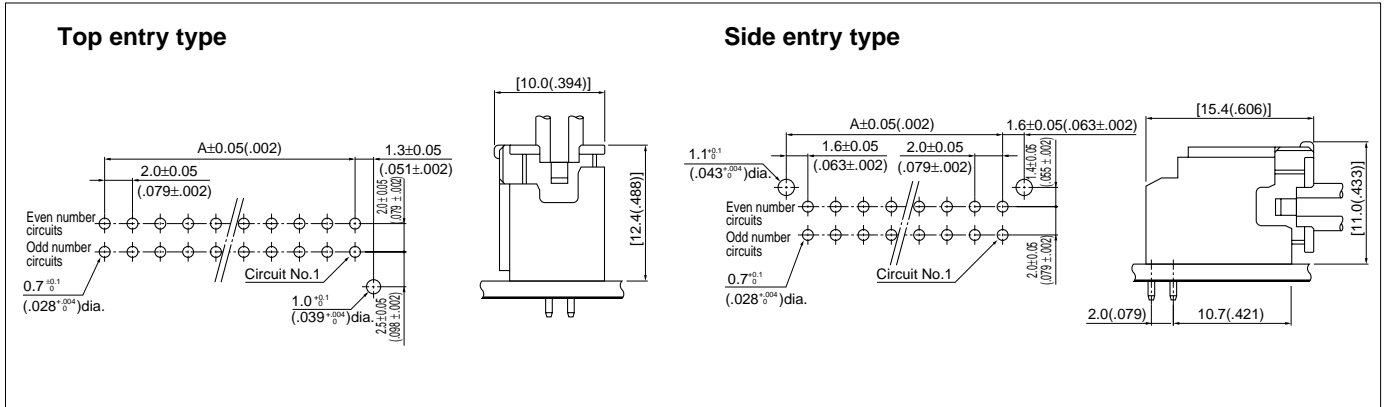
Post: Copper alloy, copper-undercoated, tin/lead-plated
 Wafer: Glass-filled PBT, UL94V-0, natural (white)

<For reference> As the color identification, the following alphabet shall be put in the underlined part. For availability, delivery and minimum order quantity, contact JST.

ex. **B16B-PADSS(-1)**
 S...natural (white)
 K...black R...red Y...yellow E...blue M...green P...purple
 L...lemon yellow

PAD CONNECTOR

PC board layout (viewed from component side) and Assembly layout



Note:

1. Tolerances are non-cumulative: $\pm 0.05\text{mm}(\pm .002")$ for all centers.
2. Hole dimensions differ according to the kind of PC board and piercing method. If printed circuit boards made of hard material are used, the hole dimensions should be larger. The dimensions above should serve as a guideline. Contact JST for details.

Applicator for the semi-automatic press AP-K2N

Contact	Crimp applicator MKS-L		Compact crimp applicator MKS-LS		Strip-crimp applicator MKS-SC
	with safety cover	without safety cover	with safety cover	without safety cover	with safety cover
SPH-001T-P0.5L	APLMK SPH001-05L	APLNC SPH001-05L	APLMKLS SPH001-05L	APLLSNC SPH001-05L	-
SPH-002T-P0.5L	APLMK SPH002-05L	APLNC SPH002-05L	APLMKLS SPH002-05L	APLLSNC SPH002-05L	APLSC SPH002-05L