

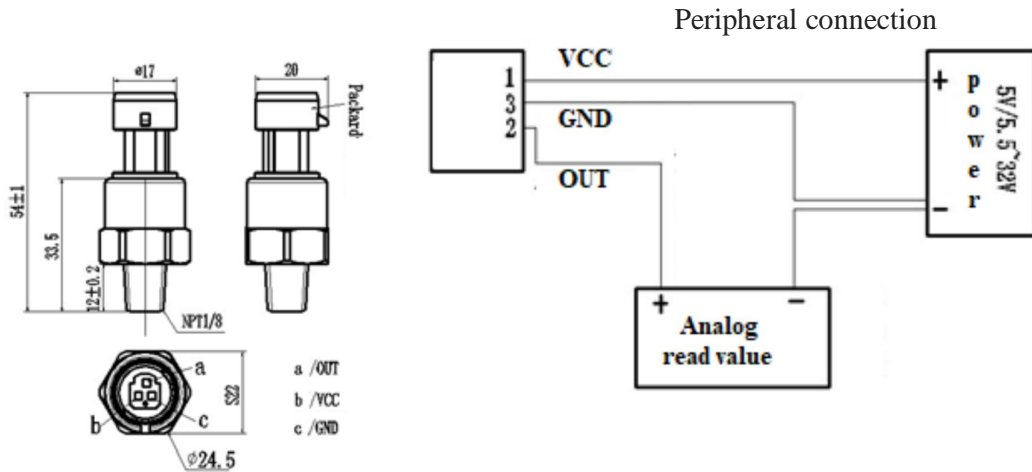
NP-TP-OK Pressure Sensor



FEATURES AND APPLICATIONS

Using stainless steel shell, advanced pressure ceramic core and dedicated processing chip;
 High precision, small size, light weight, easy to install and operate;
 Stable performance, long-term drift, long life;

Size/Definition Perfect EMC protection;
 Matching models: Universal.



Technical parameter reference table

Number: /	Blowout prevention level:	IP65 Material: Stainless steel
Response time: < 10ms	Supply: 5VDC	Process: Piezoresistive type
Thread interface: NPT1/8	Output type: Simulation	Range: 0~30、80、100、150...5000PSI
Output: Three wire	OUT: 0.5~4.5V (Optional)	Pressure overload: overload: 2 x the pressure
Burst pressure: 3 x the pressure of full scale		
Comprehensive precision (nonlinear, repeatability and hysteresis): ±1% · FS(0~80°C) ±1.5%FS(-20~100°C) ±3%FS(-40~125°C)		
Electrical connections: Packard Three core Packard joint 1 connector or related		

Product Model

models	NPTP(ceramic core) NPGP(Bare silicon core) NPCP(Oil flush)									
	Oil flush	K: kPaP: PSI, B: bar, M:MPa								
		precision	1: 1%FS; 2: 0.5%FS; 3: 0.25%FS;							
			output signal	V1:0.5-4.5V; V2:0-5V; V3:0-10V; V4:1-5V; A:4-20mA; I: I2C S:RS485 S0: other						
				powered by	P1: 5VDC / P2: 9-32VDC / P3: 12-24VDC / P4: 3.3V / P0: other					
				installation interface	G1:G1/8 G2:G1/4 G3:G1/2 N1:NPT1/8 N2:NPT1/4 M1:M10*1 M2:M14*1.5 M3:M20*1.5 M0: custom made;					
	electric connect	W1:PACK head W2: Plastic straight out W3: Metal PG: Straight out W4: Little Hersman W5: Big Hersman W6: Aerial insertion								
NPTP	10B	1	V4	P3	N1	W1				Manufacturer code

