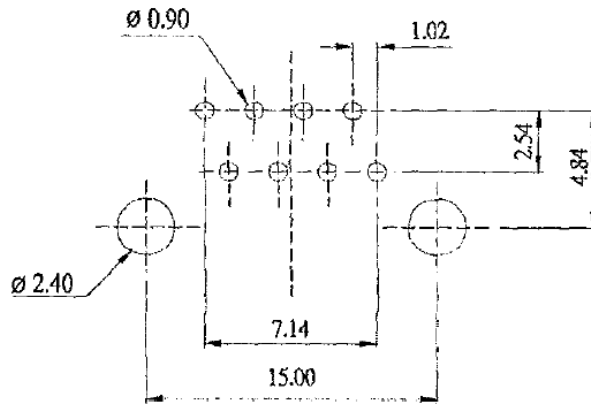
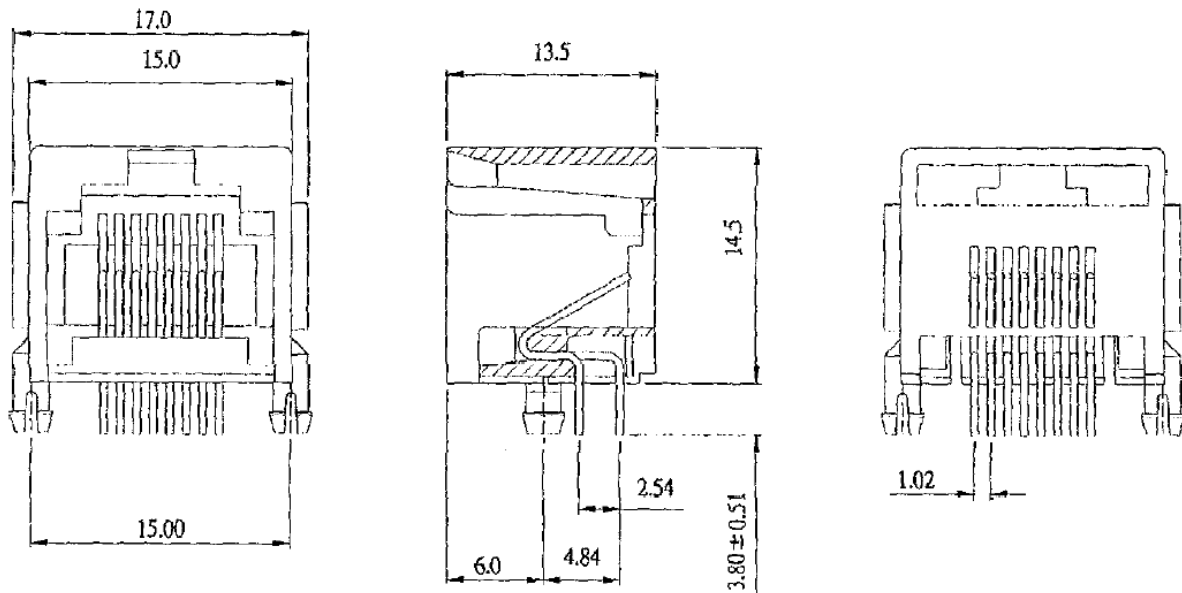


N35 SERIES - SIDE ENTRY MINI L/P PCB JACK <8P>



Technical Data

Housing : Standard Material
 Glass Filled Polyester UL94V-0
 Standard Colour : Medium Gray
 Optional Colour : Black
 Contact : 0.46mm Diameter Phosphor Bronze
 Gold Plating Over Nickel

PC Board Layout

Ordering Information

