

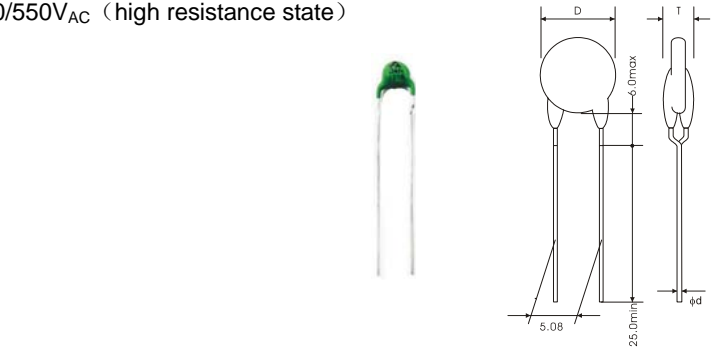
Characteristics

1. MZ11 series PTC thermistor is pins wire coated parts. MZ11A series is pins wire without coating.
2. Can operate continuously in voltage 265/420/550V_{AC} (high resistance state)
3. Quick response.
4. Long stability
5. Do not need to be reset after protection.
6. No contact point, no noise.

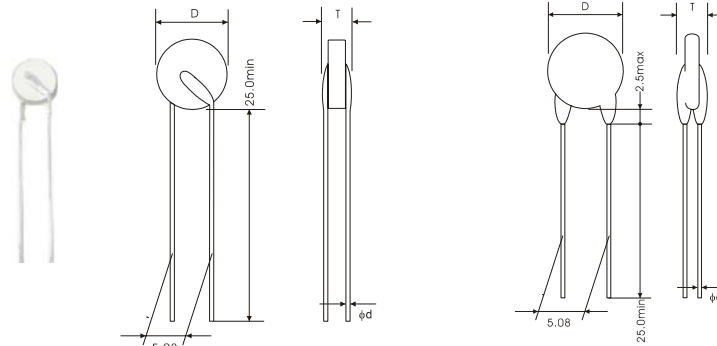
Application

1. Multimeter, electric kilowatt-hour meter.
2. Electronic meter and instrument.
2. Electronic circuit.

Dimension (Unit: mm)



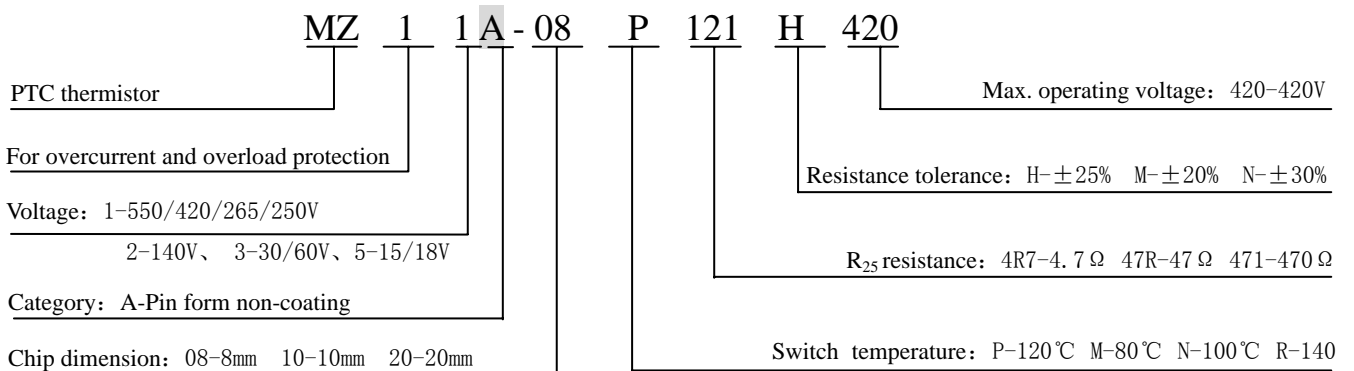
MZ11 series



MZ11A series

MZ11 series

Part number explanation



Data sheet

Part number	Resistance R ₂₅ (Ω) ±30%	Non-trip current Int (mA)		Trip current @25°C I _t (mA)	Max. operating voltage V _{max} (V)	Max. current I _{max} (A)	Switch temperature T _c (°C)	Dimension (mm)		
		@25°C	@60°C					D _{max}	T _{max}	Φd
MZ11-03M151N265	150	20	15	50	265	0.2	80 (M)	4.5	5.0	0.5
MZ11-03M102N265	1000	10	7	20	265	0.1		4.5	5.0	0.5
MZ11-03M152N265	1500	7	5	15	265	0.1		4.5	5.0	0.5
MZ11-04M45RN265	45	40	30	80	265	0.3		5.5	5.0	0.6
MZ11-05M601N420	600	20	16	40	420	0.2		6.5	5.0	0.6



MZ11-05M232N420	2300	8	6	17	420	0.1	80 (M)	6.5	5.0	0.6
MZ11-05M312N420	3100	5	4	13	420	0.1		6.5	5.0	0.6
MZ11-07M251N265	250	25	20	50	265	0.5		8.0	5.0	0.6
MZ11-07M112M550	1100	15	10	30	550	0.5		8.0	7.0	0.6
MZ11-08M12RN265	12	120	70	220	265	0.8		9.0	5.0	0.6
MZ11-03N151N265	150	30	25	60	265	0.2	100 (N)	4.5	5.0	0.5
MZ11-03N401N265	400	25	20	45	265	0.2		4.5	5.0	0.5
MZ11-05N751N420	750	25	20	45	420	0.2		6.5	5.0	0.6
MZ11-05P39RN265	39	85	70	170	265	0.4	120 (P)	6.5	5.0	0.6
MZ11-05P65RN265	65	70	60	140	265	0.4		6.5	5.0	0.6
MZ11-05P601N420	600	20	16	39	420	0.2		6.5	5.0	0.6
MZ11-05P122N550	1200	15	10	30	550	0.1		6.5	5.0	0.6
MZ11-05P152N550	1500	12	9	24	550	0.1		6.5	5.0	0.6
MZ11A-08P70RN420	70	64	50	127	420	1.4		8.5	7.0	0.6
MZ11A-08P121N420	120	49	40	97	420	1.4		8.5	7.0	0.6
MZ11A-08P151N420	150	43	35	86	420	1.4		8.5	7.0	0.6
MZ11A-08P501N550	500	24	19	48	550	1.0	8.5	7.0	0.6	

Note: 1. R_{25} resistance tolerance can be selected upon customer's requirement.

2 Pin kinked form can be selected.

3. Packing can be made upon customer's requirement.