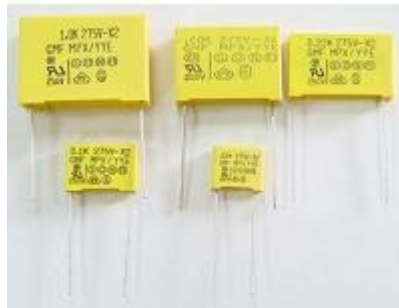


Metalized polypropylene film capacitor



Product ID: MPX

METALLIZED POLYPROPYLENE FILM CAPACITOR

(For Interference Suppression and Across-The-Line, Class X2)

MPX are non-inductively wound with Metallized Polypropylene film dielectric/electrode with radial leads encapsulated in flame-retardant (UL94V- 0) plastic case sealed in epoxy resin. They are ideal for using Line-By-Pass, Antenna coupling, Across-The-Line, Spark killer circuits, available for EMI filter and switching power supply application.

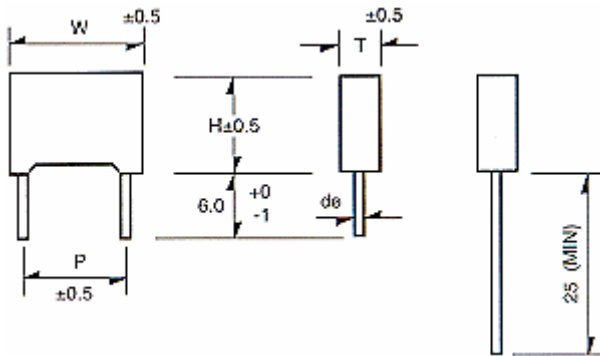
Specifications:

1. OPERATING TEMPERATURE : $-40^{\circ}\text{C} \sim +100^{\circ}\text{C}$
2. DIELECTRIC STRENGTH : Applied 1200VAC for 60 sec. or 2100VDC for 1 sec.
3. DISSIPATION FACTOR :
 - Less than 0.1% at 1KHz , 20°C
 - Less than 0.3% at 10KHz , 20°C
4. INSULATION RESISTANCE :
 - $\square 15,000 \text{ M}\Omega$ (C $\square .33\mu\text{F}$) at $100\pm 15\text{VDC}$ for 60 sec. ± 5 sec at 20°C
 - $\square 5,000 \text{ M}\Omega$ (C $\square .33\mu\text{F}$) at $100\pm 15\text{VDC}$ for 60 sec. ± 5 sec at 20°C

Features:

Provides interference suppression with UL, VDE, CSA, SEMKO, NEMKO, FIMKO, DEMKO, SEV safety approvals High du/dt capabilities

Dimension:



Case Size of Standard Products:

Capacitance	Rated-Voltage	Dimensions in mm				
		W	H	T	P	d
0.0047	275	13	11	5	10	0.6
0.0056	275	13	11	5	10	0.6
0.0068	275	13	11	5	10	0.6
0.0082	275	13	11	5	10	0.6
0.01	275	13	11	5	10	0.6
0.01	275	18	11	5	15	0.8
0.012	275	13	11	5	10	0.6
0.012	275	18	11	5	15	0.8

0.015	275	13	11	5	10	0.6
0.015	275	18	11	5	15	0.8
0.018	275	13	11	5	10	0.6
0.018	275	18	11	5	15	0.8
0.022	275	13	11	5	10	0.6
0.022	275	18	11	5	15	0.8
0.027	275	13	12	6	10	0.6
0.027	275	18	11	5	15	0.8
0.033	275	13	12	6	10	0.6
0.033	275	18	11	5	15	0.8
0.039	275	13	12	6	10	0.6
0.039	275	18	11	5	15	0.8
0.047	275	13	12	6	10	0.6
0.047	275	18	11	5	15	0.8
0.056	275	13	12	6	10	0.6

0.056	275	18	12	6	15	0.8
0.068	275	13	12	6	10	0.6
0.068	275	18	12	6	15	0.8
0.082	275	13	12	6	10	0.6
0.082	275	18	12	6	15	0.8
0.1	275	13	12	6	10	0.6
0.1	275	18	12	6	15	0.8
0.1	275	18	13.5	6	15	0.8
0.12	275	18	13.5	7.5	15	0.8
0.15	275	18	14.5	8.5	15	0.8
0.15	275	26.5	16.5	7	22.5	0.8
0.18	275	18	14.5	8.5	15	0.8
0.18	275	26.5	16.5	7	22.5	0.8
0.22	275	18	14.5	8.5	15	0.8
0.22	275	26.5	16.5	7	22.5	0.8

0.27	275	18	16	10	15	0.8
0.27	275	26.5	17	8.5	22.5	0.8
0.33	275	18	16	10	15	0.8
0.33	275	26.5	17	8.5	22.5	0.8
0.33	275	26.5	19	10	22.5	0.8
0.39	275	18	18.5	11	15	0.8
0.39	275	26.5	19	10	22.5	0.8
0.47	275	18	18.5	11	15	0.8
0.47	275	26.5	19	10	22.5	0.8
0.47	275	31.5	20	11	27.5	0.8
0.56	275	26.5	19	10	22.5	0.8
0.56	275	31.5	20	11	27.5	0.8
0.6	275	26.5	19	10	22.5	0.8
0.6	275	31.5	20	11	27.5	0.8
0.68	275	26.5	19	10	22.5	0.8

0.68	275	31.5	20	11	27.5	0.8
0.82	275	26.5	20	11	22.5	0.8
0.82	275	31.5	22	13	27.5	0.8
1.0	275	26.5	21.5	12.5	22.5	0.8
1.0	275	31.5	25	14	27.5	0.8
1.0	275	37.5	25	13.5	32.5	0.8

Contact Detail

TEL: 886-7-7314766

FAX: 886-7-7319446

Email: sherry@yuonyu.com.tw

- [Home](#)
- [About Us](#)
- [Products](#)
- [Characteristic](#)
- [How to Order](#)
- [Contact Us](#)

Address:

TEL: 886-7-7314766 FAX: 886-7-7319446

Email: sherry@yuonyu.com.tw

Copyright © 2012 [YUON YU ELECTRONICS CO., LTD.](#)(Capacitor manufacturer)

All rights reserved. -[Privacy Policy](#)