

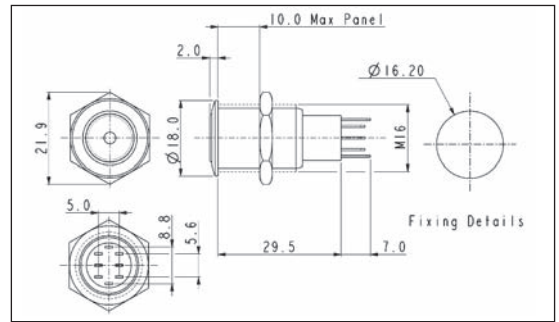
Stainless Steel Illuminated Latching

FRONT PANEL MOUNTING



MP0045/1E1

- Dot Illuminated
- 18mm bezel diameter
- D.P.C.O.
- 3A, 250V ac
- Red, Green, Amber or Blue Illumination
- Separate LED Terminals

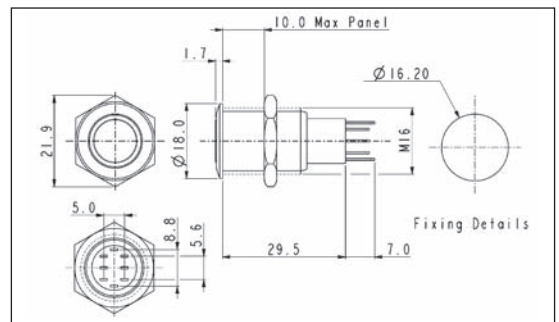


FRONT PANEL MOUNTING

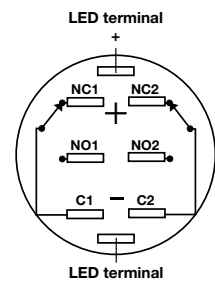


MP0045/1E2

- Ring Illuminated
- 18mm bezel diameter
- D.P.C.O.
- 3A, 250V ac
- Red, Green, Amber or Blue Illumination
- Separate LED Terminals



Contact Layout



Specification

MP0045/1E1/Colour/Voltage

MP0045/1E2/Colour/Voltage

Terminations:	Solder Tags			
Illumination:	Dot			
Switching:	D.P.C.O. Latching Action			
Max. Switch Rating:	3A, 250Vac			
LEDs				
Colours	Red	Green	Amber	Blue
Part No.	/RD	/GN	/AM	/BL
Voltage	12Vdc	220Vdc		
Part No.	/012	/220		
Contact Resistance:	50mΩ max. @ 1A, 2Vdc			
Insulation Resistance:	>10 ³ MΩ @ 500Vac			
Dielectric Strength:	>2.0kVac			
Operating Temp. Range:	-20°C to +55°C			
Operations				
Mechanical:	200,000 (min)			
Electrical:	30,000 (min)			
Rear Nut Fixing Torque:	12Nm			
Materials				
Mouldings:	Nylon			
Tags:	Brass, Silver Plated			
Switch Body & Button:	Stainless Steel (Polished)			
Variants	Prominent Button, details on request			
RoHS	Compliant			

Terminations:	Solder Tags			
Illumination:	Ring			
Switching:	D.P.C.O. Latching Action			
Max. Switch Rating:	3A, 250Vac			
LEDs				
Colours	Red	Green	Amber	Blue
Part No.	/RD	/GN	/AM	/BL
Voltage	12Vdc	220Vdc		
Part No.	/012	/220		
Contact Resistance:	50mΩ max. @ 1A, 2Vdc			
Insulation Resistance:	>10 ³ MΩ @ 500Vac			
Dielectric Strength:	>2.0kVac			
Operating Temp. Range:	-20°C to +55°C			
Operations				
Mechanical:	200,000 (min)			
Electrical:	30,000 (min)			
Rear Nut Fixing Torque:	12Nm			
Materials				
Mouldings:	Nylon			
Tags:	Brass, Silver Plated			
Switch Body & Button:	Stainless Steel (Polished)			
Variants	Prominent Button, details on request			
RoHS	Compliant			