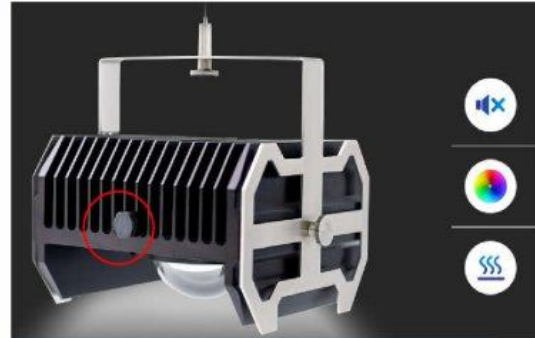


MIV SERIES

Ventilation Parts

MIV-M series Metal Screw in Vents

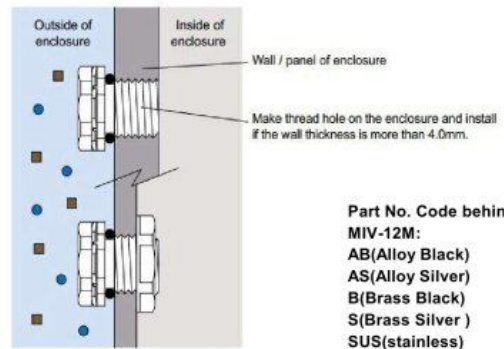
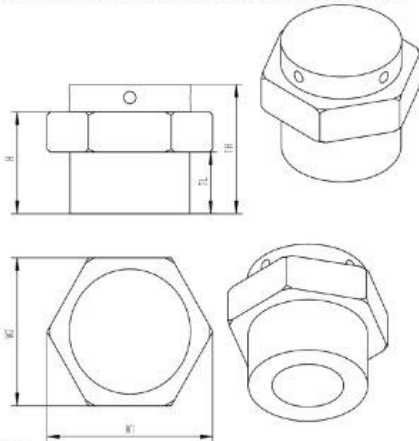


->Protective Vents reliably block ingress of wide range of contaminants,from rain and insects to dirt,dust,sand and other particulates,and enable water vapor molecules to diffuse through the microporous membrane,and pass freely out of the enclosure.

->IP 68 protection class(2 meters/60 min.) and -55° C to +125° C operating temp.range.Best to use under the tough environment.

->Simple and flat design meets any type of enclosures.

->Installing on the side face of enclosures is effective for outdoor use.



Part No. Code behind
MIV-12M:
AB(Alloy Black)
AS(Alloy Silver)
B(Brass Black)
S(Brass Silver)
SUS(stainless)

Please kindly be noted the part no. is not included lock nuts.

Technical Data

Part No.	MIV-06MU /MIV--06M /MIV-08M	MIV-10M	MIV-12M /MIV-MPG7	MIV-1210M /MIV-MPG7(10)	MIV-16M MIV-MPG9	MIV-18M	MIV-20M MIV- MPG13.5	M40
Typical airflow ml/min(dp=70mbar)	200	1000	1000	1000	2000	4000	5000	8000
IP Rating	IP68							
TL (mm)	10	10	10	5	10	10	10	10
TH (mm)	14.5/16.8/16.6	18.9	18.9	14.9	19	20.6	20.6	20.6
W2 (mm)	10/10/12	16.1	16.1	16.1	20.2	23	25	44.2
W1 (mm)	11.4/11.4/13.7	17	17/17	17/17	22	25	27	47
Thread	m6x1.0/m6x1.0/m 8x1.25	M10x1.5	m12x1.5 /PG7/M10x1.5	m12x1.0 /PG7	M16x1.5 /PG9	M18x1.5	M20x1.5 PG13.5	M40x1.5
Recommended torque	0.7Nm							
Enviromental performance	IEC529,2nd(Protection class):IP66.IP67.IP68(Immersion:2meters/60min..IP69K IEC60068-2-1,2,14(Heat resistance):-55°C~+125°C IEC600-2-78(Humidity testing):85%.85%humidity-1000 hours IEC62108,10.8.9(Solor industry testing):Humidity freeze-High temperature,Hail impact test. UL94V-0F1(Flame resistant)							