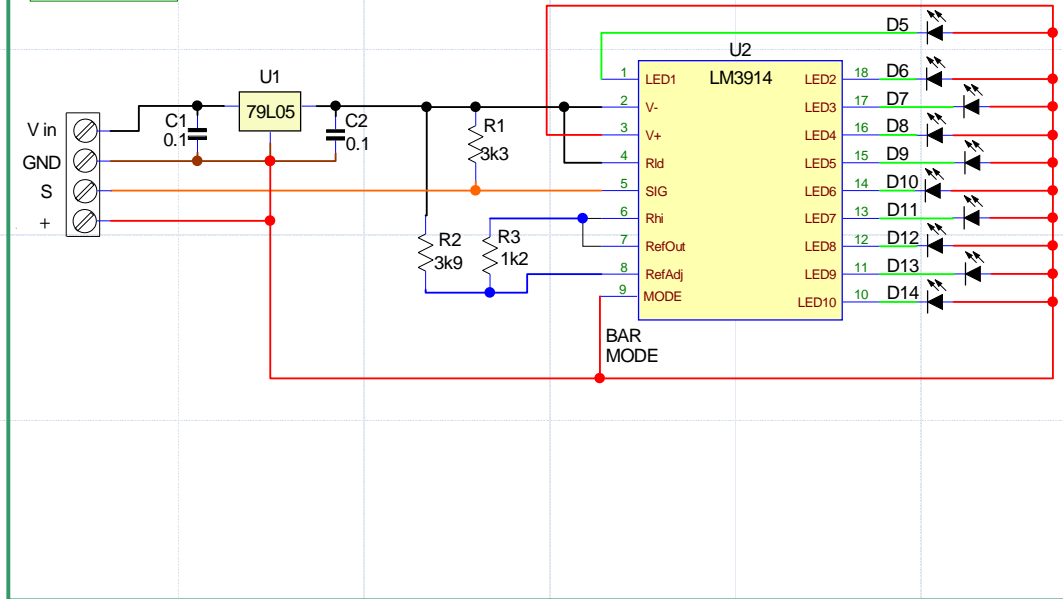


ME12-007



**MANTECH
ELECTRONICS**

International Components Distributor

COMPANY
SCHEMATIC
DESIGNER

MANTECH ELECTRONICS (c)2006

ME12-007-V01

MARK MINSHULL

11 FEB 2015

REV 1.1

PAGE 1