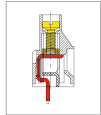
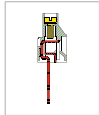


MB910 PCB Terminal Block, Modular



MB910-635M



MB910-635M..L



DIMENSIONS/POSITIONS

MB910-635M

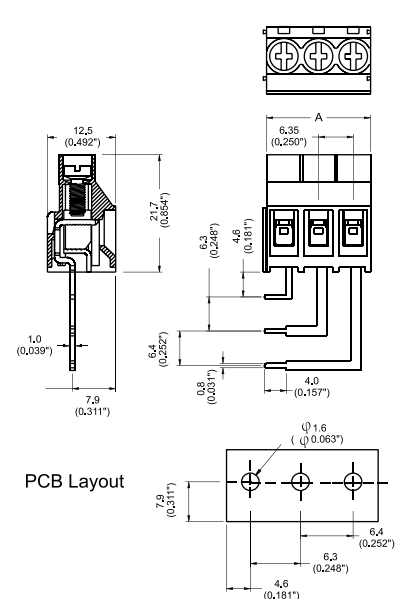
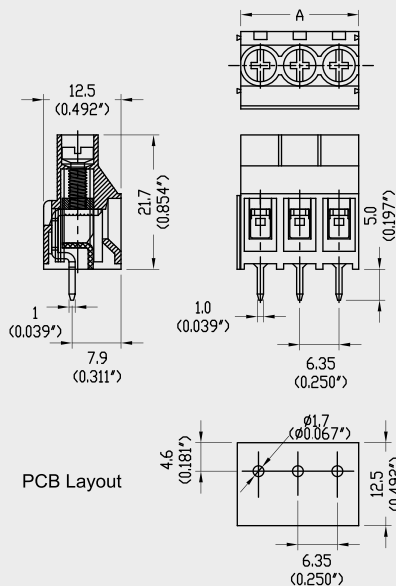
MB910-635M..L

間距	Pitch	6.35mm	6.35mm
位數	Poles	2 ~ 3Poles	2 ~ 3Poles
尺寸a	Dimension a	6.35mm	6.35mm
長度 A	Length	A= 6.35xP(P≥2)	A= 6.35xP(P=2P/3P)
塑膠本體	Housing Material	PA 66	PA 66
壓線圈	Cage Clamp	Steel, Ni Plated	Steel, Ni Plated
端子	Contact	Brass, Tin Plated	Brass, Tin Plated
螺紋	Screw Thread	M3.0, Steel, Zinc Plated	M3.0, Steel, Zinc Plated
電線線徑	Wire Size	10 ~ 24AWG	10 ~ 24AWG
PCB孔徑	PCB Hole Diameter	1.7mm	1.6mm
最大緊固扭矩	Tightening Torque, Max.	9.0 Lb-in	9.0 Lb-in
環境作業溫度	Operating Temperature	-40°C to +105°C	-40°C to +105°C

TECHNICAL DATA

連接符合標準
 Connection in acc. with standard EN-VDE

額定電流 _{IN}	Nominal Current _{IN}	30A	30A
額定橫截面	Nominal Cross Section	6.0mm ²	6.0mm ²
最大負載電流	Maximum load current	30A	30A
絕緣材料	Insulating Material	PA	PA
阻燃等級, 符合UL94 Inflammability class acc. to UL94		V0	V0
額定電壓, UL/CUL Nominal voltage, UL/CUL		300V	300V
額定電流, UL/CUL Nominal current, UL/CUL		30A	28A



Note:
 Screwing Plating: Changes are available upon request