


PIR	
M7610	

PIR CONTROLLER

FEATURES 功能敘述

- Built in regulator.
- 10 seconds warm-up.
- OSCD : CDS input, VSS=Disable, VDD=Enable.
- MODE : ON/OFF/AUTO select.
- Override function.
- Auto-reset if the ZC signal Disappears over 2 seconds

P/N	TRIAC/RELAY	ZC OFF/ON for override	Flash mode	Override ON duration	Effective Trigger width
M7610A	RELAY	2 times	Flash	8 hours	>24ms
M7610A-1	RELAY	1 time	No Flash	8 hours	>24ms
M7610B	TRIAC	2 times	Flash	8 hours	>24ms
M7610B-1	TRIAC	1 time	No Flash	8 hours	>24ms

※ RELAY : active High
TRIAC : active Low

APPLICATION 產品應用

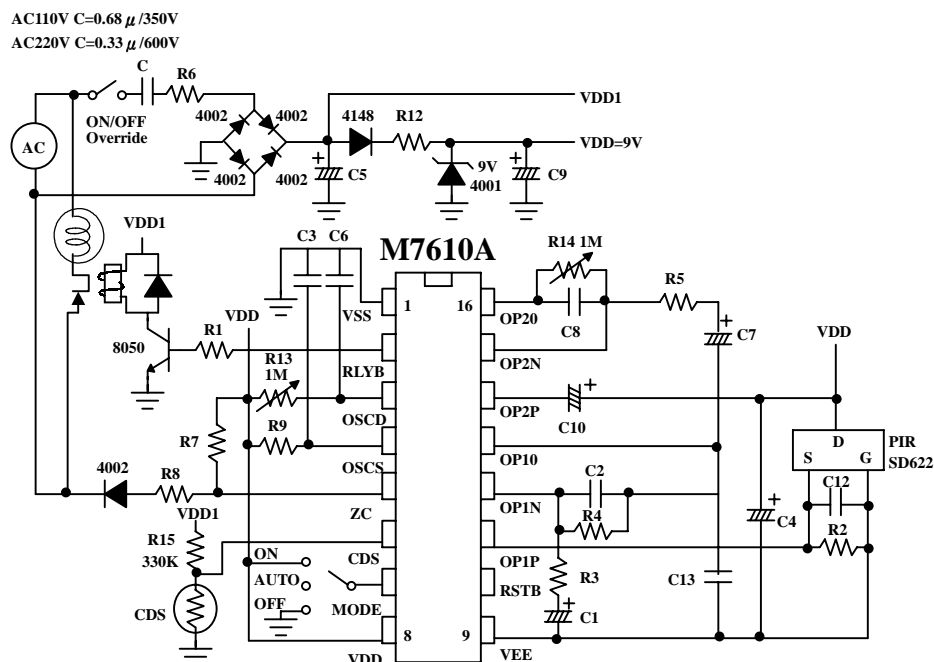
- Light controller, Alarm system, motion detectors..

ELECTRICAL CHARACTERISTICS 電氣規格

Characteristics	Sym.	Min.	Typ.	Max.	Unit	REMARKS
Operating Voltage	V _{DD}	5	9	12	V	
Regulator Output Voltage	V _{EE}	3.5	4	4.5	V	V _{DD} = V _{EE}
Quiescent Current	I _{OP}	—	100	350	μA	No load, OSC ON
Output Source Current	I _{OH}	-6	-12	—	mA	V _{OH} =10.8V (Relay, TRIAC)
Output Sink Current	I _{OL}	40	80	—	mA	V _{OL} =1.2V (Relay, TRIAC)
Oscillator Frequency	F _{OSC}	12.8	16	19.2	KHz	R _{osc} =KΩ, C _{osc} =P
Operating Temperature	Temp.	0	25	60	°C	


ELECTRICAL CHARACTERISTICS 電氣規格

—Relay Application



* All specs and applications shown above subject to change without prior notice.

(以上電路及規格僅供參考,本公司得逕行修正)

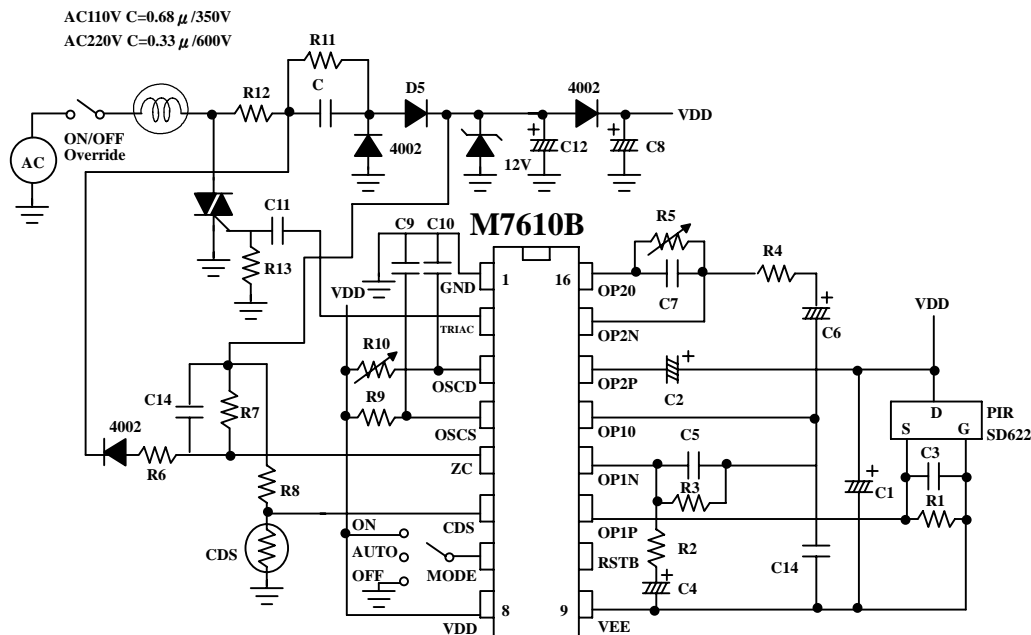
PIR	
M7610	

PIR CONTROLLER

R1	R2	R3	R4	R5	R6	R7	R8	R9	R12	R13	R14	R15
56K	100K	22K	1M	22K	68/2P	2.4M	1M	620K	47K	270K	1M	330K

C1	C2	C3	C4	C5	C6	C7	C8	C9	C10	C12	C13
22 μ	0.02 μ	100P	100 μ	470 μ	3900P	22 μ	0.02 μ	330 μ	10 μ	0.02 μ	0.02 μ

二. TRIAC Application



R1	R2	R3	R4	R5	R6	R7	R8	R9	R10	R11	R12	R13
100K	22K	1M	22K	1M	2.2M	2.2M	330K	620K	270K	1M	100	10K

C1	C2	C3	C4	C5	C6	C7	C8	C9	C10	C11	C12	C14
100 μ	10 μ	0.02 μ	22 μ	0.02 μ	22 μ	0.02 μ	100 μ	100P	3900P	0.1 μ	100 μ	1000P

* All specs and applications shown above subject to change without prior notice.
(以上電路及規格僅供參考,本公司得逕行修正)