

LW26-63 2POLE(MAINS-OFF-STANDBY)

Technical parameters:

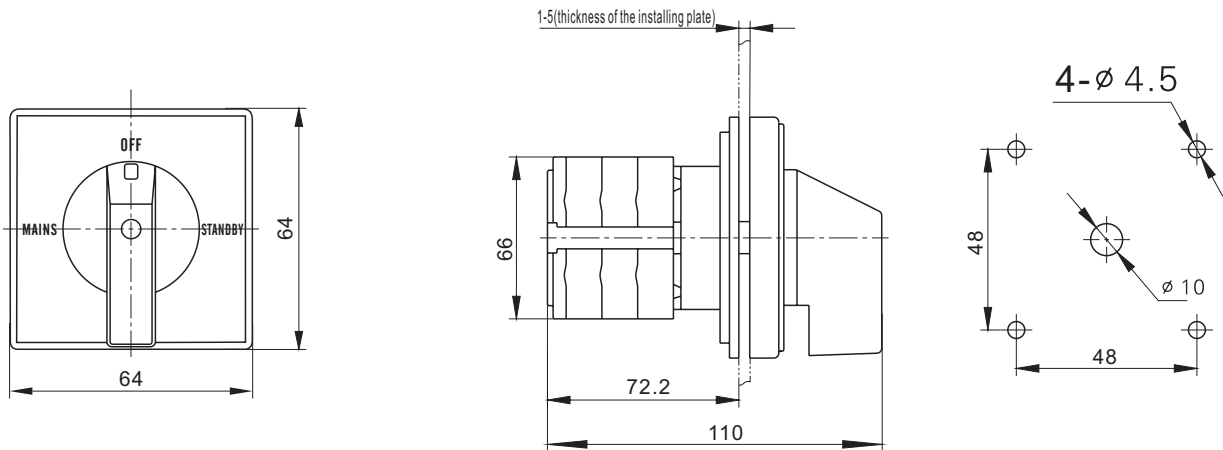
Rated insulation voltage	U_i	V	660/690	
Rated thermal current	I_{th}	A	63	
Rated working voltage	U_e	V	240	440
Rated working current	I_e			
AC-21A AC-22A	A	63	63	
AC-23A	A	57	57	
AC-2	A	57	57	
AC-3	A	36	36	
AC-4	A	15	15	
AC-15	A			
DC-13	A			
Power	P			
AC-23A	KW	15/10	30/18.5	
AC-2	KW	18.5	30	
AC-3	KW	11/6	18.5/11	
AC-4	KW	5.5/2.4	7.5/4	



Re1: Neutral

Re2: The power under: AC-23A, AC-3, AC-4 are in three phase three poles, and the denominator represents the power under single phase two poles.

Dimensions and installation:(mm)



Contact diagram:

