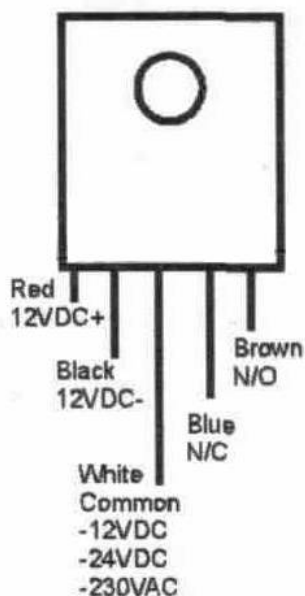


Lr5 Ratings and Wiring Instruction

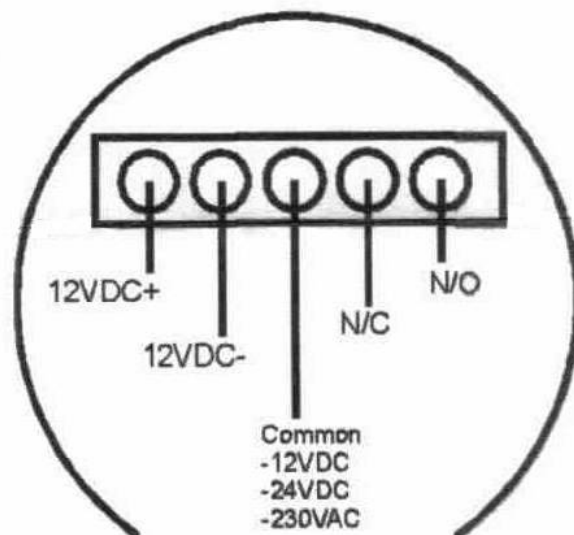
WIRING	
Red	Positive
Black	Negative
Blue	Normally closed
Brown	Normally open
White	Common

Lr5 in a housing
with protruding sensor



RATING	
Input	12VDC
DC Switched	12V/24V
AC Switched	240VAC
Amperage	10 Amp
Switch Delay	1-2 seconds
Lux on/off	±40-60

Lr5 with a white lense and Red/Blue
base with connectors on the bottom



NOTES:

- Black miniature housing designed to be installed in bulkheads etc
- Housing with red base is UV stabilised and has Ip55 rating
- Unit must be positioned upright and in a shade free area

Warranty:

This unit is warranted against faulty material and or bad workmanship for a period of 2 years from date of purchase. The obligation of the manufacturer under this warranty is limited to servicing and replacing defective parts when the unit is returned, freight pre-paid.

The warranty becomes void on any unit which has been tampered with, damaged by accident, lightning, power surges or damaged by improper installation/operation. This warranty is conditional on the unit being properly installed by a licensed electrical contractor and proven date of purchase