

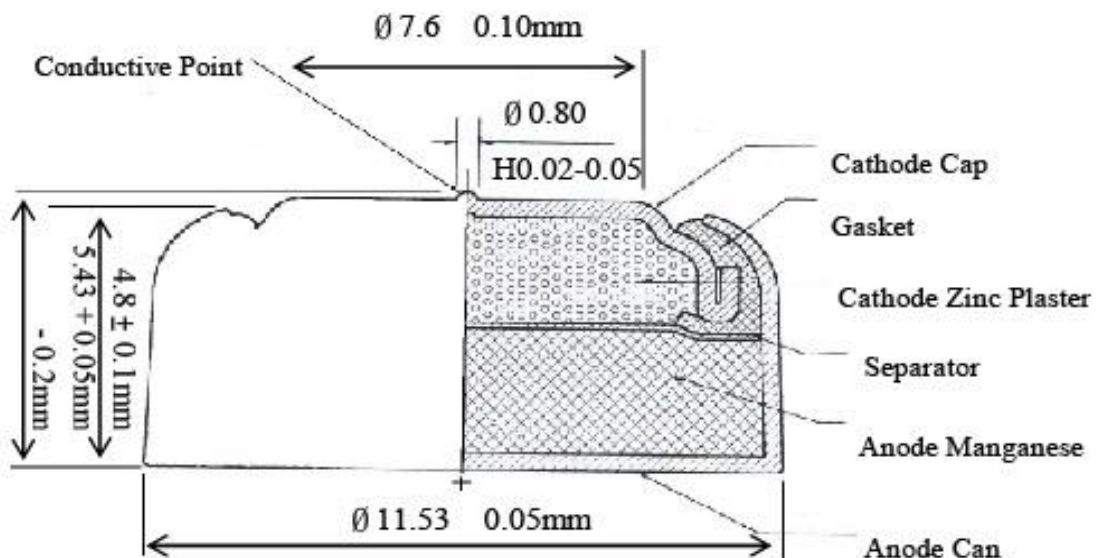
Datasheet Coin Button Batteries

LR44 Alkaline Coin Cell 1.5V 158mAh



[RS Stock No. 775-7233](#)

Dimensions:





Specification:

Nominal Voltage: 1.5 Volt

Approx. Service Capacity: 158 mAh

Approx. Weight: 2.0g

System: Zinc/Manganese Dioxide Rated at 5,000 ohms load tested at 21°C within 30 days of manufacture.

ESTIMATED AVERAGE HOURS SERVICE AT 21°C

