

SUN™

LP30-110 PTC RESETTABLE OVERCURRENT PROTECTOR

APPLICATION:

Almost anywhere there is a low voltage power supply and a load to be protected including:

- DC MOTOR DRIVE CIRCUIT
- COMPUTERS & PERIPHERALS
- GENERAL ELECTRONICS EQUIPMENT
- AUTOMOTIVE APPLICATION

ELECTRICAL CHARACTERISTICS:

I_{max} 40A

V_{max} 30VOLTS

I_{hold} 1.1A max @ 23

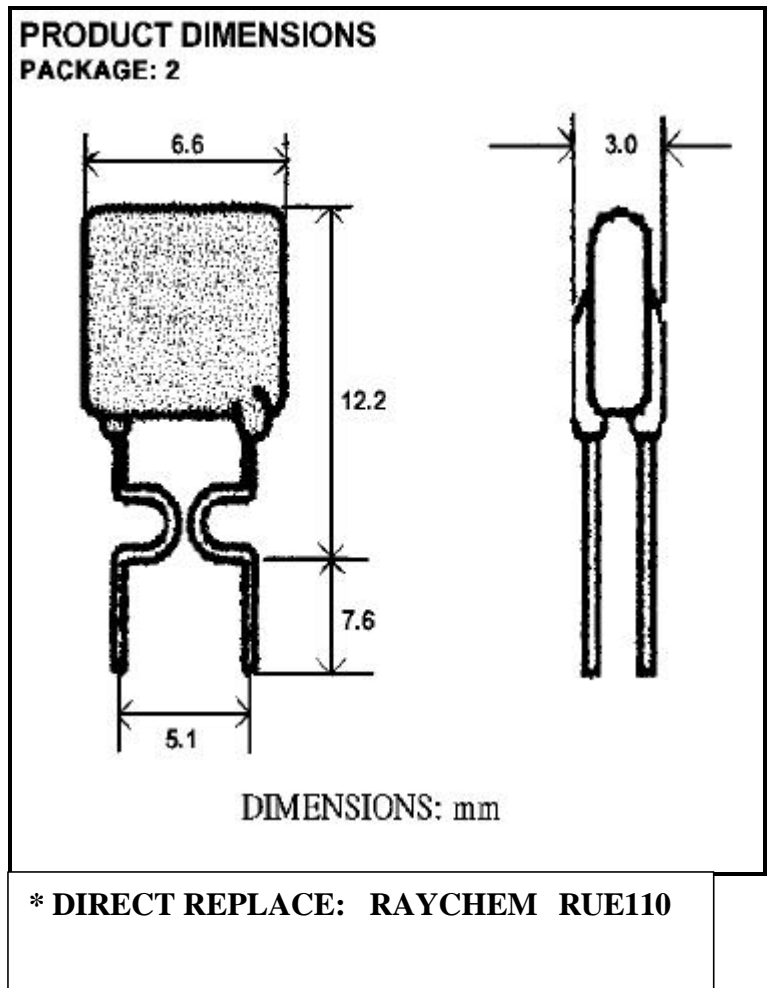
I_{trip} 2.2A min @ 23

RESISTANCE

$R_{initial}$ 0.05OHM MIN
0.1 OHM MAX

Time to trip..... 6.6SEC

P_D 0.7W



NOTE:

Measured Values

I_H – Hold current	Maximum current device will pass without interruption in 23 still air.
I_T – Trip current	Min. current which will switch the device from low to high resistance in 23 still air.
I_{max}	Maximum fault current the device can withstand without damage at rated voltage.
V_{max}	Maximum voltage the device can withstand without damage at rated current.
P_D	Power dissipated from the device when in the tripped state in 23 still air.
Initial Resistance	Device resistance as received from the factory.

MOBICON GROUP