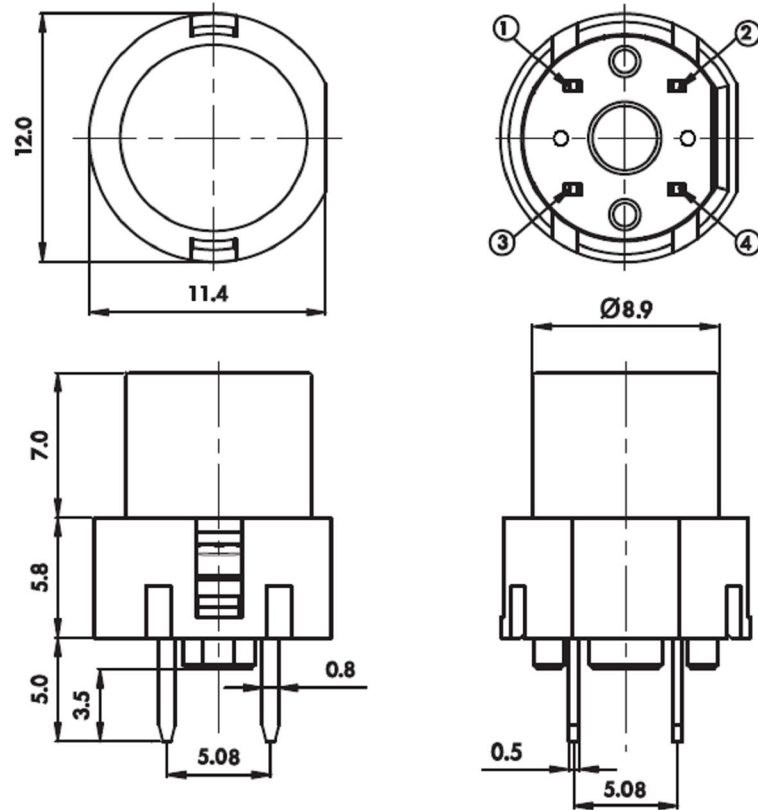
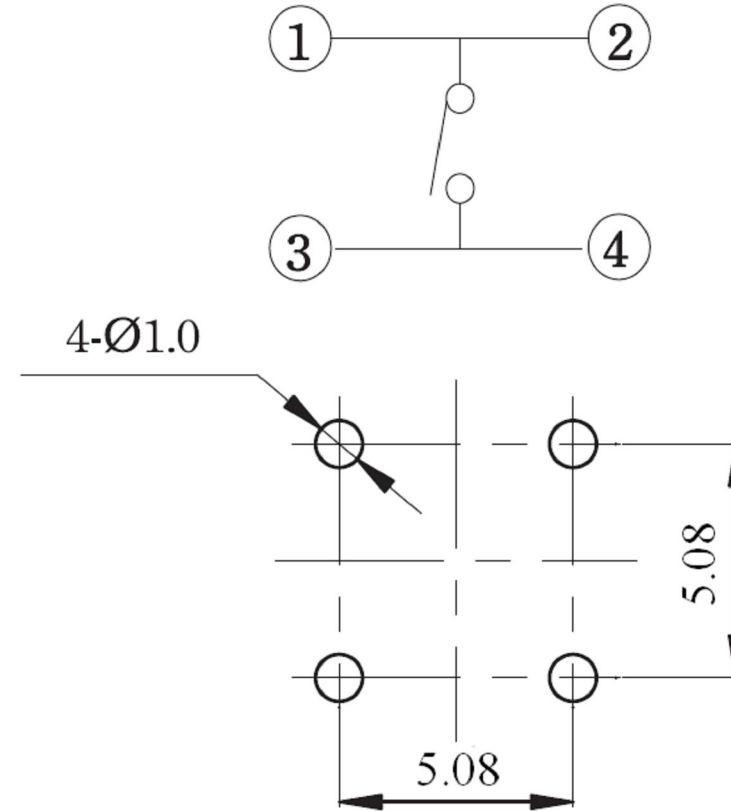


KS-01-B

Dimensions



Circuit P.C.B Layout



Switch type:	SPST momentary
Contact resistance:	$\approx 20\text{MO}$
Contact breaking capacity:	100mA/35VDC
Actator diameter:	8.9mm
Insulation resistance:	100000MO
Dielectric strength:	500V
Inter-terminal capacity:	1pF
Life (nominal current & voltage):	500000 cycle
Temperature range:	-20°C to +65°C
Solderability:	235°C for 5 seconds
Operating force:	1.3N (130g) $\pm 30\%$
Travel:	0.80mm