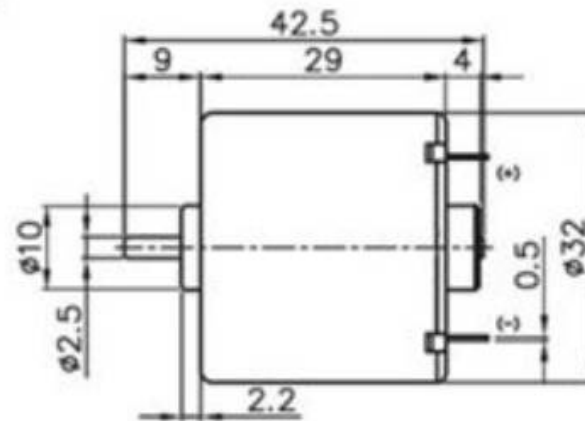
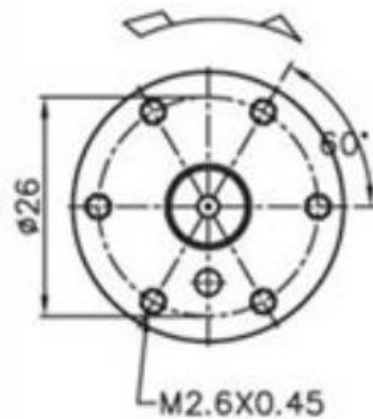


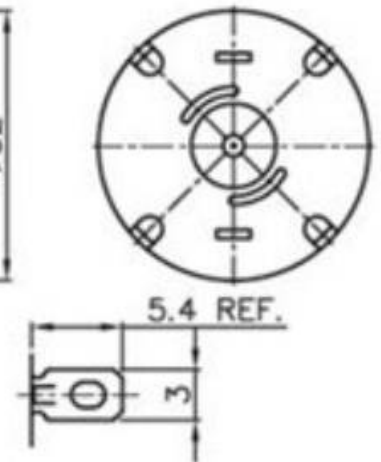
Motor size and parameters



DIRECTION OF ROTATION



WEIGHT : 75g(APPROX)



MODEL	VOLTAGE		NO LOAD		AT MAXIMUM EFFICIENCY						STALL		
	OPERATING RANGE	NOMNAL	SPEED	CURRENT	SPEED	CURRENT	TORQUE		OUTPUT	EFF	CURRENT	TORQUE	
			rpm	A	rpm	A	g-cm	mN-m	W	%	A	g-cm	mN-m
GR-3548	1.2 - 3.6	2.4V CONSTANT	6400	0.60	5000	2.15	54.55	5.35	2.80	54.27	7.70	250	24.51
GR-24130	3.0 - 9.0	6.0V CONSTANT	6200	0.20	5100	0.79	54.50	5.34	2.87	60.67	3.50	320	31.37
GR-18260	6.0 - 18.0	12.0V CONSTANT	6200	0.12	5100	0.47	59.81	5.86	3.14	55.60	2.20	340	33.33
GR-12530	12.0 - 24.0	24.0V CONSTANT	6200	0.06	5000	0.21	61.76	6.05	3.17	62.31	0.90	320	31.37