

### Feature

1. Metal housing. 2. Center detent option.
3. Metal slide rod type. 4. Long Life Type Available.

### Fxx06 Slide potentiometer

### Electrical characteristics

- Total Resistance.....1K $\Omega$ ~1M $\Omega$
- Total Resistance Tolerance.....500 $\Omega$  < R < 1M $\Omega$ :  $\pm$ 20%  
R  $\leq$  500 $\Omega$  or R  $\geq$  1M $\Omega$ :  $\pm$ 30%
- Resistance Taper.....A, B, C
- Withstand Voltage.....1 minute at AC 300V
- Insulated Resistance.....More than 10M $\Omega$  at DC 250V
- Sliding Noise.....Less than 100mV
- Residual Resistance.....20mm:  
Term.1~2(2'~3'): Less than 10 $\Omega$   
Term.2~3(1'~2'): Less than 20 $\Omega$   
30mm:  
Term.1~2(2'~3'): Less than 10 $\Omega$   
Term.2~3(1'~2'): Less than 30 $\Omega$
- Gang Error (Dual Unit).....- 40dB~0dB  $\pm$  3dB
- Rated Voltage ..... Linear Taper B: 15mm: AC 100V  
20mm, 30mm, 45mm, 60mm: AC 200V  
Other Tapers: 15mm: AC 50V  
20mm, 30mm, 45mm, 60mm: AC 150
- Rated Power (Single Unit / Dual Unit)..... Linear Taper B: 15mm: 0.05W/0.025W, 20mm: 0.1W/0.05W,  
30mm: 0.2W/0.1W, 45mm: 0.25W/0.125W,  
60mm: 0.2W/0.2W  
Other Tapers: 15mm: 0.025W/0.012W, 20mm: 0.05W/0.025W  
30mm: 0.1W/0.05W, 45mm: 0.125W/0.06W,  
60mm: 0.1W/0.1W

### Mechanical characteristics

- Slide Torque.....10gf~100gf
- Stopper Strength.....5.0Kgf.cm Min (from the base level to a point of 2 mm)
- Detent Torque (Only Center Click).....50gf~200gf
- Level Wobble.....2(2xL)/20mm Max. (L: Level length both sides)
- Level Push-Pull Strength.....3.0Kgf Min at 10Sec.

### Durability

- Sliding Life..... Standard life: 15,000 Cycles Min.  
Long life: 100,000 Cycles Min.
- Operating Temperature Range.....-10 $^{\circ}$ C ~ +70 $^{\circ}$ C

## HOW TO ORDER

<b>Fxx06-</b>		<b>G</b>	<b>0</b>	<b>S</b>	<b>C</b>	<b>1</b>	<b>C</b>	<b>100K</b>	
---------------	--	----------	----------	----------	----------	----------	----------	-------------	--

Model Series		Code	Detent	Slide Lever Type&Length		Total Resistance	
xx	Slide Travel (See Note 2)	0	No Detent	See Note 1		1K 2K 5K 10K 20K 50K 100K 200K 500K 1MEG	
15	15mm	1	Center Detent				
20	20mm	Code		Resistance Taper			
30	30mm	N	Single Unit	A	Audio (15A)		
45	45mm	G	Dual Gangs	B	Linear: (Single Unit:1B; Dual Gangs:3B)		
60	60mm			C	Reverse Audio(15C)		
				D	Audio (10A)		

Code	Dustproof Option
S	No Dustproof Cover
D	with Plastic Dustproof
R	with Nonwoven Dustproof

Code	Operation Life
(Blank)	Std. Life w/o anti-sulfur
1	Std. Life w/ anti-sulfur
2	Long Life w/ anti-sulfur
3	Long Life w/o anti-sulfur

### Note 1: Slide Lever Type and Length:

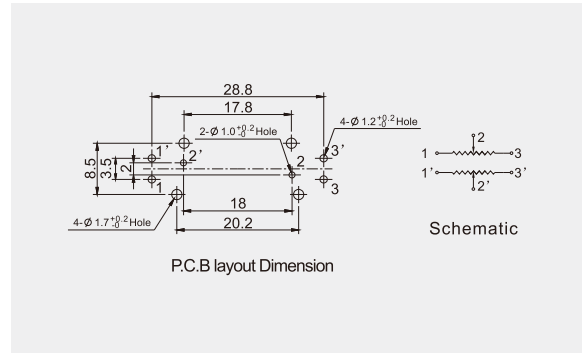
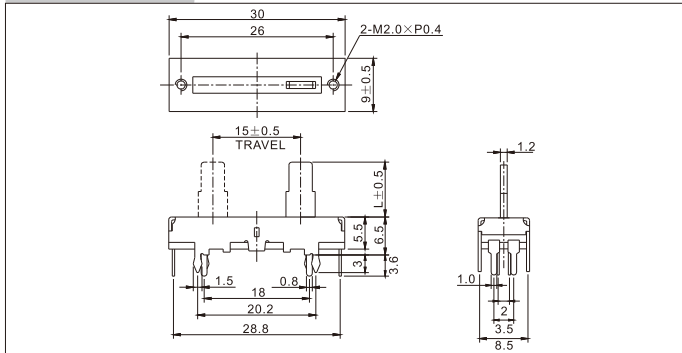
B-TYPE				C-TYPE					H-TYPE		D-TYPE				
L	6	7	10	L	10	15	20	25	17.3	L	10.4	L	15	20	25
F				F	7	10	10	10	10	F	7	F	10	10	10
CODE	1	2	3	CODE	1	2	3	4	5	CODE	1	CODE	1	2	3

### Note 2: Dimension

MODEL	A	B	C	D	E	F	MODEL	A	B	C	D	E	F	G
F1505-N	30	26	15	17.8	20.2	28.8	F1505-G	30	26	15	17.8	20.2	28.8	18
F2005-N	35	31	20	22.8	25.2	33.8	F2005-G	35	31	20	22.8	25.2	33.8	23
F3005-N	45	41	30	32.8	35.2	43.8	F3005-G	45	41	30	32.8	35.2	43.8	33
F4505-N	60	56	45	47.8	50.2	58.8	F4505-G	60	56	45	47.8	50.2	58.8	48
F6005-N	75	71	60	62.8	65.2	73.8	F6005-G	75	71	60	62.8	65.2	73.8	63

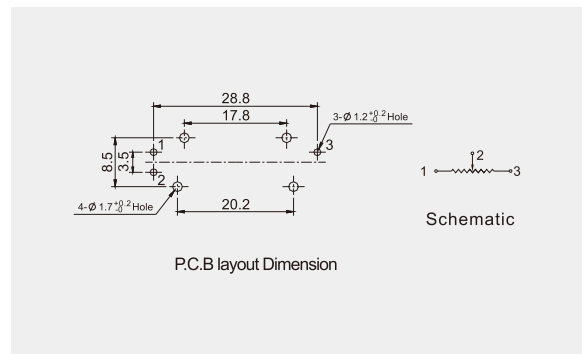
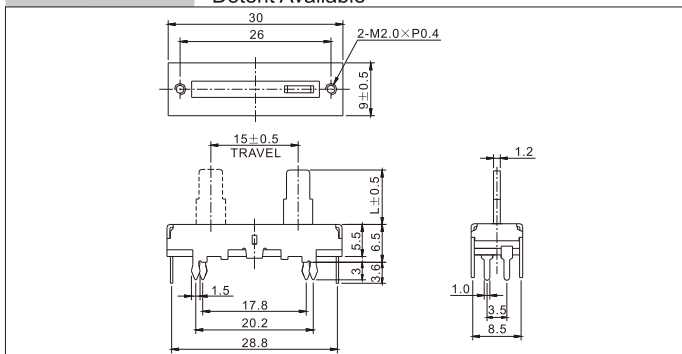
### F1506-G

15mm Travel, Standard Type, 2 Gangs, Center Detent Available



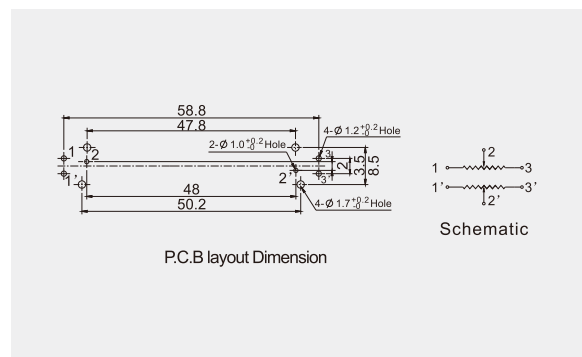
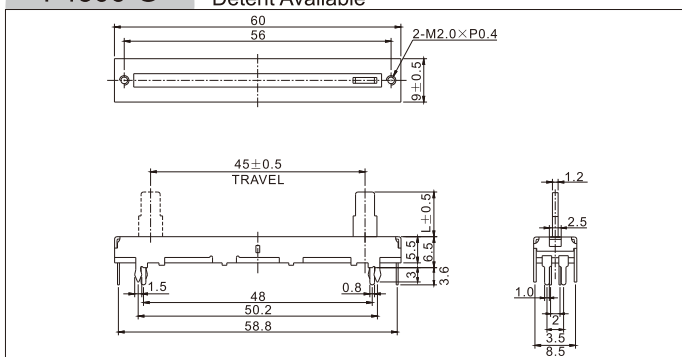
### F1506-N

15mm Travel, Standard Type, 1 Gang, Center Detent Available



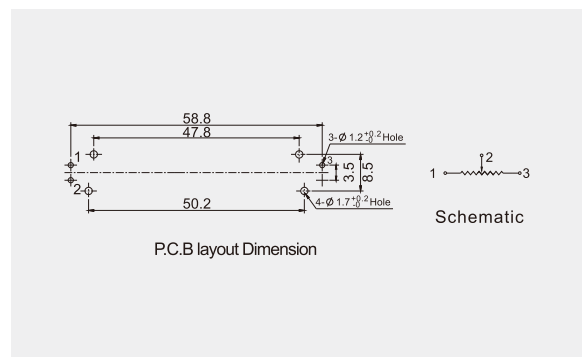
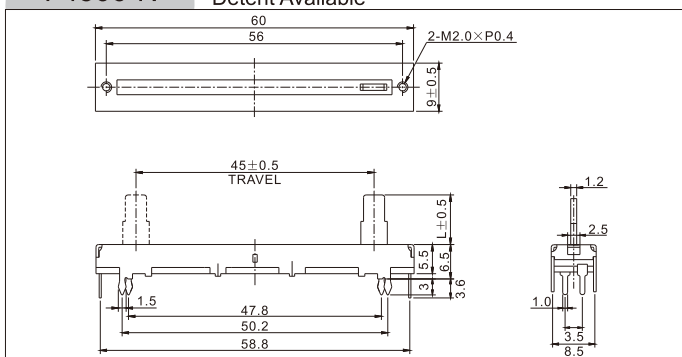
### F4506-G

45mm Travel, Standard Type, 2 Gangs, Center Detent Available



### F4506-N

45mm Travel, Standard Type, 1 Gang, Center Detent Available



Slide Potentiometer