



### Feature

1. Metal housing.
2. Center detent option.
3. Plastic slide rod type.

### FXX05 Slide Potentiometer

### Electrical characteristics

- Total Resistance.....500Ω~1MΩ
- Total Resistance Tolerance.....± 20%
- Resistance Taper.....A,B,C,D etc
- Withstand Voltage..... 1 minute at AC 300V
- Insulated Resistance..... More than 10MΩ at DC 250V
- Sliding Noise.....Less than 100mV
- Residual Resistance..... Term. 1~2:Less than 10Ω  
Term. 2~3:Less than 30Ω
- Gang Error (Dual Unit).....- 40dB~0dB±3dB
- Rated Voltage .....Linear Taper B:15mm:AC 100V  
20mm,30mm,45mm,60mm:AC 200V  
Other Tapers:15mm:AC 50V  
20mm,30mm,45mm,60mm:AC 150
- Rated Power (Single Unit / Dual Unit ).....Linear Taper B:15mm:0.05W/0.025W,20mm:0.1W/0.05W,  
30mm:0.2W/0.1W,45mm:0.25W/0.125W,  
60mm:0.2W/0.2W  
Other Tapers:15mm:0.025W/0.012W,20mm:0.05W/0.025W  
30mm:0.1W/0.05W,45mm:0.125W/0.06W,  
60mm:0.1W/0.1W

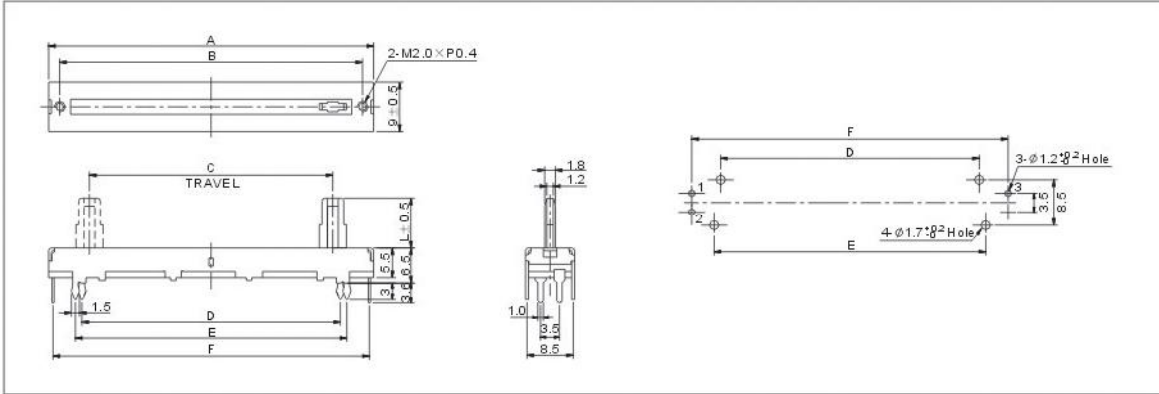
### Mechanical characteristics

- Slide Torque.....10gf~100gf
- Stopper Strength.....5.0Kgf.cm Min  
(from the base level to a point of 2 mm)
- Detent torque(only center click).....30gf~200gf
- Level Wobble.....2(2xL)/20mm Max.(L:Level length both sides)
- Level Push-Pull Strength.....3.0Kgf Min at 10Sec

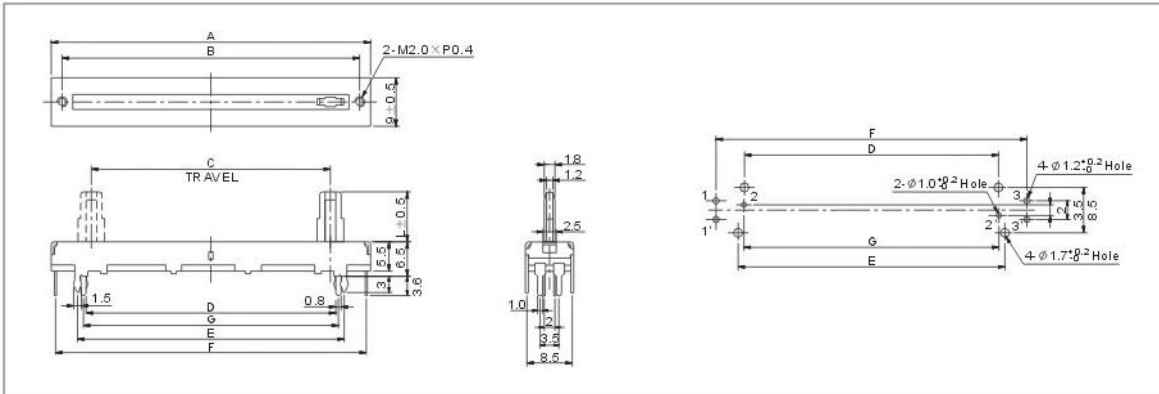
### Durability

- Sliding Life.....10,000 Cycles Min.

### FXX05N



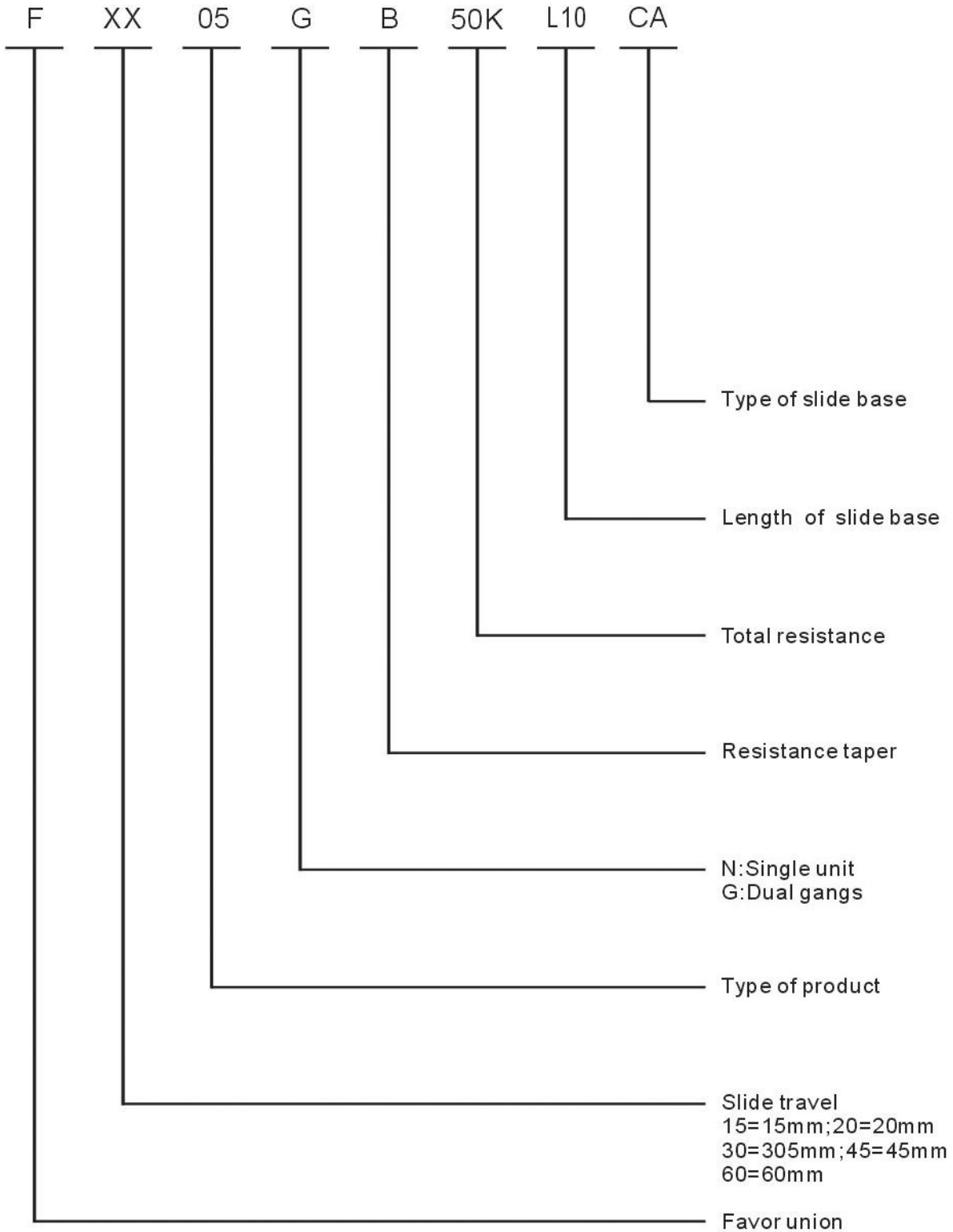
### FXX05G



MODEL	A	B	C	D	E	F	G
1505N	30	26	15	17.8	20.2	28.8	
1505G	30	26	15	17.8	20.2	28.8	18
2005N	35	31	20	22.8	25.2	33.8	
2005G	35	31	20	22.8	25.2	33.8	23
3005N	45	41	30	32.8	35.2	43.8	
3005G	45	41	30	32.8	35.2	43.8	33
4505N	60	56	45	47.8	50.2	58.8	
4505G	60	56	45	47.8	50.2	58.8	48
6005N	75	71	60	62.8	65.2	73.8	
6005G	75	71	60	62.8	65.2	73.8	63

TYPE	C-Type				C-Type				CA-Type				B-Type								
DIMENSIONS																					
	LENGTH	L	5			L	10	12.5	15	18	20	L	5	10			L	10			

### HOW TO ORDER



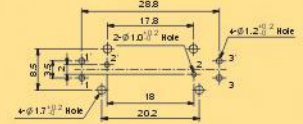
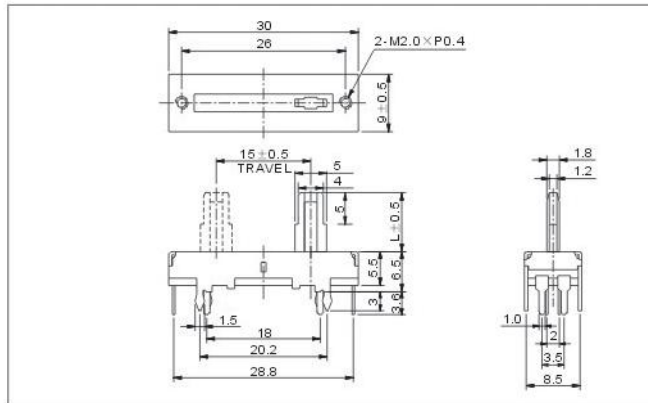


# FXX05 Series Slide Potentiometer

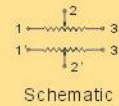


## F1505G

15mm, Standard Type,  
Dual Unit, Center Detent  
available



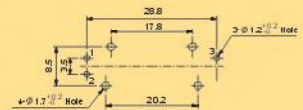
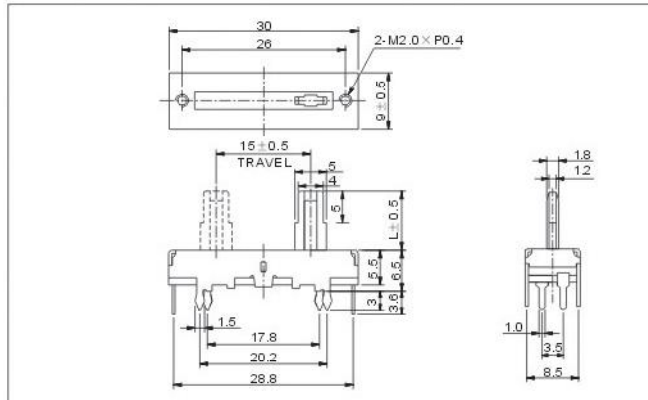
PC.B layout Dimension



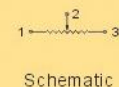
Schematic

## F1505N

15mm, Standard Type,  
Single Unit, Center Detent  
available



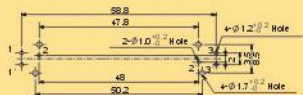
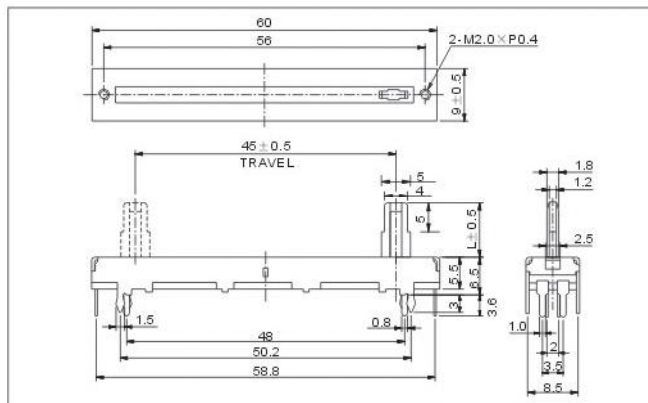
PC.B layout Dimension



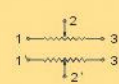
Schematic

## F4505G

45mm, Standard Type,  
Dual Unit, Center Detent  
available



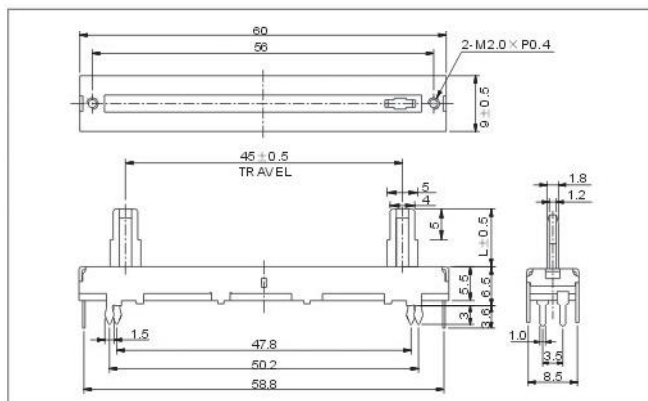
PC.B layout Dimension



Schematic

## F4505N

45mm, Standard Type,  
Single Unit, Center Detent  
available



PC.B layout Dimension



Schematic