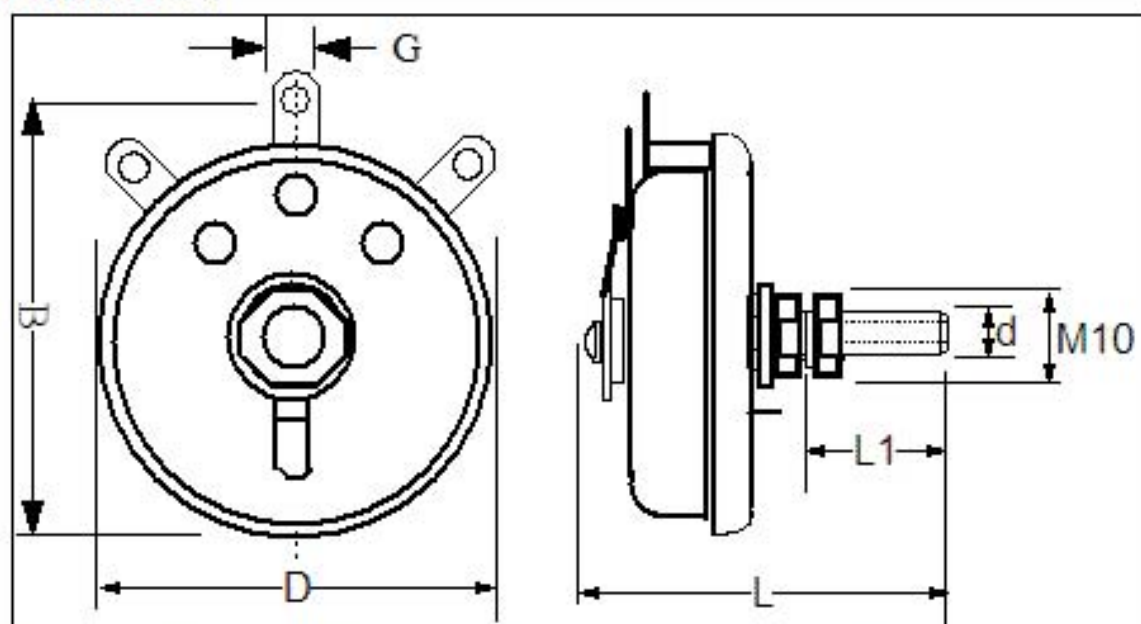


FVR Rheostat



| Power Watt | Resistance range ohm | Tolerance +/- % | Dimensions in mm +/-1mm | | | | | |
|------------|----------------------|-----------------|-------------------------|-----|----|----|---|---|
| | | | D | B | L | L1 | d | G |
| 25W | 1k | 5 | 44 | 50 | 60 | 25 | 6 | 2 |
| 50W | 1.5k | | 64 | 70 | 64 | | | |
| 100W | 2.2k | | 84 | 90 | 66 | | | |
| 150W | 3.3k | 10 | 104 | 110 | 76 | 30 | | 4 |
| 300W | 4.7k | | 130 | 154 | 80 | | | |
| 500W | 5k | | 150 | 205 | 80 | | | |