

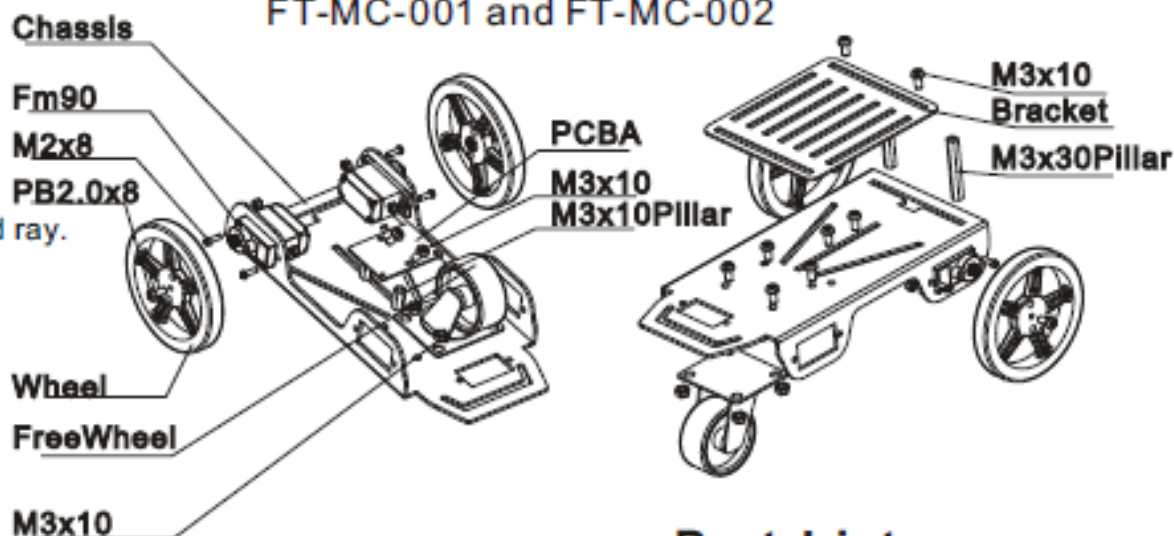


# FEETECH 2WD/4WD Mobile Robot Platform Kits for Education

## Features

- A. All about fun and creativity.
- B. Easy-to-assemble, an all-in-one solution for kids to improve the hands-on ability about programming, electronics, and robotics.
- C. Enjoy the pleasure of DIY (add all kinds of sensors, for example ultrasonic sensor, infrared ray. Free become to obstacle-avoidance car, line-following vehicle, remote control car etc), provides infinite possibilities.
- D. Compatible with any controller. (For example Arduino, Raspberry PI, Banana PI etc)
- E. Five colors (Red, Orange, Blue, Yellow and Pink) are available.
- F. All kinds of kits To meet different requirements

## Installation instructions for FT-MC-001 and FT-MC-002



## Part List

Part List	FT-MC-001	FT-MC-002	FT-MC-003	FT-MC-004
Chassis	1	1	1	1
FM90	2	2	4	4
M2x8	4	4	8	8
FS90-wheel	2	2	4	4
M3x10	4	12	0	8
Bracket	0	1	0	1
PB 2.0x8	2	2	4	4
M3x10Pillar	2	4	0	2
M3x30Pillar	0	2	0	2
PCBA	0	1	0	1
Free Wheel	1	1	0	0

## Installation instructions for FT-MC-003 and FT-MC-004

