



10kg analog continuous servo FS5109R

[Parameter](#)[Pictures](#)[Support](#)

型号 Model:	FS5109R
产品名称 Product Name:	6V 10公斤模拟连续转舵机/6V 10kg. cm Analog Continuous rotation Servo
存储温度 Storage Temperature Range	-30°C ~ 80°C
运行温度 Operating Temperature Range:	-15°C ~ 70°C
尺寸 Size:	A: 40.1mm B: 20.1mm C:38.9mm
重量 Weight:	60.6± 1g
齿轮类型 Gear type:	铜 Copper
机构极限角度 Limit angle:	No Limit
轴承 Bearing:	滚珠轴承 Ball bearings
出力轴 Horn gear spline:	25T/5.9mm
摆臂 Horn type:	Plastic,POM
外壳 Case:	PA+Fiberglass
舵机线 Connector wire:	30CM
马达 Motor:	Core Motor
工作电压 Operating Voltage Range:	4-8.4V
静态电流 Idle current (at stopped) .	6mA@6V
空载速度 No load speed:	50RPM@6V
空载电流 Running current(at no load) :	150mA@6V
堵转扭矩 Peak stall torque:	10.2kg.cm@6V

控制信号 Command signal

Pulse width modification

放大器类型 Amplifier type

Digital comparator

脉冲宽度范围 Pulse width range

1000~2000usec

停止位置 Stop position

1500 μ sec

旋转角度 Running degree

360° Continuous rotation (at 1000→2000 μ sec)

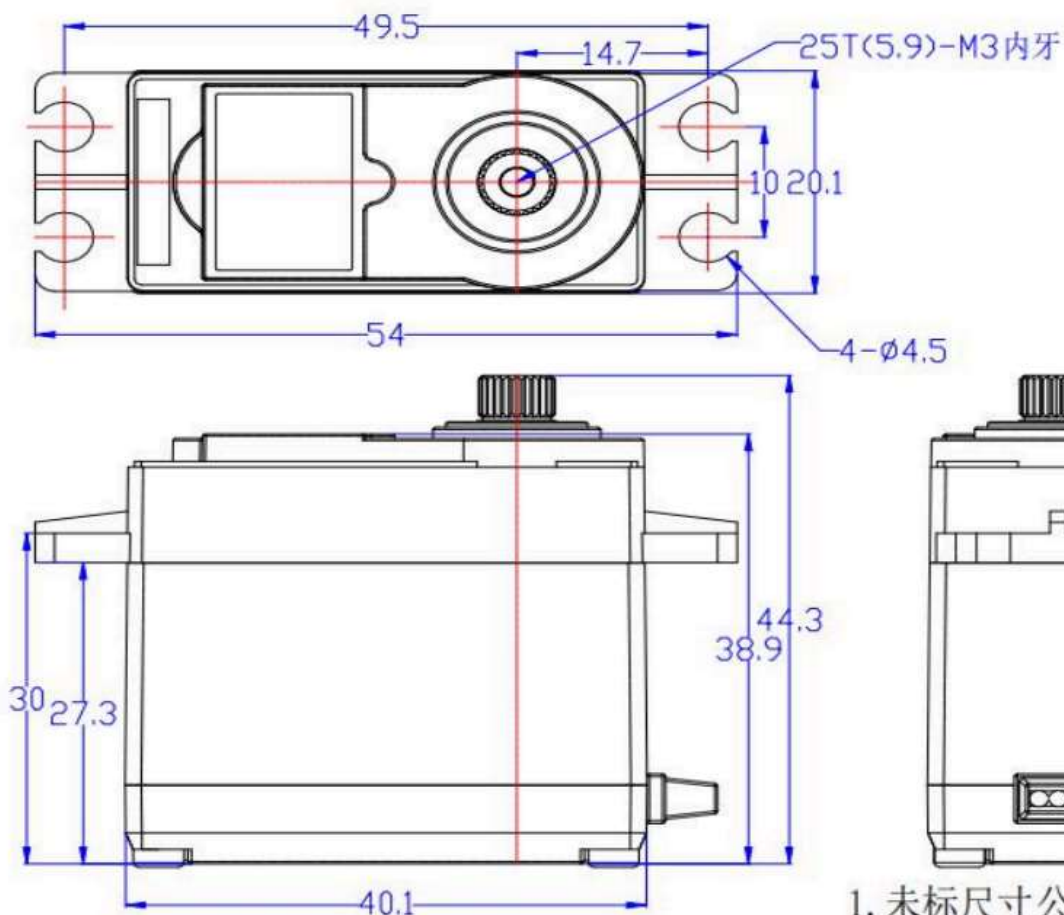
死区宽度 Dead band width

 ≤ 65 μ sec

旋转方向 Rotating direction

逆时针 Counterclockwise (在 1500 → 2000 μ sec)详细规格书下载 Download detailed specifications: [FS5109R规格书-20210802初次发行.pdf](#)

外形图 The Drawings:

1. 未标尺寸公差尺寸控制 ± 0.1 MM.



[Home](#)

[About us](#)

[Products](#)

[Technology](#)

[Service](#)

[中文](#)

[News](#)

[Company profile](#)

[Corporate video](#)

[Certification and patent](#)

[Recruitment](#)

[Contact us](#)

[All Products](#)

[Smart Serial Bus Servo](#)

[Smart serial servo](#)

[PWM series Servo](#)

[Industrial Servo](#)

[Debugging Board](#)

[Car series](#)

[Wheel Series](#)

[New products launched in 2024](#)

[PWM servo technology](#)

[Bus Servo technology](#)

[Solution](#)

[Technical Support](#)

[Customization and OEM service](#)

[Business Connection](#)

[After-sale service](#)

[FAQ](#)

0755-89335266

Work time: 9:00-20:00

E-mail: aaron@feetechrc.com.cn



Focus on us

Copyright © 2020 All rights reserved:Shenzhen FEETECH RC Model CO.,Ltd.

Address:2 Floor, No. 60, Puxia Road, Liu yue, Henggang Town, Longgang, Shenzhen, China Tel:86 755 89335266