



6V 3kg analog continuous servo FS5103R

[Parameter](#)[Pictures](#)[Support](#)

型号 Model:	FS5103R
产品名称 Product Name:	6V 3公斤模拟连续转舵机/6V 3kg. cm Analog Continuous rotation Servo,
存储温度 Storage Temperature Range	-30°C ~ 80°C
运行温度 Operating Temperature Range:	-15°C ~ 60°C
尺寸 Size:	A: 40.15mm B: 20.15mm C: 37.2mm
重量 Weight:	41.5± 1g
齿轮类型 Gear type:	POM
机构极限角度 Limit angle:	NO limit
轴承 Bearing:	滚珠轴承 Ball bearings
出力轴 Horn gear spline:	25T/5.9mm
摆臂 Horn type:	Plastic,POM
外壳 Case:	PA+Fiber
舵机线 Connector wire:	30CM
马达 Motor:	Core Motor
工作电压 Operating Voltage Range:	4V-8.4V
空载速度 No load speed:	0.125sec/60°@6V
空载电流 Runnig current(at no load) :	210mA@6V
堵转扭矩 Peak stall torque:	3.2kg.cm@6V
额定扭矩 Rated torque:	1.0kg.cm@6V

控制系统类型 Control System Type

Analog comparator

脉冲宽度范围 Pulse width range

1200→1800 μsec

停止位置 Stop position

1500 (±9) μsec

旋转角度 Running degree

360° Continuous rotation

死区宽度 Dead band width

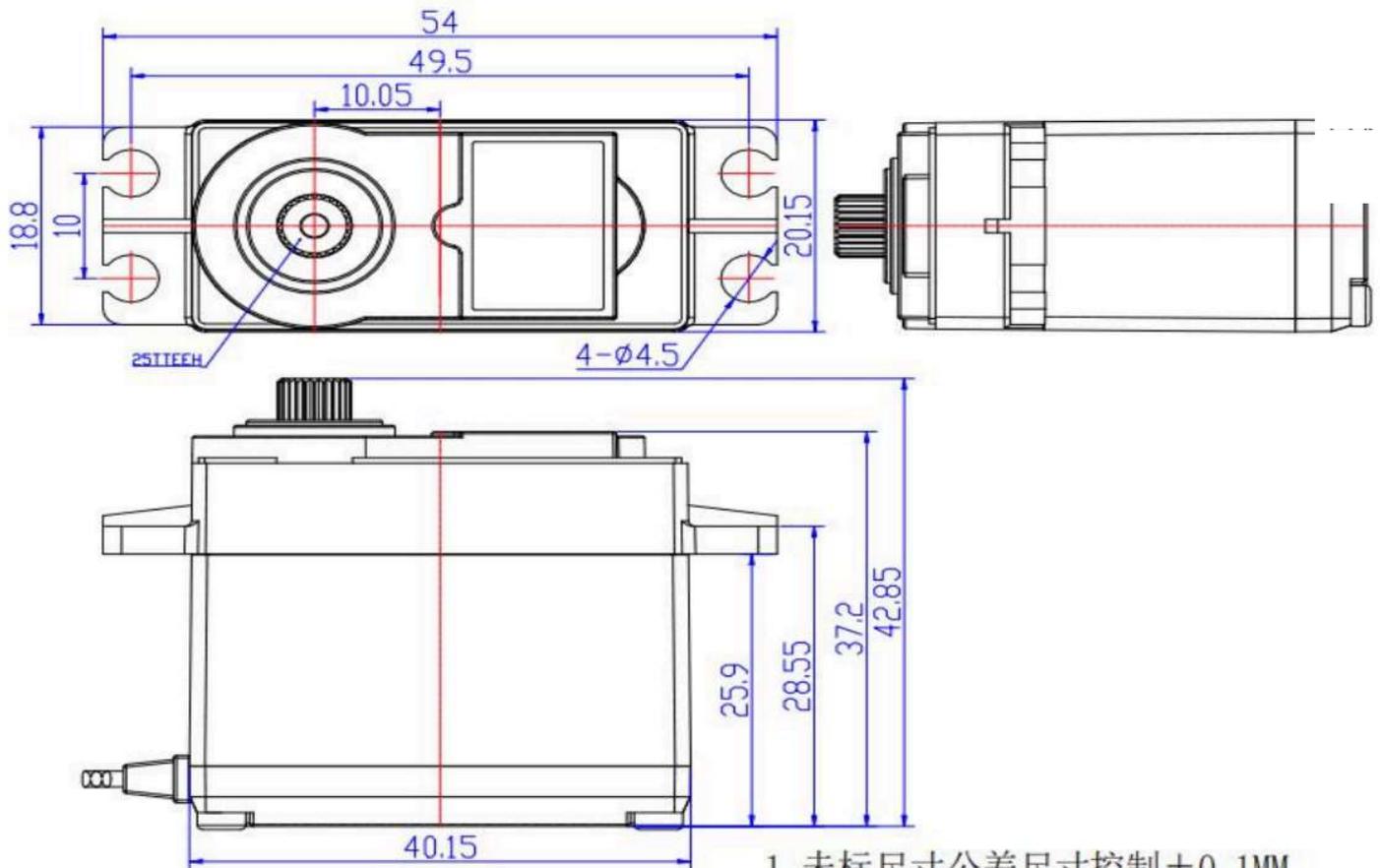
≤18 μsec

旋转方向 Rotating direction

逆时针 Counterclockwise(在1500 →1800 μsec)

详细规格书下载 Download detailed specifications: [FS5103R新板规格书-C001-20210722.pdf](#)

外形图 The Drawings:





[Home](#)

[About us](#)

[Products](#)

[Technology](#)

[Service](#)

[中文](#) [News](#)

Certification and patent

[Servo](#)

[Bus Servo technology](#)

[OEM service](#)

Work time: 9:00-20:00

Recruitment

[Smart serial servo](#)

[Solution](#)

[Business Connection](#)

E-mail: aaron@feetechrc.com.cn

Contact us

[PWM series Servo](#)

[After-sale service](#)

[Industrial Servo](#)

[FAQ](#)

[Debugging Board](#)

[Car series](#)

[Wheel Series](#)

[New products](#)

[launched in 2024](#)



Focus on us

Copyright © 2020 All rights reserved:Shenzhen FEETECH RC Model CO.,Ltd.

Address:2 Floor, No. 60, Puxia Road, Liu yue, Henggang Town, Longgang, Shenzhen, China Tel:86 755 89335266