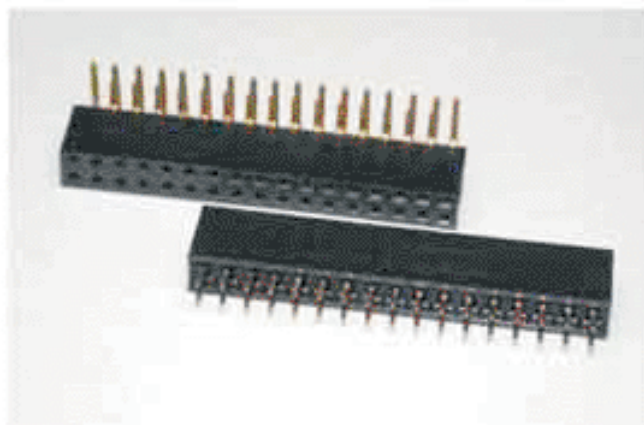
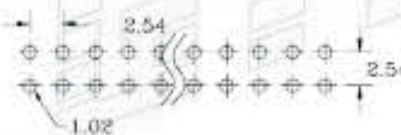
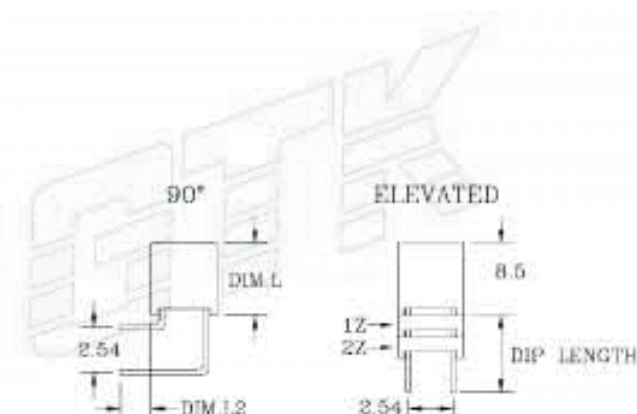
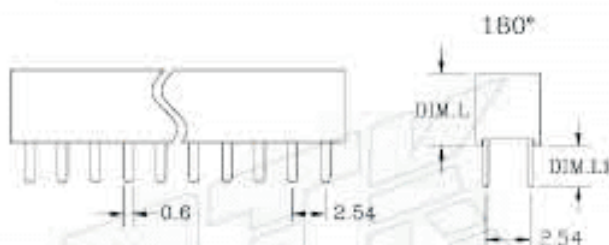


# P.C. BOARD SOCKET DOUBLE ROW (2.54 \* 2.54 mm)



**MATERIAL**  
 \*Insulator : PBT or PPS (UL94V-0)  
 \*Contact : Copper Alloy  
 \*Contact Plated : G = All Gold Plated  
 T = All Tin Plated

**SPECIFICATION**  
 \*Current Rate : 1Amp DC  
 \*Contact Resistance : 30mΩ Max  
 \*Insulation Resistance : 1000MΩ Min.  
 \*Dielectric Voltage : 500V AC For One Minute  
 \*Operation Temperature : - 40°C to + 105°C



P.C.Board Layout

SERIES	STANDARD DIMENSION		
	L	L1	L2
FH	8.5mm	3.3mm	3.3mm
LH	5.7mm	2.7mm	3.0mm

UNIT : mm

**Ordering Information** STANDARD DIMENSION : SHOW P/N END TO CODE #7  
 SPECIAL DIMENSION : KEEP SHOWING CODE #8-#13(PS. 標準碼為7碼, 第8-13碼視需要加註於標準碼後)

FH	D	R	10	G	1	1	/	4.0	-	7.1	/	1Z	/	N	/	15U	/	3V
1	2	3	4	5	6	7		8		9		10		11		12		13

**1.SERIES NO (產品系列)**

FH = P.C.B. SOCKET  
 PS: DIM.L > 5.7MM  
 LH = P.C.B. SOCKET  
 PS: DIM.L <= 5.7MM

**2.ROW TYPE (排別)**

D = DOUBLE ROW (雙排)

**3.TERMINAL TYPE (端子類別)**

S = STRAIGHT TYPE (180°)  
 R = RIGHT ANGLE TYPE (90°)

**4.NO. OF PIN (端子數)**

2 - 43

**5.CONTACT PLATED (端子電鍍)**

T = ALL TIN PLATED (全鍍錫)  
 G = ALL GOLD PLATED (全鍍金)

**6.PITCH - PIN TO PIN (端子距離)**

1 = 2.54 MM

**7.PITCH - ROW TO ROW (排距)**

1 = 2.54 MM

**8.SPECIAL DIP LENGTH (特殊針長)**

**9.SPECIAL PLASTIC THICKNESS (特殊塑膠高度)**

**10.OPTIONAL ELEVATED (塑膠數選擇)**

1Z = ONE 2.54mm PLASTIC (加一層)  
 2Z = TWO 2.54mm PLASTIC (加二層)  
 3Z = THREE 2.54mm PLASTIC (加三層)

**11.POLARIZATION KEY (鼻子)**

N = WITH KEY (有鼻子)

**12.SPECIAL CONTACT PLATED (特殊端子電鍍) :**

15U = 15U" GOLD PLATED  
 PS: STANDARD IS GOLD FLASH  
 BLANK FOR STANDARD (標準鍍金不標示)

**13.PULL OUT PIN (拔PIN)**

\*V = NO. OF PIN