

Vinyl-insulated Female Terminals

Cable size: 0.5 ~ 1.5mm²(A.W.G.22 ~ 16) Max current: I_{max}=10A Temperature: 75°C

Material: Copper Sheath : PVC

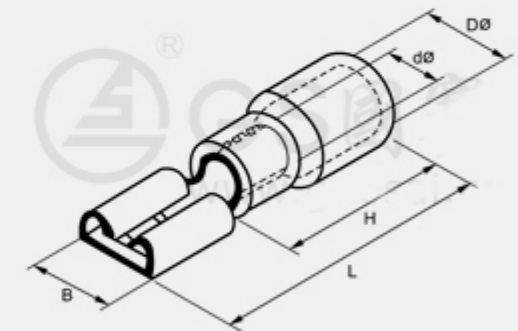
ITEM NO	Connecting spec.	Thickness of material	Dimension(mm)					Color
			B	Dφ	dφ	L	H	
FDD 1.25-110(5)	0.5×2.8	0.3	3.8	3.8	1.7	19.0	10.0	red
FDD 1.25-110(8)	0.8×2.8	0.3	3.8	3.8	1.7	19.0	10.0	
FDD 1.25-187(5)	0.5×4.75	0.4	5.6	3.8	1.7	19.0	10.0	
FDD 1.25-187(8)	0.8×4.75	0.4	5.6	3.8	1.7	19.0	10.0	
FDD 1.25-205(5)	0.5×5.2	0.4	6.5	3.8	1.7	20.0	10.0	
FDD 1.25-250	0.8×6.35	0.4	7.4	3.8	1.7	21.0	10.0	



Cable size: 1.5 ~ 2.5mm²(A.W.G.16 ~ 14) Max current: I_{max}=15A Temperature: 75°C

Material: Copper Sheath : PVC

ITEM NO	Connecting spec.	Thickness of material	Dimension(mm)					Color
			B	Dφ	dφ	L	H	
FDD 2-110(5)	0.5×2.8	0.3	3.8	4.3	2.3	19.0	10.0	blue
FDD 2-110(8)	0.8×2.8	0.3	3.8	4.3	2.3	19.0	10.0	
FDD 2-187(5)	0.5×4.75	0.4	5.6	4.3	2.3	19.0	10.0	
FDD 2-187(8)	0.8×4.75	0.4	5.6	4.3	2.3	19.0	10.0	
FDD 2-205(5)	0.5×5.2	0.4	6.5	4.3	2.3	20.0	10.0	
FDD 2-250	0.8×6.35	0.4	7.4	4.3	2.3	21.0	10.0	
FDD 2-312	0.8×8.0	0.4	9.0	4.3	2.3	23.0	10.0	



Cable size: 4 ~ 6mm²(A.W.G.12 ~ 10) Max current: I_{max}=24A Temperature: 75°C

Material: Copper Sheath : PVC

ITEM NO	Connecting spec.	Thickness of material	Dimension(mm)					Color
			B	Dφ	dφ	L	H	
FDD 5.5-250	0.8×6.35	0.4	7.4	5.7	3.4	25.0	13.0	yellow
FDD 5.5-375	1.2×9.4	0.5	10.9	5.7	3.4	29.6	13.0	