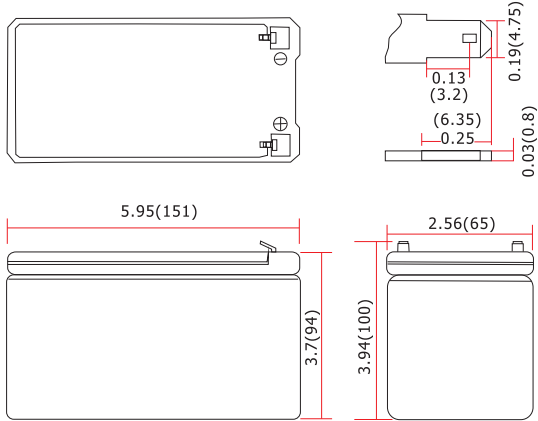


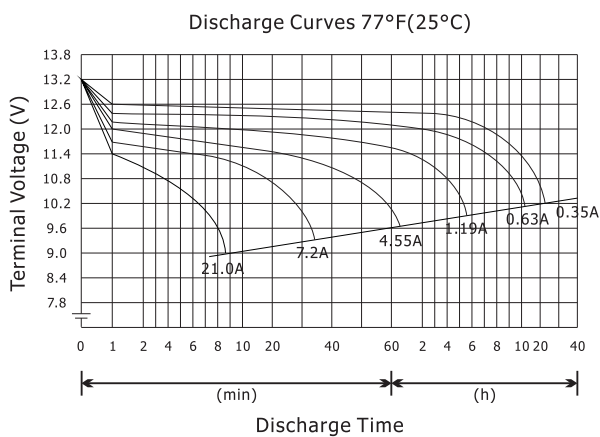
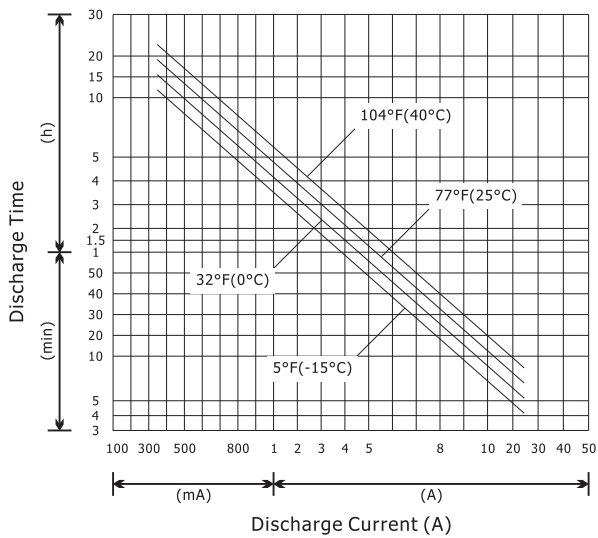
## FB7.2-12

12V7.2Ah Lead Acid Battery

Unit:inch(mm)



### ■ Discharge Current and Discharge Duration Time



### ■ Specification

Nominal Voltage	12V	
Rated Capacity (20hr Rate)	7.2Ah	
Dimensions	Length	5.95inches (151mm)
	Width	2.56inches (65mm)
	Height	3.70inches (94mm)
	Total Height	3.94inches (100mm)
Weight	Approx. 4.52lbs (2.05kg)	
<b>■ Characteristics</b>		
Capacity 77°F(25°C)	20hour rate (0.36A)	7.20Ah
	10hour rate (0.64A)	6.40Ah
	5hour rate (1.19A)	6.00Ah
	1hour rate (4.55A)	4.60Ah
Internal Resistance	Full Charged, 77°F(25°C)	30mΩ
Capacity Affected By Temperature (10hr Rate)	104°F(40°C)	102%
	77°F(25°C)	100%
	32°F(0°C)	85%
	5°F(-15°C)	65%
Self-Discharge 77°F(25°C)	Capacity after 3 month storage	90%
	Capacity after 6 month storage	85%
	Capacity after 9 month storage	65%
Charge (Constant Voltage)	Initial Charge Current "LESS" than 2.16A	
	Cycle	14.4-15.0V/77°F(25°C)
	Stand By	13.5-13.8V/77°F(25°C)

\*\*These data are average values obtained from three Charge/Discharge cycles. Note: These are NOT minimum values.

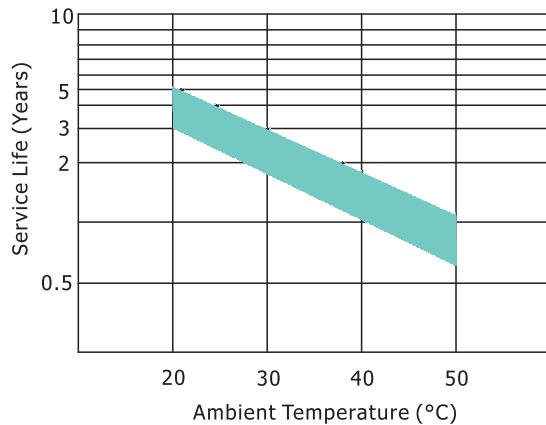
## Constant Current Discharge Characteristics Unit: A (25°C / 77°F)

F.V/Time	5MIN	10MIN	15MIN	30MIN	1HR	2HR	3HR	5HR	8HR	10HR	20HR
9.6V	24.1	16.6	12.9	7.91	4.52	2.47	1.89	1.23	0.81	0.69	0.37
10.0V	23.3	16.1	12.5	7.76	4.48	2.42	1.86	1.21	0.80	0.68	0.36
10.2V	22.2	15.8	12.0	7.43	4.42	2.38	1.81	1.19	0.78	0.67	0.35
10.5V	20.1	15.1	11.8	7.28	4.31	2.32	1.77	1.16	0.76	0.66	0.34
10.8V	18.7	14.1	11.1	7.15	4.27	2.25	1.72	1.14	0.74	0.65	0.33
11.1V	16.4	12.5	10.3	6.95	4.15	2.18	1.66	1.12	0.73	0.64	0.32

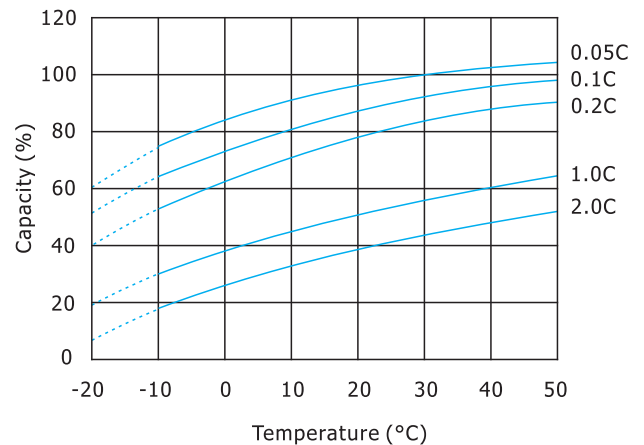
## Constant Power Discharge Characteristics Unit: W (25°C / 77°F)

F.V/Time	5MIN	10MIN	15MIN	30MIN	1HR	2HR	3HR	5HR	8HR	10HR	20HR
9.6V	261	184	145	89.3	51.8	28.4	21.8	14.3	9.52	7.96	4.15
10.0V	248	176	140	87.9	51.0	27.9	21.4	14.1	9.38	7.82	4.11
10.2V	235	172	134	83.7	50.5	27.4	20.8	13.8	9.18	7.75	4.07
10.5V	213	164	130	81.7	49.5	26.6	20.3	13.5	8.97	7.68	4.04
10.8V	199	151	123	79.9	49.0	25.9	19.7	13.2	8.76	7.54	4.01
11.1V	176	137	115	78.6	47.4	25.1	19.1	12.9	8.62	7.41	3.87

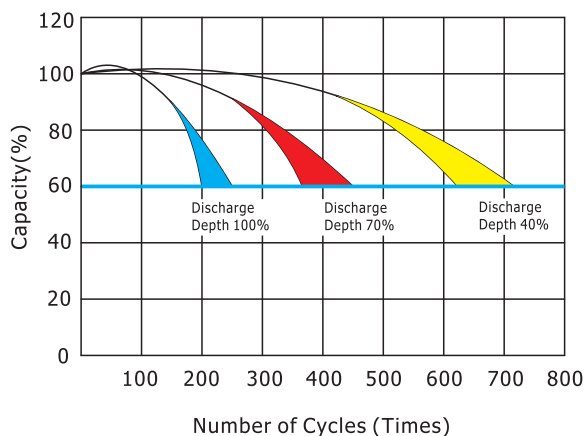
### Trickle / Float Service Life



### Effect of Temperature on Capacity



### Cycle Service Life (@25°C/77°F)



### Capacity Retention Characteristic

