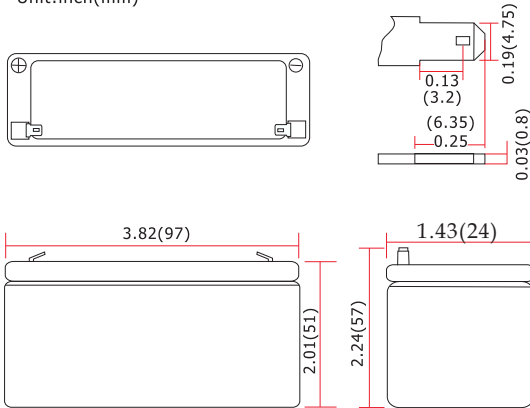
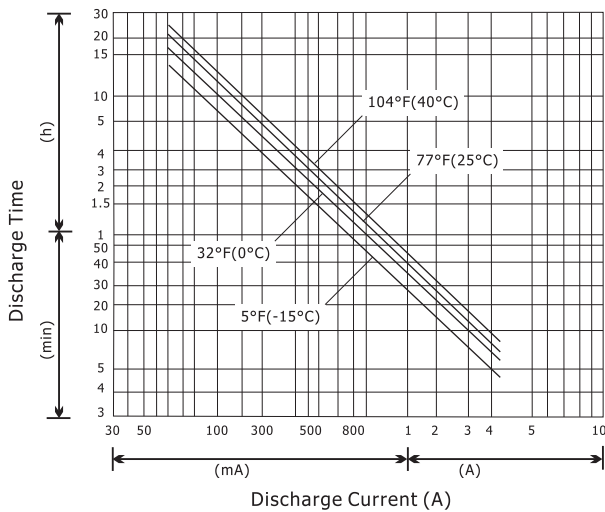


FBI.4-6

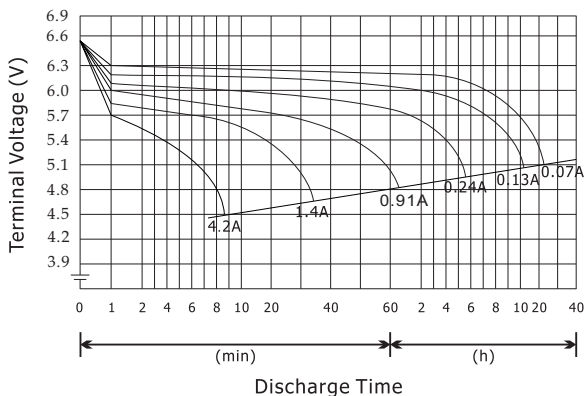
Unit: inch(mm)



■ Discharge Current and Discharge Duration Time



Discharge Curves 77°F(25°C)



■ Specification

Nominal Voltage	6V	
Rated Capacity (20hr Rate)	1.4Ah	
Dimensions	Length	3.82inches(97mm)
	Width	1.43inches(24mm)
	Height	2.01inches(51mm)
	Total Height	2.24inches(57mm)
Weight	Approx.0.57lbs(0.26kg)	

■ Characteristics

Capacity 77°F(25°C)	20hour rate (0.07A)	1.40Ah
	10hour rate (0.13A)	1.30Ah
	5hour rate (0.24A)	1.20Ah
	1hour rate (0.91A)	0.91Ah
Internal Resistance	Full Charged, 77°F(25°C)	50mΩ
Capacity Affected By Temperature (10hr Rate)	104°F(40°C)	102%
	77°F(25°C)	100%
	32°F(0°C)	85%
	5°F(-15°C)	65%
Self-Discharge 77°F(25°C)	Capacity after 3 month storage	90%
	Capacity after 6 month storage	80%
	Capacity after 9 month storage	60%
Charge (Constant Voltage)	Initial Charge Current "LESS" than 0.42A	
	Cycle	7.20-7.50V/77°F(25°C)
	Stand By	6.75-6.90V/77°F(25°C)

**These data are average values obtained from three Charge/Discharge cycles. Note: These are NOT minimum values.