



### Feature

1. Metal housing.
2. Center detent option.
3. Plastic slide rod type.

### FXX31 Series Slide Potentiometer

### Electrical characteristics

- Total Resistance.....500 Ω~1M Ω
- Total Resistance Tolerance.....± 20%
- Resistance Taper.....A,B,C,D etc
- Withstand Voltage.....1 minute at AC 300V
- Insulated Resistance.....More than 10M Ω at DC 250V
- Sliding Noise.....Less than 100mV
- Residual Resistance.....Term. 1~2: Less than 10 Ω  
Term. 2~3: Less than 30 Ω
- Gang Error (Dual Unit).....- 40dB~0dB±3dB
- Rated Voltage .....Taper B: 15mm: AC 100V  
20mm, 30mm, 45mm, 60mm: AC 200V  
Other Tapers : 15mm: AC 50V  
20mm, 30mm, 45mm, 60mm: AC 150
- Rated Power(Single Unit/Dual Unit)
  - Linear Taper B.....15mm: 0.05W/0.025W, 20mm: 0.1W/0.05W,  
30mm: 0.2W/0.1W, 45mm: 0.25W/0.125W,  
60mm: 0.2W/0.2W
  - Other Tapers.....15mm: 0.025W/0.012W, 20mm: 0.05W/0.025W  
30mm: 0.1W/0.05W, 45mm: 0.125W/0.06W,  
60mm: 0.1W/0.1W

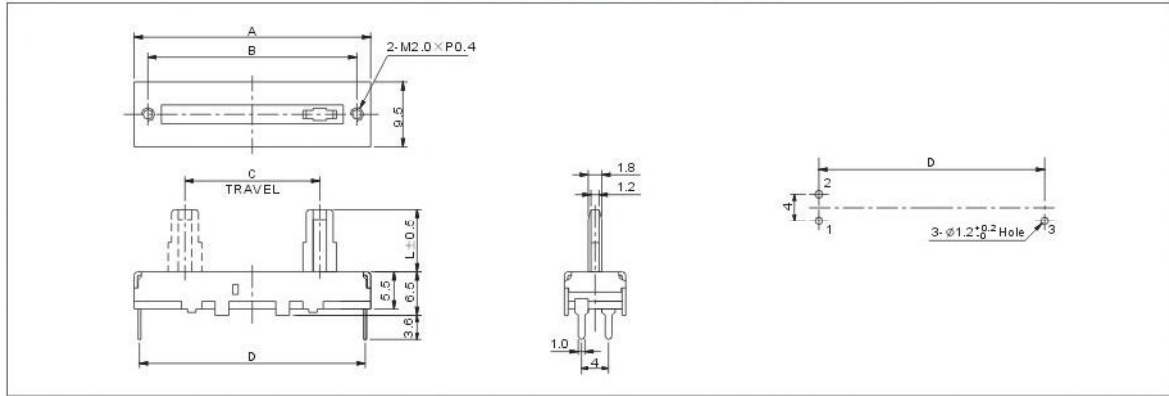
### Mechanical characteristics

- Detent torque (only center click ).....30gf~120gf
- Slide torque.....10gf~100gf
- Stopper Strength.....5.0Kgf.cm Min(from the base level to a point of 2mm)
- Center Detent Force.....30gf~200gf
- Level Wobble.....2(2×L)/20mm Max  
(L: Level Length both sides)
- Level Push-Pull Strength.....3.0Kgf Min. at 10Sec.

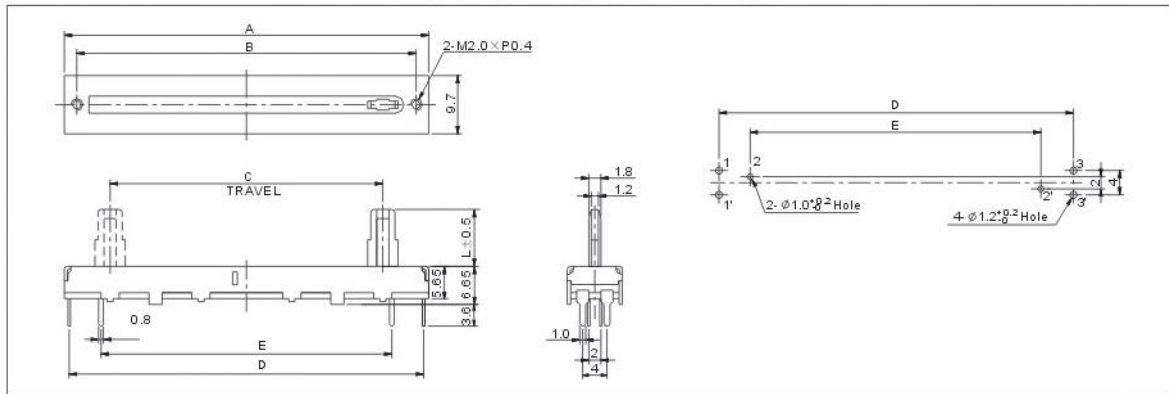
### Durability

- Sliding Life.....10,000 Cycles Min.

### FXX31N Series



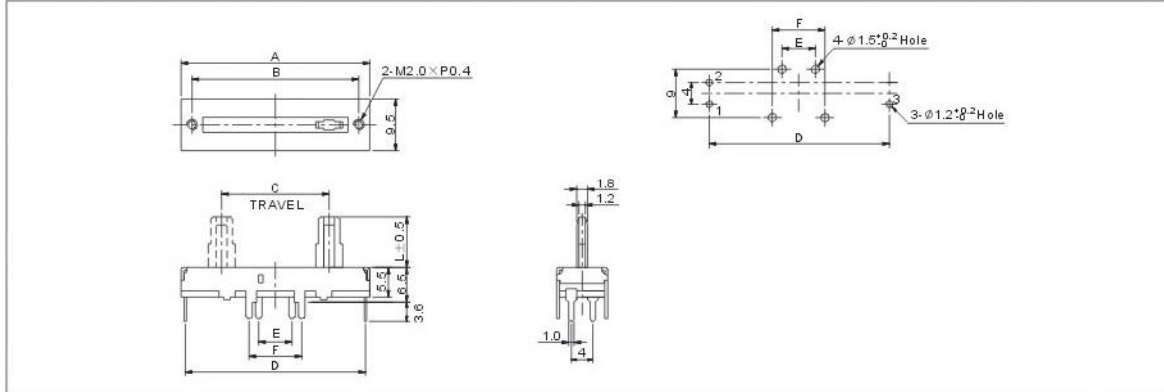
### FXX31G Series



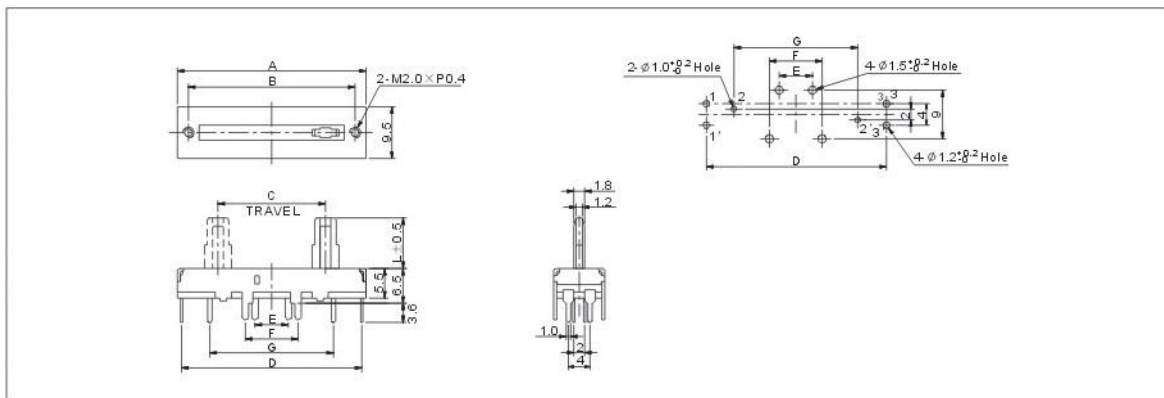
MODEL	A	B	C	D	E
1531N	30	26	15	28.8	
1531G	30	26	15	28.8	18
2031N	35	31	20	33.8	
2031G	35	31	20	33.8	23
3031N	45	41	30	43.8	
3031G	45	41	30	43.8	33
4531N	60	56	45	59	
4531G	60	56	45	59	48

TYPE	C-Type					C-Type					CA-Type					B-Type						
DIMENSIONS																						
	LENGTH	L	5				L	10	12.5	15	18	20	L	5	10				L	10		

### FXX31NA Series



### FXX31GA Series



MODEL	A	B	C	D	E	F	G
F2031NA	35	31	20	33.8	6.2	9.8	
F2031GA	35	31	20	33.8	6.2	9.8	23
F3031NA	45	41	30	43.8	16.2	19.8	
F3031GA	45	41	30	43.8	16.2	19.8	33

PLASTIC SLIDE ROD																							
TYPE	C-Type					C-Type				CA-Type			B-Type										
DIMENSIONS																							
	LENGTH	L	10	12.5	15	18	20	L	5				L	4	5	10			L	4	10		



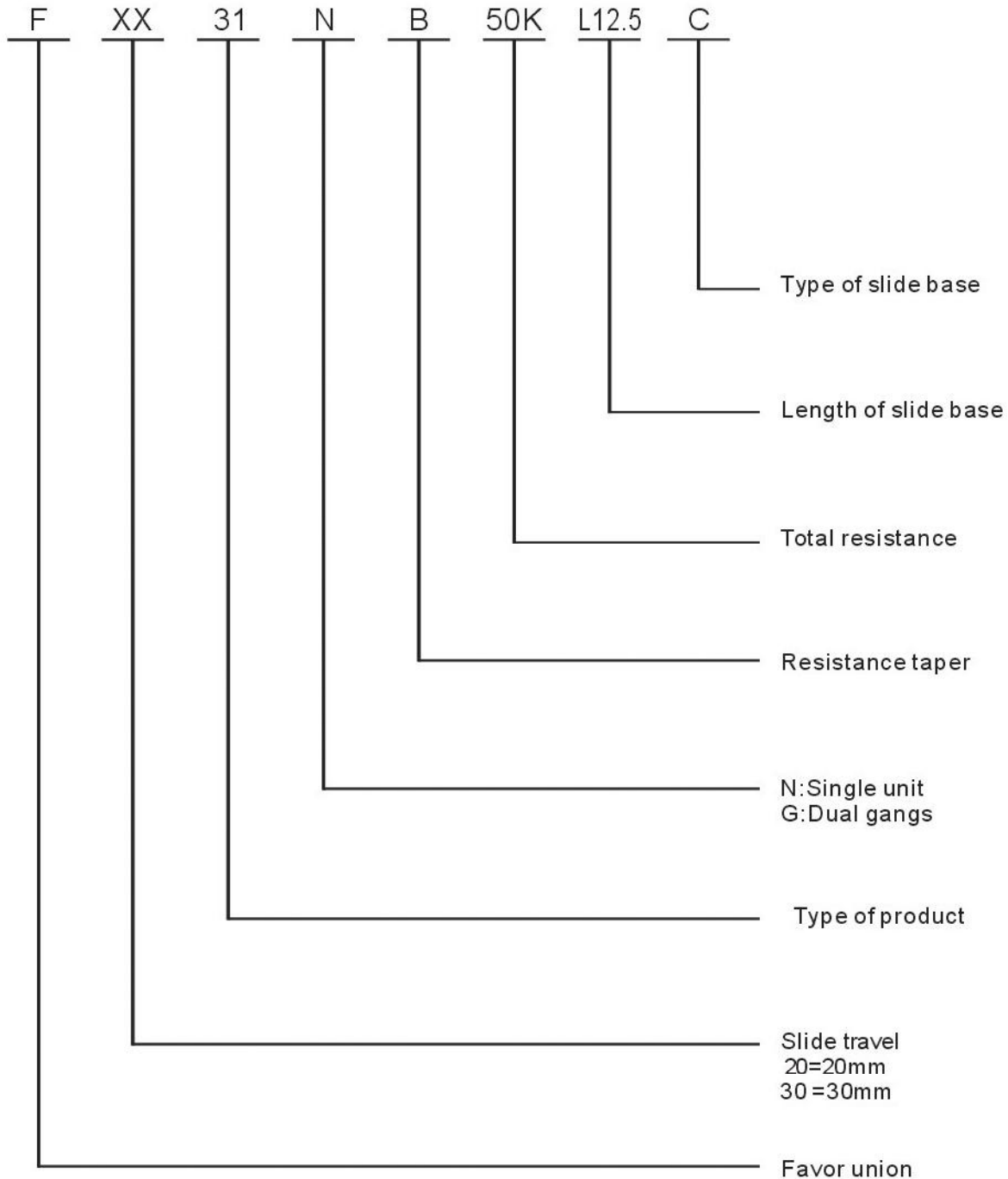
# FXX31 Series

## Slide Potentiometer



Rotary Potentiometer

### HOW TO ORDER



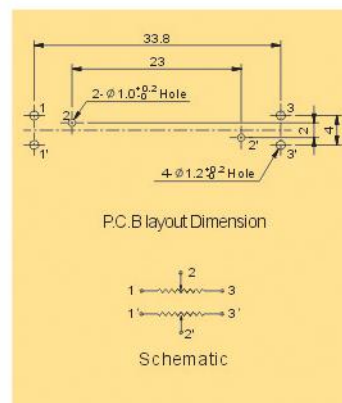
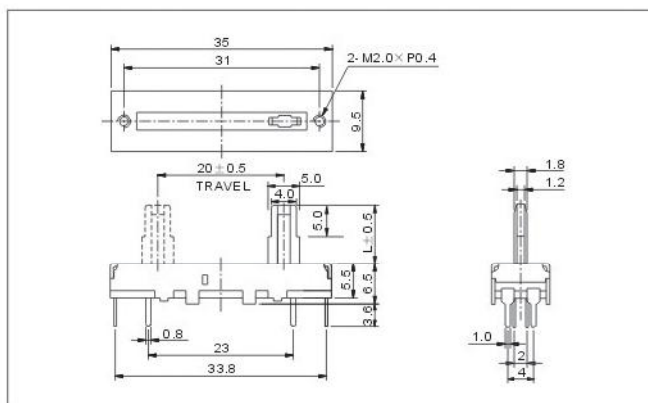


# FXX31 Series Slide Potentiometer



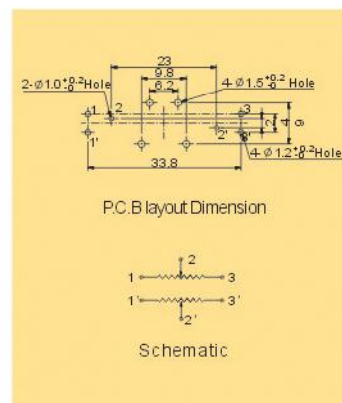
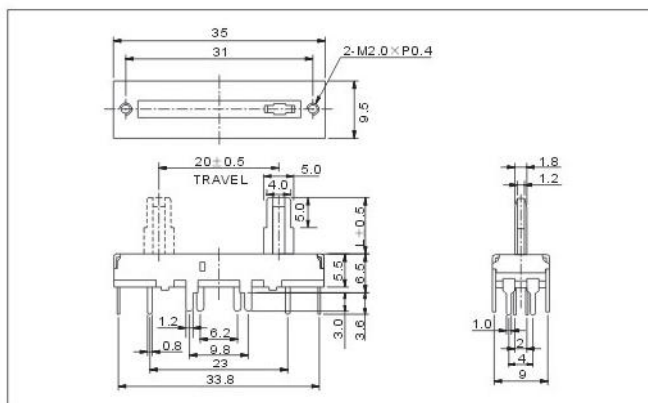
## F2031G

20mm, Standard Type,  
Dual Unit, Center Detent  
available



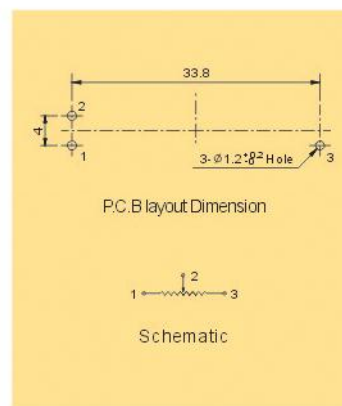
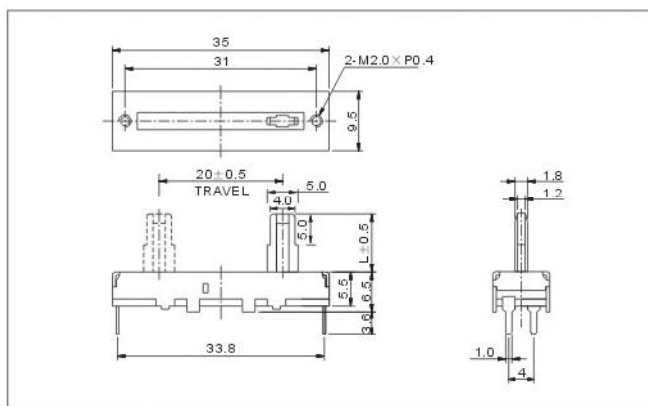
## F2031GA

20mm, Standard Type,  
Dual Unit, Center Detent  
available



## F2031N

20mm, Standard Type,  
Single Unit, Center Detent  
available



## F2031NA

20mm, Standard Type,  
Single Unit, Center Detent  
available

