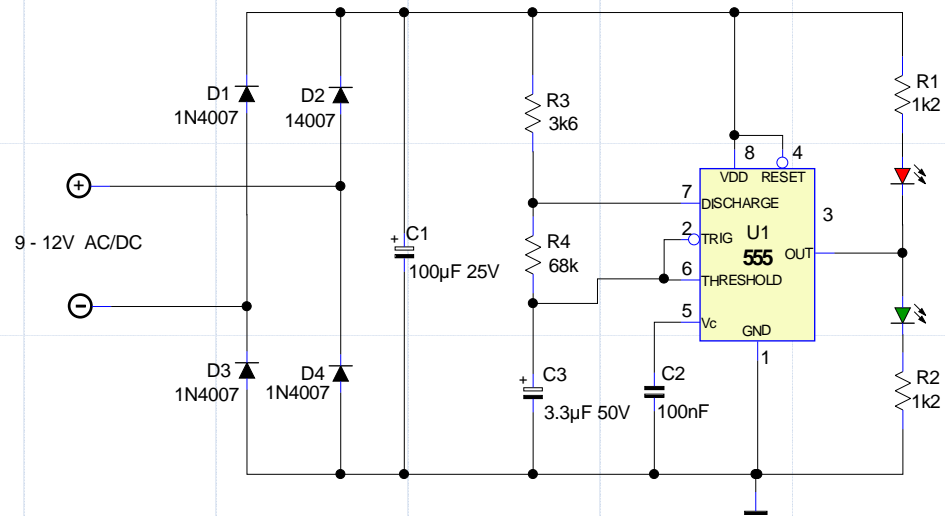


ASTABLE MULTIVIBRATOR



COMPANY
SCHEMATIC
DESIGNER

MANTECH ELECTRONICS (c) 2006

EIE41-001-V01

M MINSHULL

2 FEB 2026

REV 1.0

PAGE 1